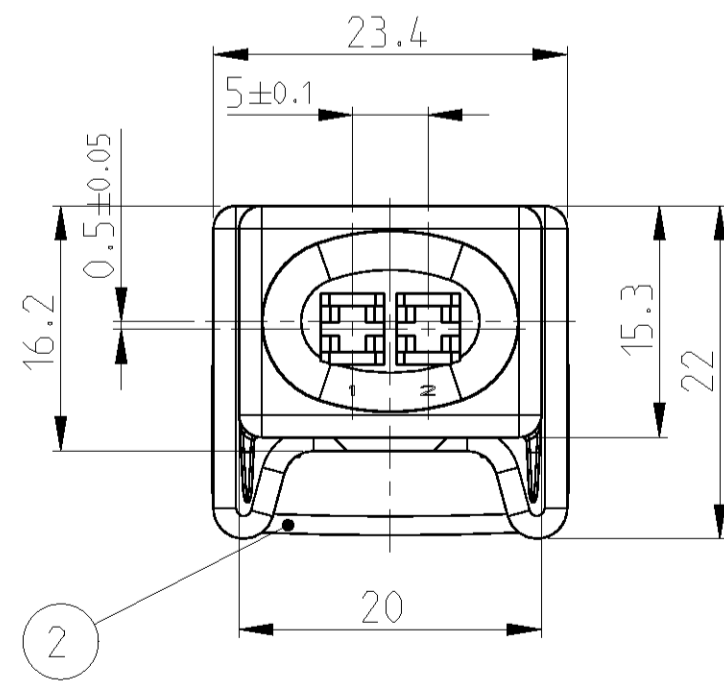
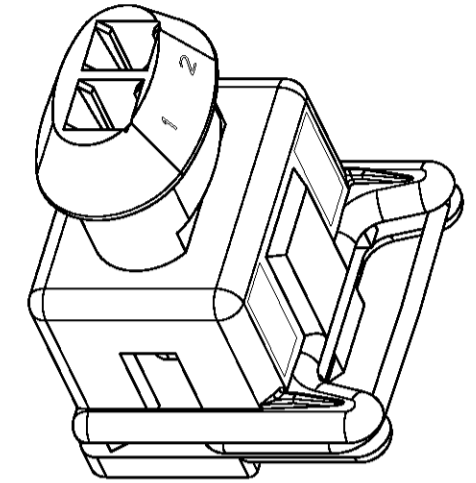
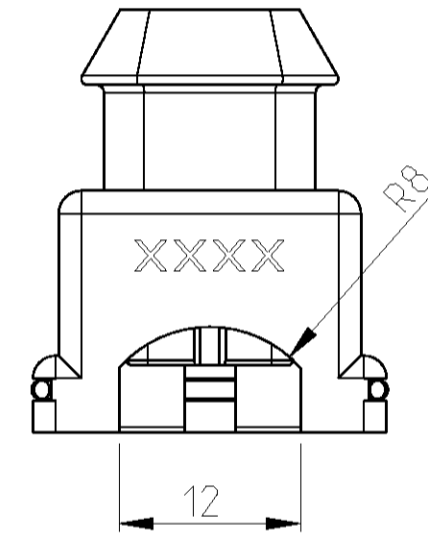
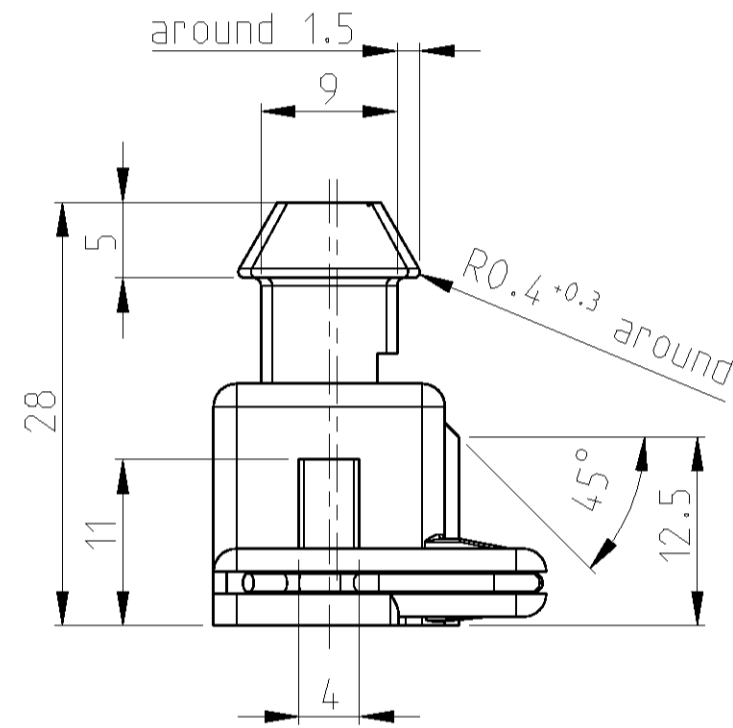
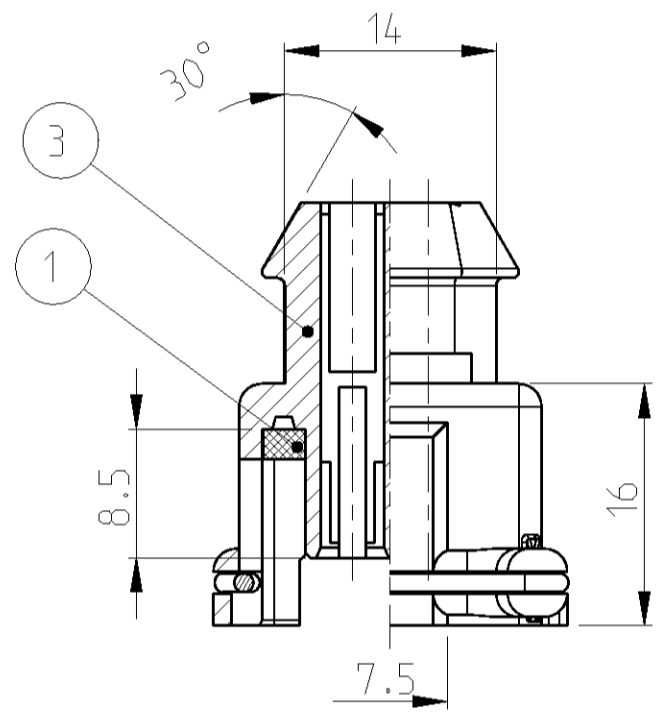
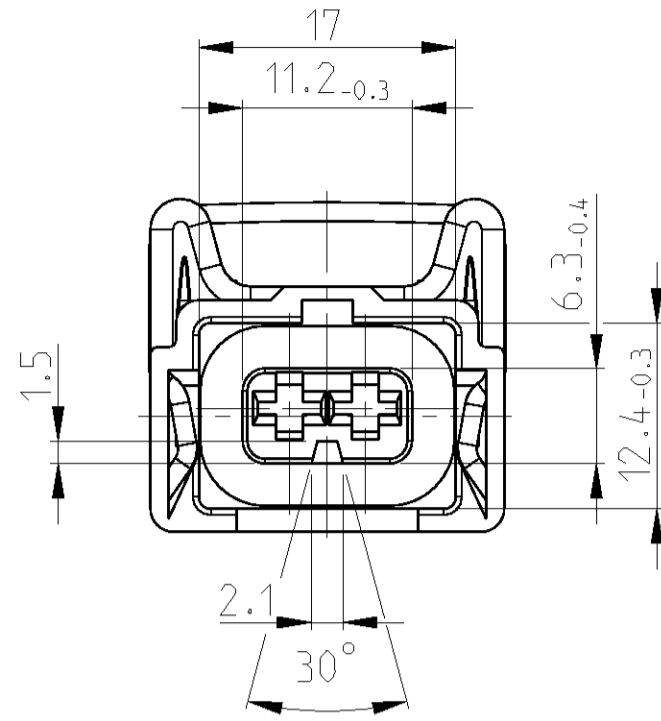


THIS DRAWING IS UNPUBLISHED. RELEASED FOR PUBLICATION 2006
 © COPYRIGHT BY ALL RIGHTS RESERVED.

LOC		DIST		REVISIONS			
P	LTR	DESCRIPTION	DATE	DWN	APVD		
A3		REVISED PER ECO-11-005150	28APR11	RK	HMR		



828 657-8	828 657-7	828 657-6	828 657-5	828 657-4	828 657-3	828 657-2	828 657-1	PART-NO.	DESCRIPTION	ITEM NO.	MATERIAL	COLOR
1								928 554-8		3	YELLOW	
	1							928 554-7		3	RED	
		1						928 554-6		3	GREEN	
			1					928 554-5		3	BLUE	
				1				928 554-4		3	BROWN	
					1			928 554-3		3	BLACK	
						1		928 554-2		3	GREY	
							1	928 554-1		3	NATURAL	
	1	1	1	1	1	1	1	827 547-1	SPRING	2	DIN 2076	
	1	1	1	1	1	1	1	825 383-1	SEALING	1	NEOPRENE	
									2 POS. HOUSING		PA 6.6 GFV 30	

DWN Drott 13MAR1986		STE TE Connectivity	
CHK Wending			
APVD Bleicher, M. 25AUG2006		NAME 2POS. HSG. FOR JUNIOR-POWER-TIMER CONTACT	
PRODUCT SPEC		2 pol. Gehäuse für Junior-Power-Timer Kontakt	
APPLICATION SPEC		SIZE CAGE CODE DRAWING NO. RESTRICTED TO	
WEIGHT		A2 00779 C-828657	
CUSTOMER DRAWING		SCALE 2:1 SHEET 1 OF 1 REV A3	

DIMENSIONS:	TOLERANCES UNLESS OTHERWISE SPECIFIED:
mm	±0.3mm
	±2.5°
MATERIAL	FINISH