

Ratings

Voltage: 600 V
 Temperature: -40~105 °C
 Flammability: FT2

Conductor

Conductor count: 2
 Gauge: 16 AWG 1.31 mm²
 Material: tinned copper strands
 Strand size: $\phi 0.16 \times 65$
 Resistance at 20 °C: 15 Ω /km max

Insulator

Material: mPPE
 Color: red, black
 Diameter: $\phi 2.4 \pm 0.10$ mm
 Average thickness: 0.43 mm
 Minimum thickness: 0.34 mm
 Resistance at 20 °C: 100 M Ω /km min

Shield

Type: foil
 Material: aluminum mylar
 Coverage: 100%

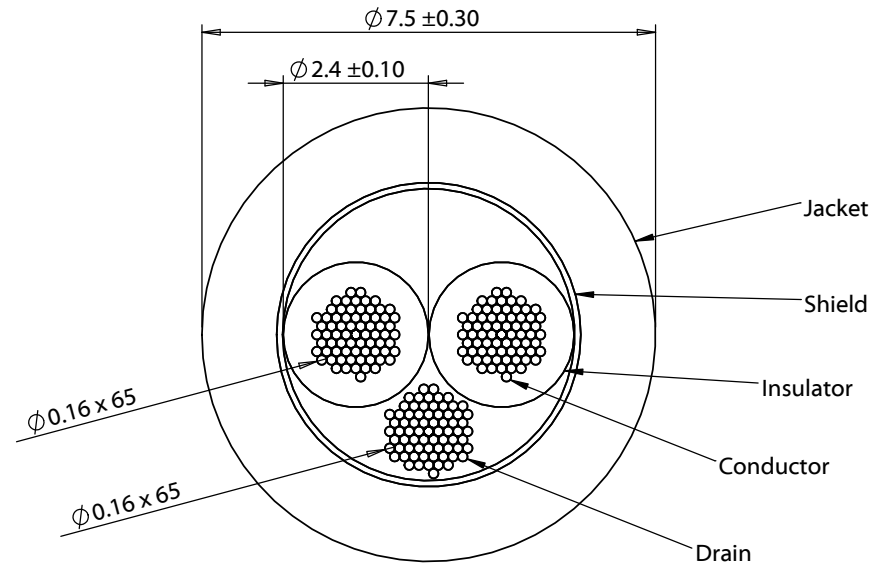
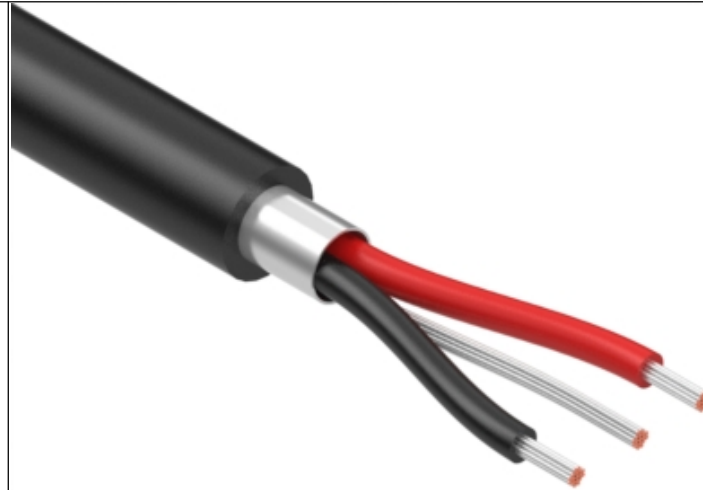
Outer jacket

Material: mPPE, 85A
 Color: black
 Diameter: $\phi 7.5 \pm 0.30$
 Average thickness: 1.3 mm
 Minimum thickness: 0.91 mm

Wire marking: E339579 UL AWM STYLE 21509 16 AWG 105°C
 600V --- cUL AWM I A 105°C 600V FT2 TENSILITY

Bend radius

Minimum: 6 times diameter (45 mm)



Revision:	Date:	Description:
A	4/20/2020	Initial release

Prepared:
JC
Digitally signed by JC
 Date: 2020.04.20
 11:45:31 -07'00'

Verified:
AW
Digitally signed by AW
 Date: 2020.04.20
 12:03:17 -07'00'

Dimensions are in millimeters.
 Tolerances:
 X: ± 0.5 mm
 X.X: ± 0.3 mm
 X.XX: ± 0.05 mm

Notes:
 RoHS compliant
 Phthalate and halogen free

Description:
 Wire, 2C TS, 16 AWG, 21509, 600V, 105C, 7.5 mm, shielded, FT2, mPPE

TENSILITY

tel 1.541.323.3228 800 877.670.7118
 fax 1.541.323.4202 web tensility.com

Size:	Part number:
A	30-01400
Scale: 8:1	Sheet 1 of 1