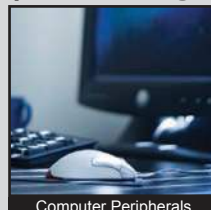
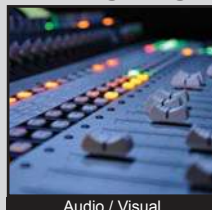


TL1014 SERIES TACT SWITCH

ANTI-VANDAL SWITCHES
DETECTOR SWITCHES
DIP SWITCHES
KEYLOCK SWITCHES
NAVIGATION SWITCHES
PUSHBUTTON SWITCHES
ROCKER SWITCHES
ROTARY SWITCHES
SLIDE SWITCHES
SNAP ACTION SWITCHES
TACTILE SWITCHES
TOGGLE SWITCHES
CAP OPTIONS



APPLICATIONS / MARKETS



RoHS

SPECIFICATIONS

Electrical Rating: 50mA @ 12VDC
Life Expectancy:
 160 gf: 200,000 cycles
 220 gf: 100,000 cycles
Contact Resistance: 100mΩ Max. Initial
Insulation Resistance: 100 MΩ Min. at 500V
Dielectric Strength: 250VAC for 1 min.
Operating/Storage Temperature: -40°C to 85°C
Operating Force: 160 gf, 220 gf
Travel:
 160 gf: 0.25mm
 220 gf: 0.30mm
Contact Arrangement: SPST

FEATURES & BENEFITS

- Tape & Reel packaging
- Multiple operating forces
- Surface mount termination
- Right angle design
- Subminiature in size

PART NUMBER CONFIGURATOR

Series	Boss	Actuation Force	Contact Plating	Termination
<input type="checkbox"/> <input type="checkbox"/> <input type="checkbox"/> <input type="checkbox"/> <input type="checkbox"/> <input type="checkbox"/> TL1014	<input type="checkbox"/> A - No boss B - Boss	<input type="checkbox"/> <input type="checkbox"/> <input type="checkbox"/> <input type="checkbox"/> F160 - 160 gf F220 - 220 gf	<input type="checkbox"/> Q - Silver	<input type="checkbox"/> G - Gullwing

Specifications subject to change without notice



E-SWITCH®

www.e-switch.com

800.867.2717

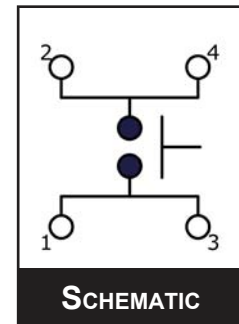
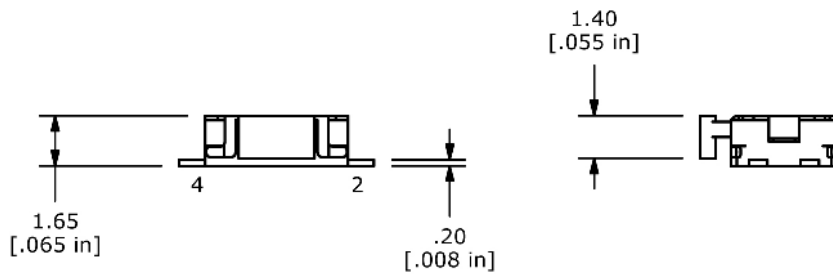
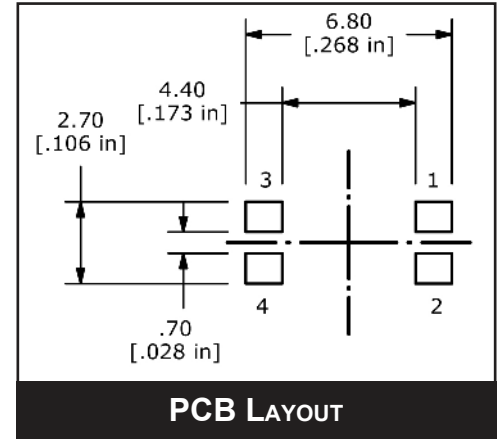
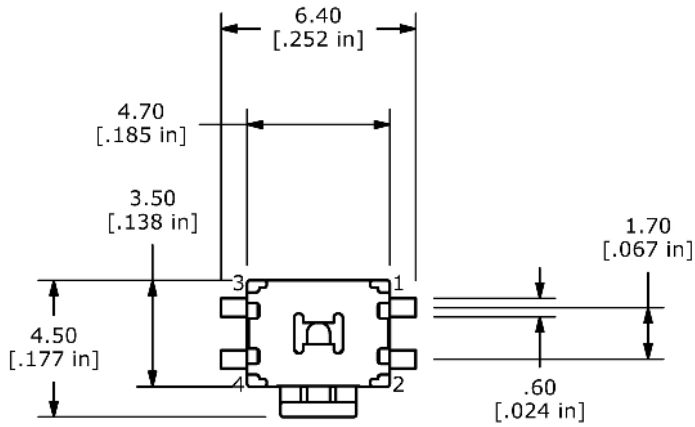
2

TL1014 SERIES TACT SWITCH

ANTI-VANDAL SWITCHES
 DETECTOR SWITCHES
 DIP SWITCHES
 KEYLOCK SWITCHES
 NAVIGATION SWITCHES
 PUSHBUTTON SWITCHES
 ROCKER SWITCHES
 ROTARY SWITCHES
 SLIDE SWITCHES
 SNAP ACTION SWITCHES
 TACTILE SWITCHES
 TOGGLE SWITCHES
 CAP OPTIONS

BODY DIMENSIONS

A - No Boss



B - With Boss

