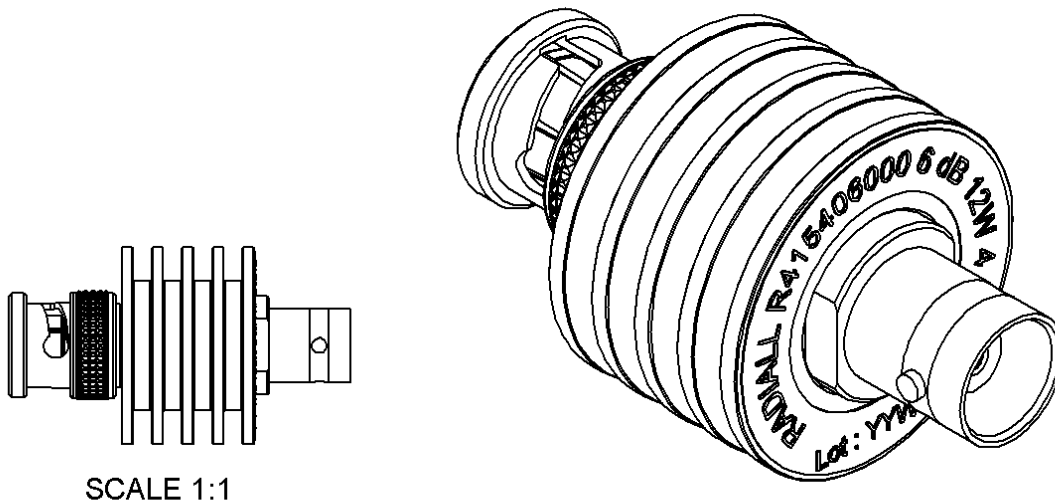
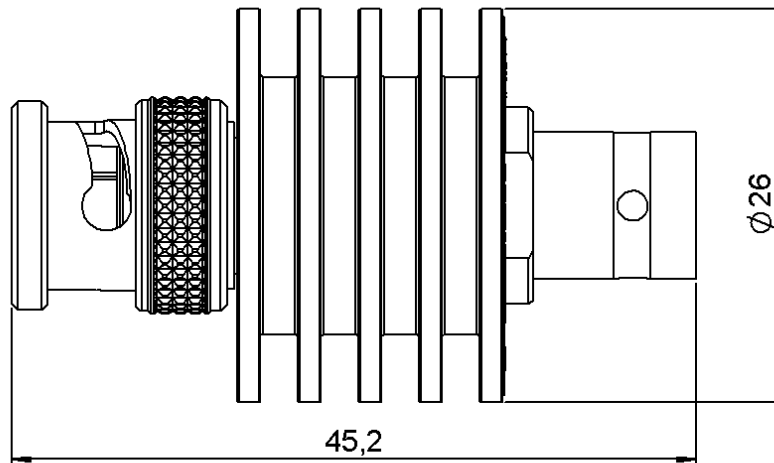


**BNC ATTENUATOR**  
**6 DB 4 GHZ 12W**

**R415.406.000**  
Series : ATTENUATOR



All dimensions are in mm.



COMPONENTS	MATERIALS	PLATING(µm)
BODY	BRASS	NICKEL 5
MALE CENTER CONTACT	BRASS	GOLD 2.5 OVER NICKEL 1
FEMALE CENTER CONTACT	BERYLLIUM COPPER	GOLD 2.5 OVER NICKEL 1
OUTER CONTACT		
INSULATOR	PTFE	
GASKET	SILICONE RUBBER	
SUBSTRATE	ALUMINIUM NITRIDE	
RESISTOR	THIN FILM	
OTHERS PARTS	ALUMINIUM	BLACK ANODIZATION

Issue : 0829 A

In the effort to improve our products, we reserve the right to make changes judged to be necessary.



**BNC ATTENUATOR**  
**6 DB 4 GHZ 12W**

**R415.406.000**  
Series : ATTENUATOR

**ELECTRICAL CHARACTERISTICS4**

Frequency (GHz)	DC - 4
V.S.W.R (≤)	1.30
Deviation(±dB)	0.50

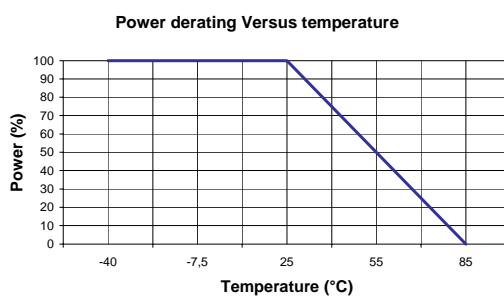
Operating Frequency Range	DC - 4	GHz
Impedance	50	Ω
Nominal Attenuation	6	dB
Peak power at 25°C (1μs, 1%)	250	W
Average power at 25°C	12	W (Free Air Cooled)
		W (Conduction Cooled)

**MECHANICAL CHARACTERISTICS**

Connectors	BNC	Male Female	MIL-C 39012
Weight	37,1200 g		

**ENVIRONMENTAL CHARACTERISTICS**

Operating temperature range	-55 /+125 °C
Storage temperature range	-55 /+125 °C



**SPECIFICATION**

**OTHER CHARACTERISTICS**

Issue : 0829 A

In the effort to improve our products, we reserve the right to make changes judged to be necessary.

