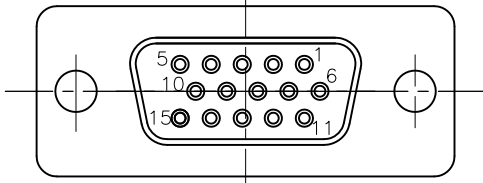
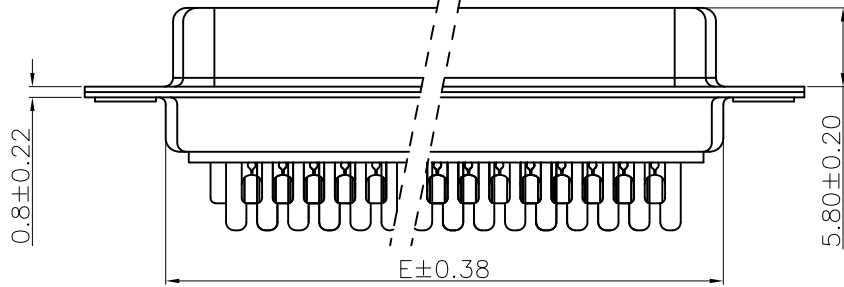


FOR 26/44P

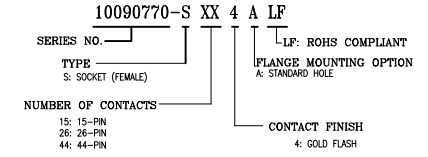
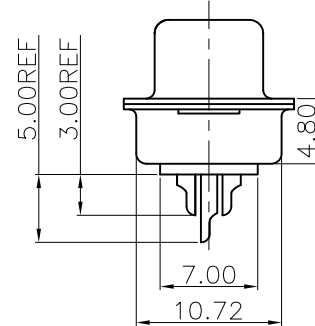


FOR 15P

POS.	PART NO.	A	B	C	D	E
15	10090770-S154ALF	30.81	24.99	16.33	2.29	19.10
26	10090770-S264ALF	39.24	33.32	24.66	2.29	27.75
44	10090770-S444ALF	53.04	47.04	38.38	2.29	41.30

REMARK:

- CHARACTERISTICS:
  - RATED VOLTAGE: 250V
  - RATED CURRENT: 2.5AMP
  - CONTACT RESISTANCE: 25mohms MAX. INITIAL, 40mohms MAX. AFTER.
  - INSULATION RESISTANCE: 5000Mohms MIN. at 500V DC
  - DIELECTRIC STRENGTH: 750VRMS
  - OPERATING TEMPERATURE RANGE: -55°C ~105°C
  - INSERTION/EXTRACTION FORCE PER CONTACT: 5N Max. /0.2N Min.
  - MATING/UNMATING CYCLES: 50MATING MIN FOR GOLD-FLASH
- MATERIAL:
  - INSULATORS: THERMOPLASTIC G.F(UL94V-0) BLACK
  - CONTACTS: COPPER ALLOY, GOLD(G/F) TOP OVER CONTACT AREA, 100u" Min MATTE TIN TOP OVER SOLDER AREA, 50u" Min NICKEL UNDER PLATE.
  - SHELL: CARBON STEEL, 100u" Min NICKEL TOP OVER, 50u" Min COPPER UNDER PLATE.
- PART NUMBER DESCRIPTION:



POS.	WIRE AWG
15	24~28
26	24~28
44	24~28

mat'l. code				surface		tolerance		projection		product family		
SEE NOTES				ISO 1302	ISO 406	ISO 1101	MM		D-SUB			
ltr	ecn no	dr	date	tolerances unless otherwise specified		MM		title		H/D D-SUB FEMALE SOLDER BUCKET		
D	ELX-I-20972	AB	2015/05/30	angles	.X ± 0.38	scale 1:1		-		-		
-	-	-	-	lineal	.XX ± 0.25	FCI		dwg no		sheet 1 of 1 size		
-	-	-	-	0° ± 2'	.XXX ± 0.10	-		10090770		A4		
-	-	-	-	dr	JASON HSU	12/10/09	-		type		PRODUCT_CUSTOMER Drawing	
-	-	-	-	engr	ALIAS BABU	2015/05/30	-		-		-	
-	-	-	-	chr	MITHUN PAUL	2015/05/30	-		-		-	
-	-	-	-	appd	BIJU K PAUL	2015/05/30	-		-		-	
sheet index	revision sheet	D	-	-	-	-	-	-	-	-	-	-
1	1	-	-	-	-	-	-	-	-	-	-	-