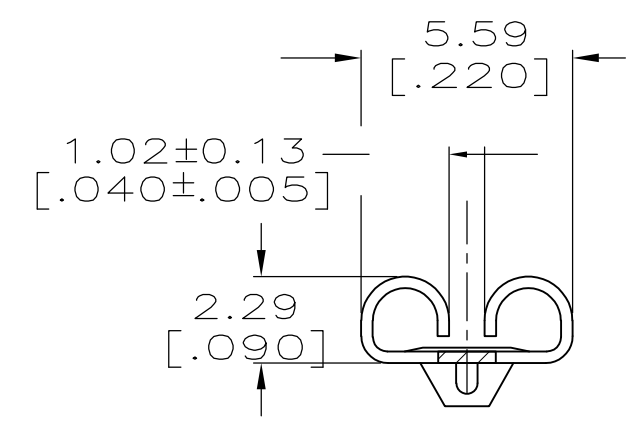
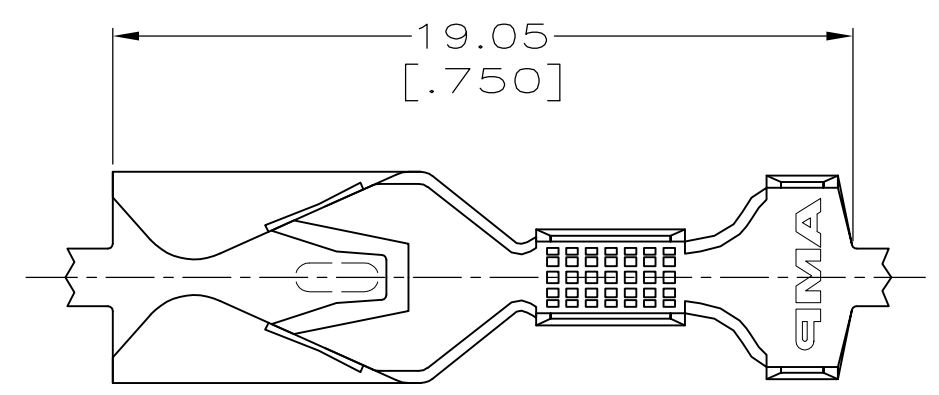


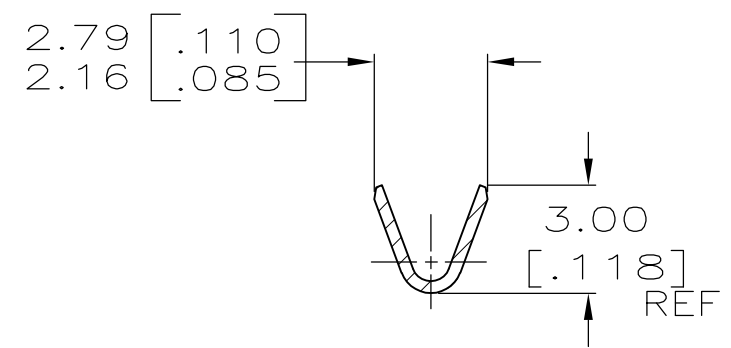
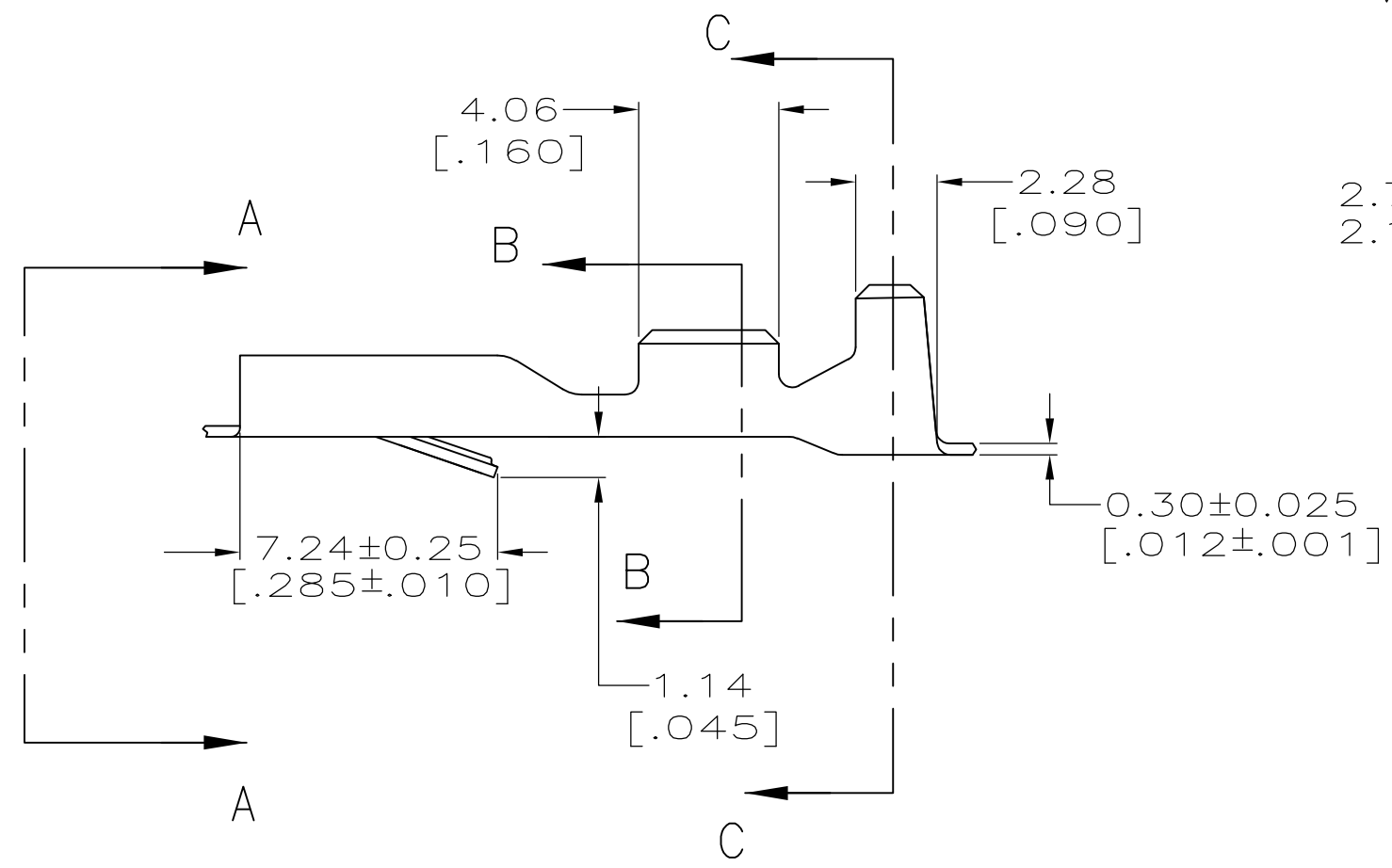
THIS DRAWING IS UNPUBLISHED. RELEASED FOR PUBLICATION
 © COPYRIGHT - By - ALL RIGHTS RESERVED.

LOC	DIST	REVISIONS			
P	LTR	DESCRIPTION	DATE	DWN	APVD
AF	50	H	REVISED PER ECR-13-005733	27AUG2013	KH PD

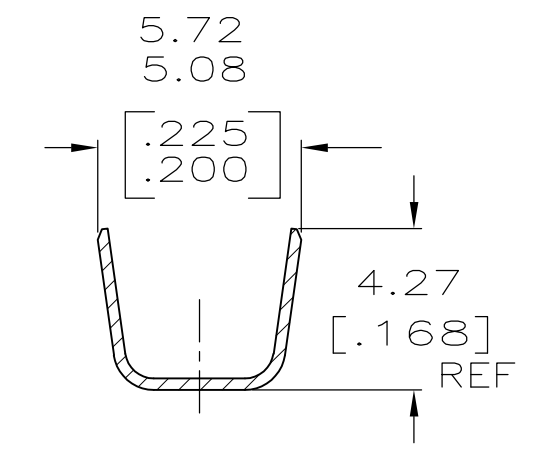


- CONTINUOUS STRIP ON REELS.
- TO BE USED WITH 60434 AND HOUSING 480252.
- MAY BE USED WITH INDIVIDUAL 4.75 X 0.51 [0.187 X 0.020] THK TAB.
- WIRE SIZE IS [#20-#16] AWG.
- INSULATION RANGE IS 2.29-3.30 [0.090-0.130] DIA. OR TWO AT 2.79 [0.110] MAX.

VIEW A-A



SECTION B-B



SECTION C-C

60435-1
PART NO.

THIS DRAWING IS A CONTROLLED DOCUMENT.		DWN	JR RUTH	3/6/97	TE Connectivity RECEPTACLE, FASTIN-FASTON, 4.75 [0.187] SERIES
DIMENSIONS: mm [INCHES]		CHK	MS FEHER	3/6/97	
TOLERANCES UNLESS OTHERWISE SPECIFIED:		APVD	J GILLESPIE	3/6/97	
0 PLC ± - 1 PLC ± - 2 PLC ± 0.38 [0.015] 3 PLC ± - 4 PLC ± - ANGLES ± -		PRODUCT SPEC		NAME	
MATERIAL	BRASS	FINISH	PRE-TIN	WEIGHT	-
CUSTOMER DRAWING		SIZE	A3	CAGE CODE	00779
SCALE		5:1	DRAWING NO	C-60435	RESTRICTED TO
SHEET		1 OF 1	REV	H	