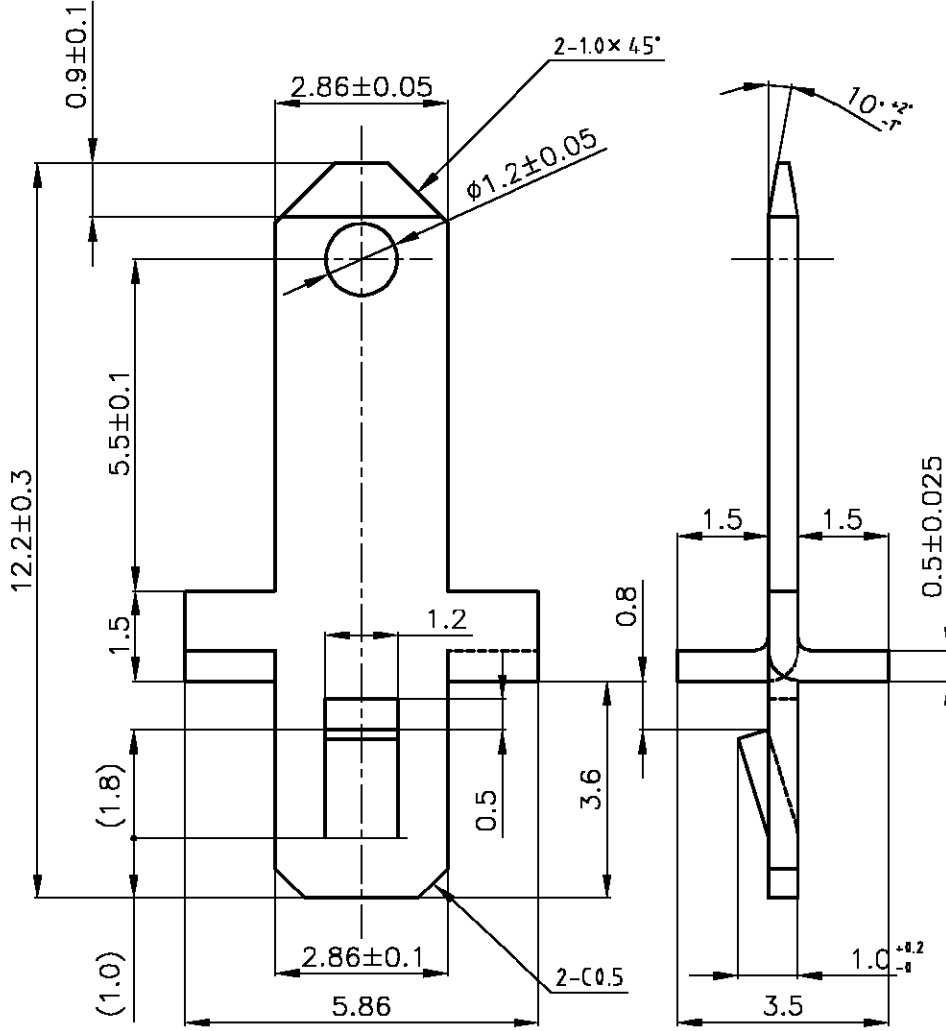


LOC	DIST	REVISONS					
J	—	P	LTR	DESCRIPTION	DATE	DWN	APVD
		0	RELEASED	FJ00-1948-01	31AUG'01	Y.Y	Y.K

注記 :

1. 本製品の旧管理型番は3172-0である。



BRASS WITH TIN PLATING	1565048-1
MATERIAL & FINISH	P/N

THIS DRAWING IS UNPUBLISHED.

RELEASED FOR PUBLICATION

ALL RIGHTS RESERVED.

BY TYCO ELECTRONICS CORPORATION.

© COPYRIGHT

DIMENSIONS:
単位: 特
MM

TOLERANCES UNLESS OTHERWISE SPECIFIED:
一般公差
±0.1

DWN	Y.YAMADA	31AUG'01
CHK	M.SHINDO	31AUG'01
APVD	Y.KASHIWA	31AUG'01
PRODUCT SPEC	製品規格	
APPLICATION SPEC	取付適用規格	
WEIGHT		

MATERIAL	SEE TABLE	FINISH	仕上
AMP Tyco Electronics AMP K.K. Kawasaki, Japan			
NAME 名称 "110" SERIES TAB (TYPE 0)			
SIZE	CAGE CODE	DRAWING NO	RESTRICTED TO
A4	00779	1565048	—
CUSTOMER DRAWING			SCALE 尺度
			FREE
SHEET		1 OF 1	REV
			0