



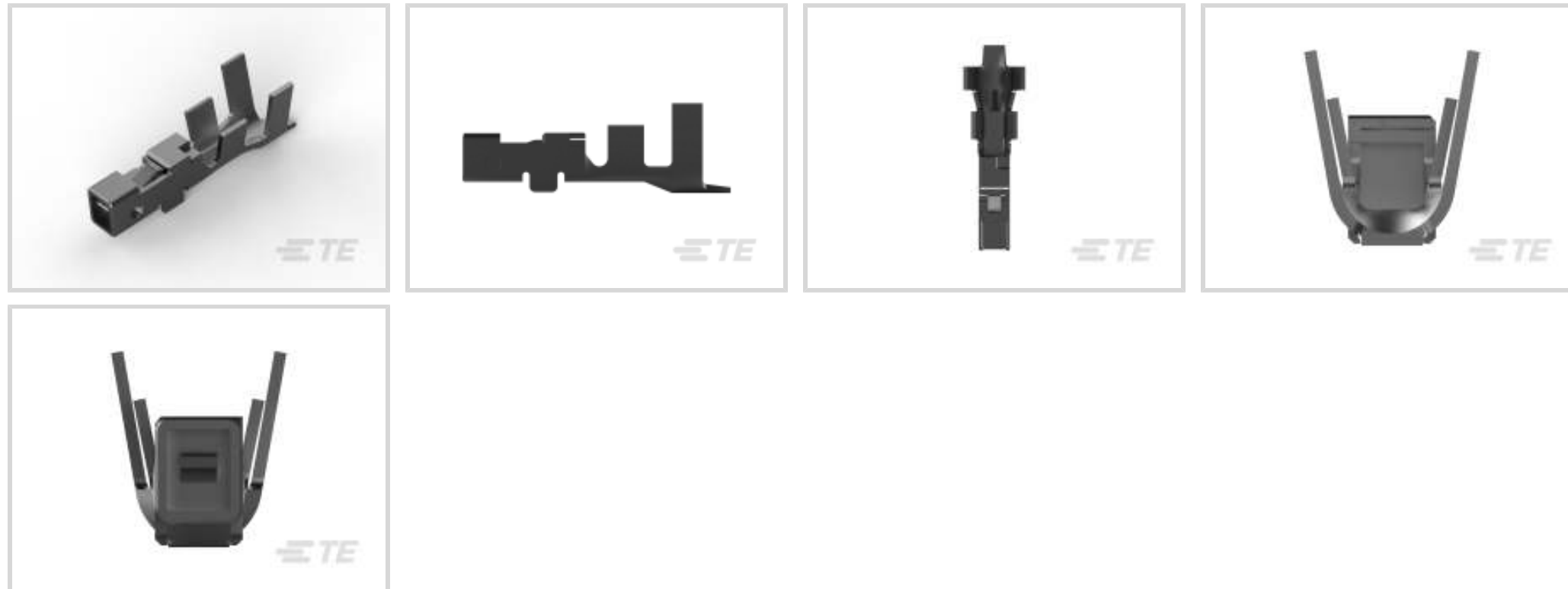
GRACE INERTIA 2.5

TE Internal #: 2134384-1

Connector Contacts, Receptacle, Tin, Pre-Tin, 50 VAC, 50 VDC,
 Locking Lance Contact Retention, Discrete Wire, 22 – 18 AWG Wire
 Size, GRACE INERTIA 2.5

[View on TE.com >](#)

Connectors > Rectangular Connectors > Connector Contacts



Contact Type: **Receptacle**

Contact Mating Area Plating Material: **Tin**

Wire Contact Termination Area Plating Material: **Pre-Tin**

Operating Voltage: **50 VDC**

Features

Product Type Features

Discrete Wire Type	Stranded
Connector & Contact Terminates To	Wire & Cable

Configuration Features

Compatible With Wire & Cable Type	Discrete Wire
-----------------------------------	---------------

Electrical Characteristics

Operating Voltage	50 VDC
-------------------	--------

Contact Features

Contact Shape & Form	Square
	.338 in
Barrel Type	Open
Contact Type	Receptacle
Contact Mating Area Plating Material	Tin
Wire Contact Termination Area Plating Material	Pre-Tin
Contact Retention Within Housing	With



Contact Base Material	Copper Alloy
-----------------------	--------------

Contact Current Rating (Max)	3.5 A
------------------------------	-------

Termination Features

Termination Method to Wire & Cable	Crimp
------------------------------------	-------

Mechanical Attachment

Contact Retention Type Within Housing	Locking Lance
---------------------------------------	---------------

Dimensions

Compatible Insulation Diameter Range	1.4 – 2.2 mm [.055 – .087 in]
--------------------------------------	-------------------------------

Wire Size	.34 – .86 mm ²
-----------	---------------------------

Usage Conditions

Operating Temperature Range	-30 – 105 °C [-22 – 221 °F]
-----------------------------	-----------------------------

Operation/Application

For Multiple Crimp	No
--------------------	----

Circuit Application	Power
---------------------	-------

Packaging Features

Packaging Quantity	8000
--------------------	------

Packaging Method	Reel
------------------	------

Product Compliance

[For compliance documentation, visit the product page on TE.com>](#)

EU RoHS Directive 2011/65/EU	Compliant
------------------------------	-----------

EU ELV Directive 2000/53/EC	Compliant
-----------------------------	-----------

China RoHS 2 Directive MIIT Order No 32, 2016	No Restricted Materials Above Threshold
---	---

EU REACH Regulation (EC) No. 1907/2006	Current ECHA Candidate List: JUNE 2023 (235) Candidate List Declared Against: JAN 2023 (233) Does not contain REACH SVHC
--	--

Halogen Content	Low Halogen - Br, Cl, F, I < 900 ppm per homogenous material. Also BFR/CFR/PVC Free
-----------------	---

Solder Process Capability	Not applicable for solder process capability
---------------------------	--

Product Compliance Disclaimer



This information is provided based on reasonable inquiry of our suppliers and represents our current actual knowledge based on the information they provided. This information is subject to change. The part numbers that TE has identified as EU RoHS compliant have a maximum concentration of 0.1% by weight in homogenous materials for lead, hexavalent chromium, mercury, PBB, PBDE, DBP, BBP, DEHP, DIBP, and 0.01% for cadmium, or qualify for an exemption to these limits as defined in the Annexes of Directive 2011/65/EU (RoHS2). Finished electrical and electronic equipment products will be CE marked as required by Directive 2011/65/EU. Components may not be CE marked. Additionally, the part numbers that TE has identified as EU ELV compliant have a maximum concentration of 0.1% by weight in homogenous materials for lead, hexavalent chromium, and mercury, and 0.01% for cadmium, or qualify for an exemption to these limits as defined in the Annexes of Directive 2000/53/EC (ELV). Regarding the REACH Regulation, the information TE provides on SVHC in articles for this part number is based on the latest European Chemicals Agency (ECHA) 'Guidance on requirements for substances in articles' posted at this URL: <https://echa.europa.eu/guidance-documents/guidance-on-reach>

Compatible Parts

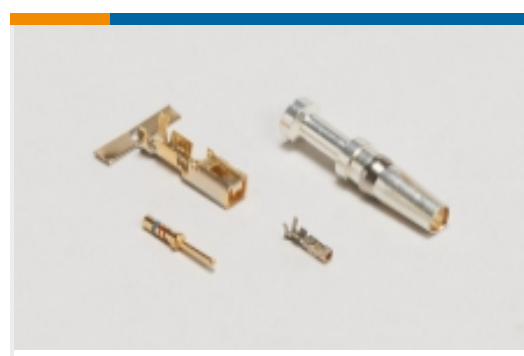


TE Part # CAT-G7534A-R2435
 Sig GRACE INERTIA Receptacle



TE Part # 1871859-2
 GIC 2.5 REC CONT TIN PLATE TYPE (MTYPE)

Also in the Series | GRACE INERTIA 2.5




Connector Contacts(2)




PCB Headers & Receptacles(138)




PCB Latches, Locks & Retainers(5)



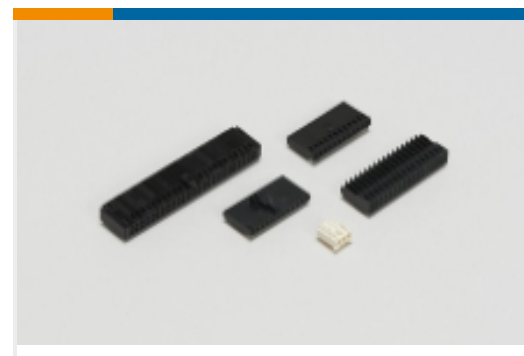
Rectangular Connector Housings(49)




Rectangular Connector Locking(2)



Rectangular Power Connectors(35)

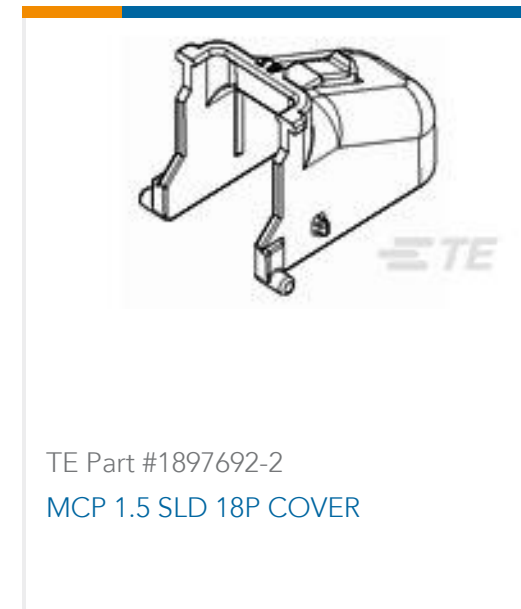
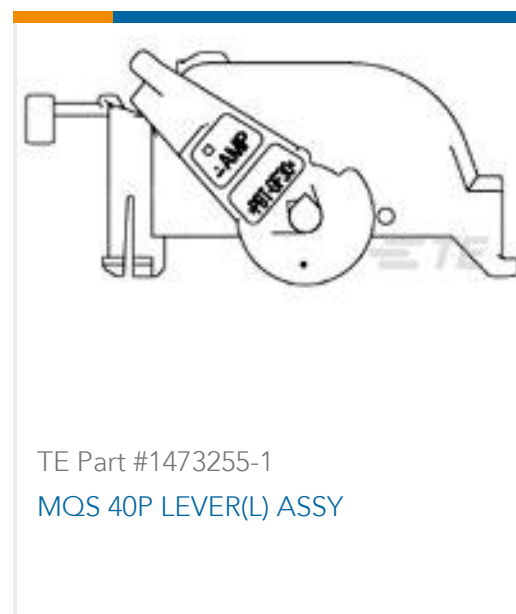


Wire-to-Board Connector Assemblies & Housings(46)



Wire-to-Board Connector Contacts(4)

Customers Also Bought



Documents

Product Drawings

GIC 2.5 REC CONT TIN PLATE TYPE (2L TYPE)

Japanese

CAD Files

3D PDF

3D

Customer View Model

[ENG_CVM_CVM_2134384-1_A_c-2134384-1-a.2d_dxf.zip](#)

English

Customer View Model

[ENG_CVM_CVM_2134384-1_A_c-2134384-1-a.3d_igs.zip](#)

English

Customer View Model

[ENG_CVM_CVM_2134384-1_A_c-2134384-1-a.3d_stp.zip](#)

English

By downloading the CAD file I accept and agree to the [Terms and Conditions](#) of use.

Product Specifications



[Application Specification](#)

English

[Application Specification](#)

English