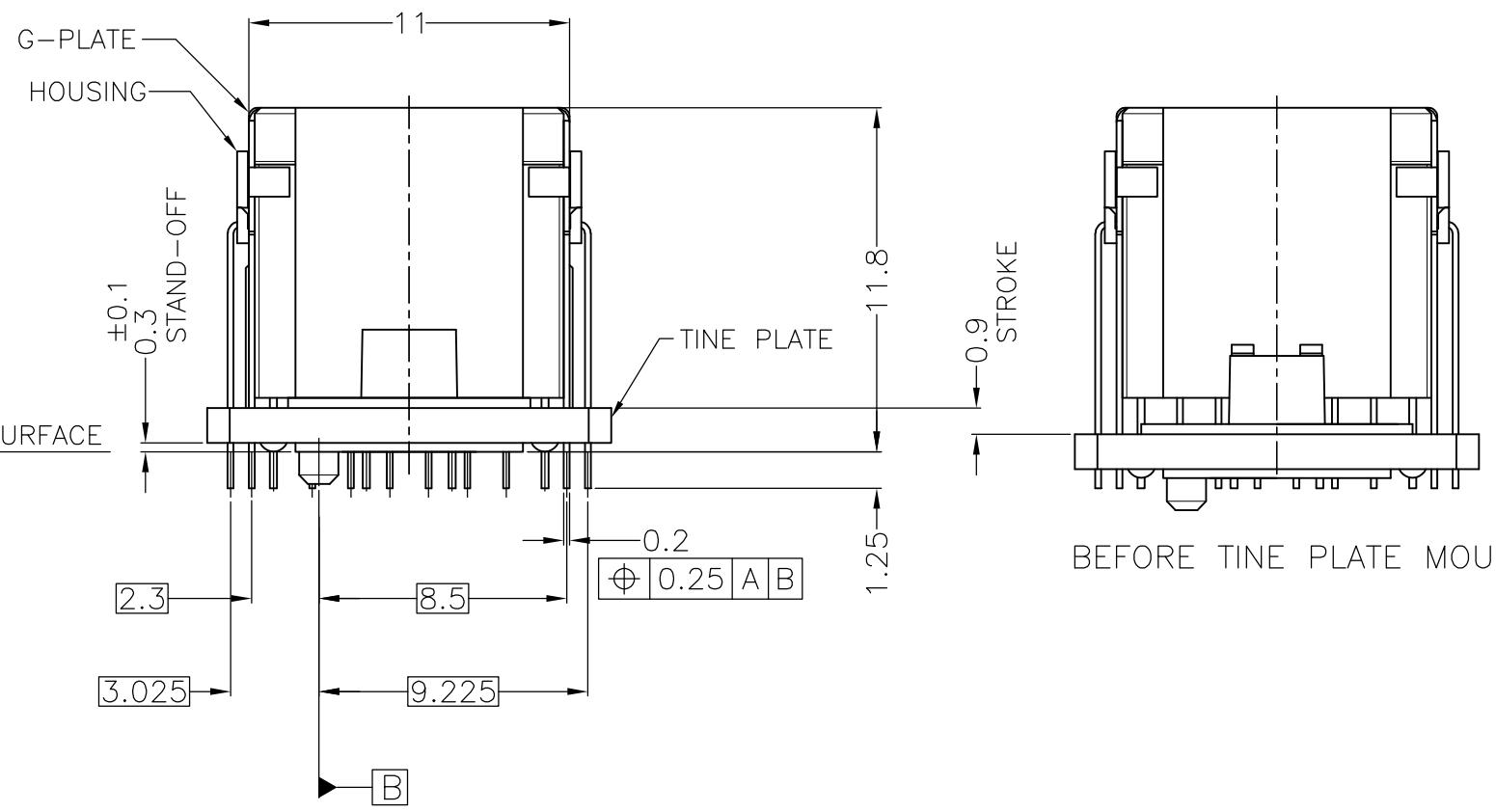
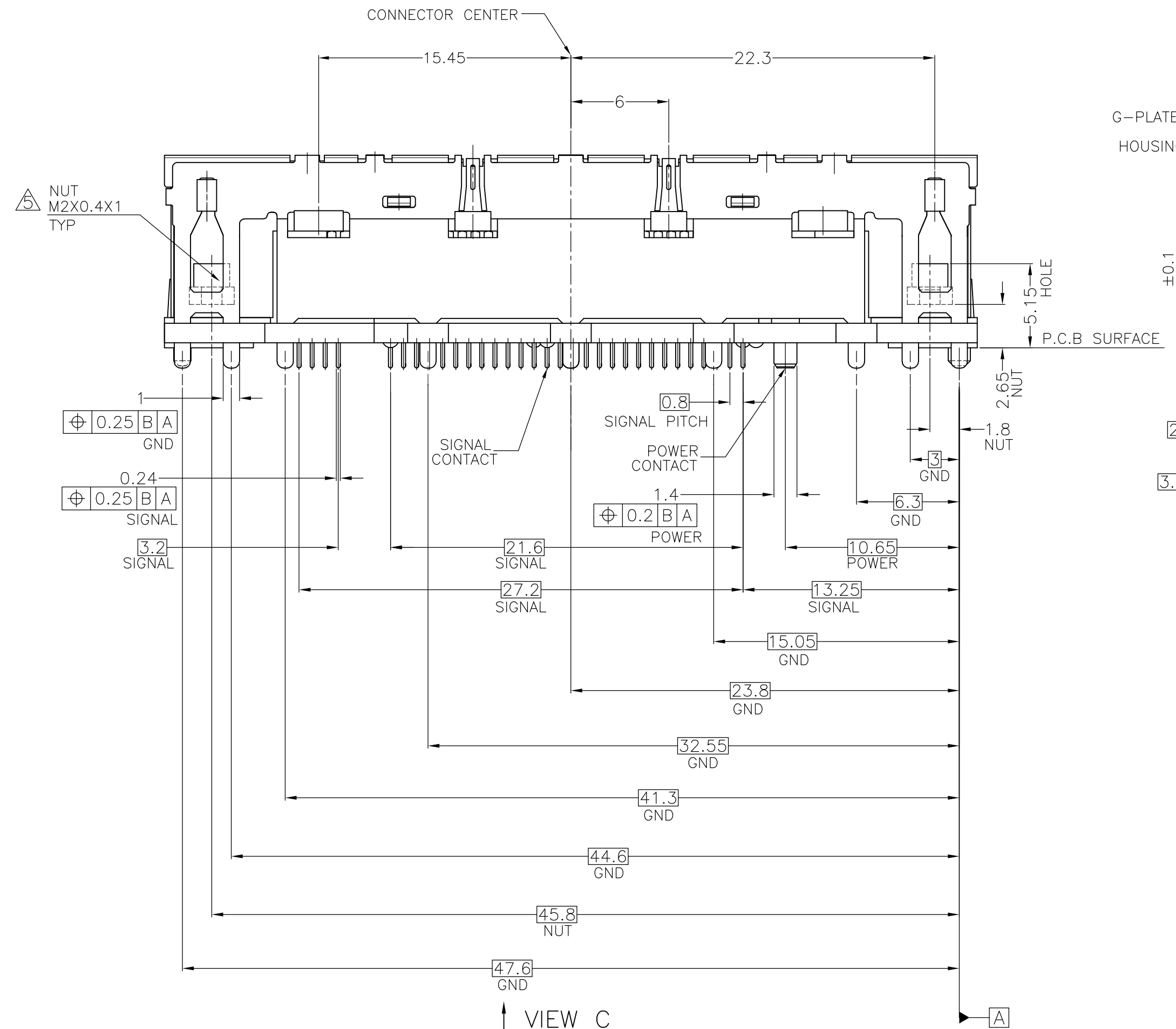
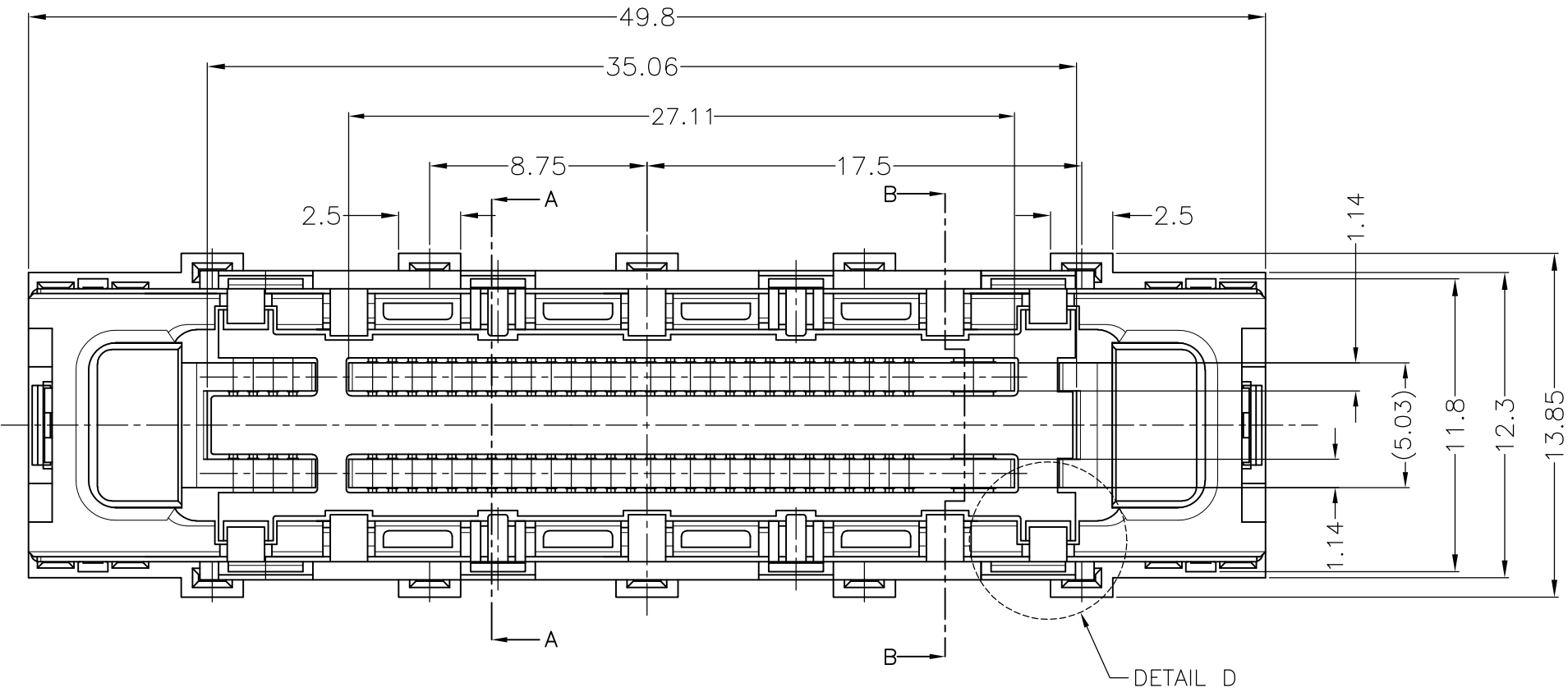


THIS DRAWING IS UNPUBLISHED. RELEASED FOR PUBLICATION .2005.  
 © COPYRIGHT 2005 BY TYCO ELECTRONICS CORPORATION. ALL RIGHTS RESERVED.

LOC		DIST		REVISIONS				
J				変更		DATE	DWN	APVD
				DESCRIPTION				
		A		RELEASED		12MAY2008	M.T	T.F



-1 ; AS SHOWN  
 THE NUMBER OF PINS  
 SIGNAL 112P  
 POWER 4P  
 SIGNAL 8P  
 VOID 20P

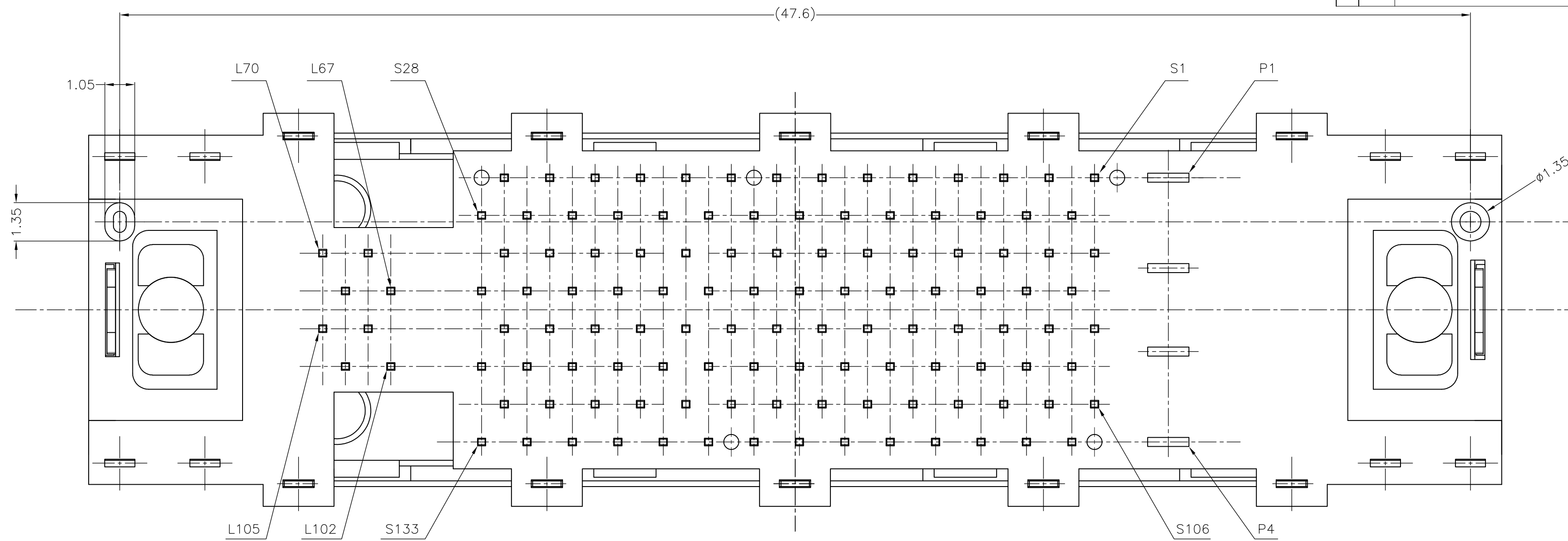
↑ VIEW C

GENERAL TOLERANCE  
 一般公差  
 10 ≥ ±0.2  
 30 ≥ > 10: ±0.25  
 100 ≥ > 30: ±0.3  
 ANGLES: ±3°

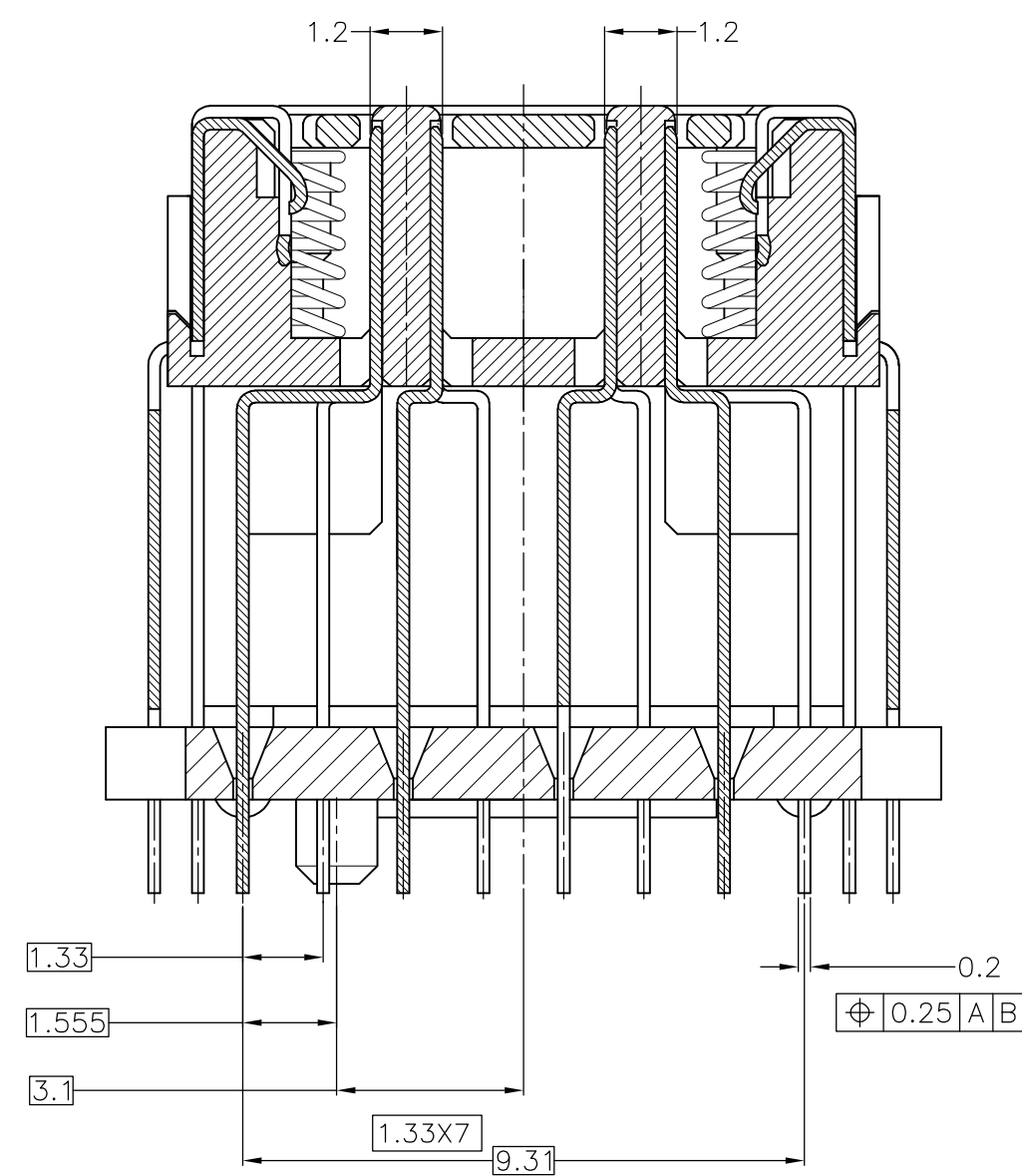
THIS DRAWING IS A CONTROLLED DOCUMENT.		DWN M.TANAKA 12MAY2008	Tyco Electronics Tyco Electronics Corporation Kawasaki, Japan
DIMENSIONS: 単位: 純 mm		CHK I.JGARASHI 12MAY2008	
TOLERANCES UNLESS OTHERWISE SPECIFIED 一般公差		APVD T.FUTATSUGI 12MAY2008	NAME 0.8 DOCKING CONNECTOR H=11.8 PLUG 140P/POWER 4P WITH SHUTTER
0 PLC ± 1 PLC ± 2 PLC ± 3 PLC ± 4 PLC ± ANGLES ±		APPLICATION SPEC. 取付適用規格	SIZE A2
MATERIAL 材料		FINISH 仕上	CAGE CODE 00779
		WEIGHT	DRAWING NO. C=2040928
		CUSTOMER DRAWING	
		SCALE 尺度 4:1	SHEET 1 of 4
		REV A	

THIS DRAWING IS UNPUBLISHED. RELEASED FOR PUBLICATION .2005.  
 © COPYRIGHT 2005 BY TYCO ELECTRONICS CORPORATION. ALL RIGHTS RESERVED.

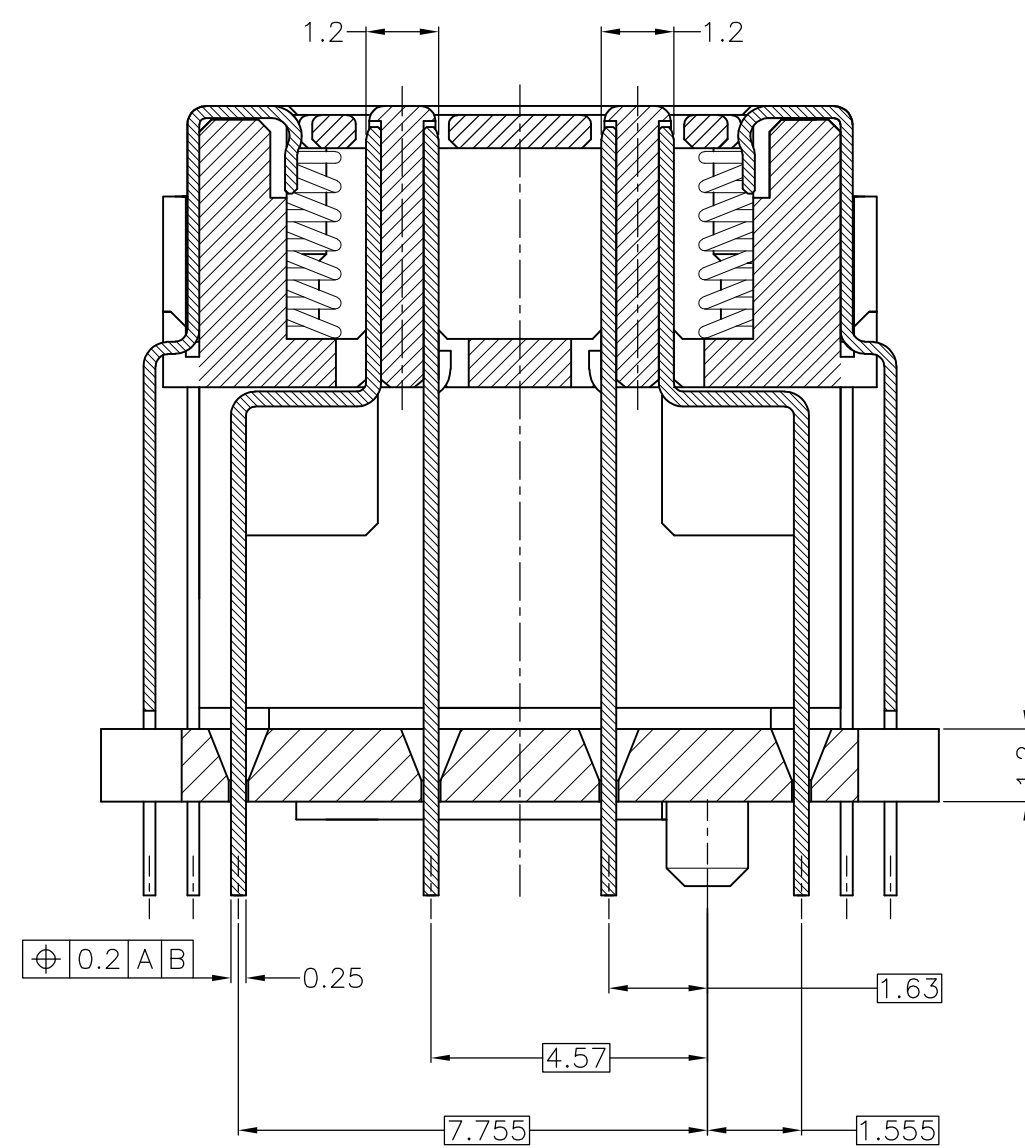
LOC	DIST	REVISONS			DATE	DWN	APVD
J		P	LTR	DESCRIPTION			
		-	-	SEE SHEET 1	-	-	-



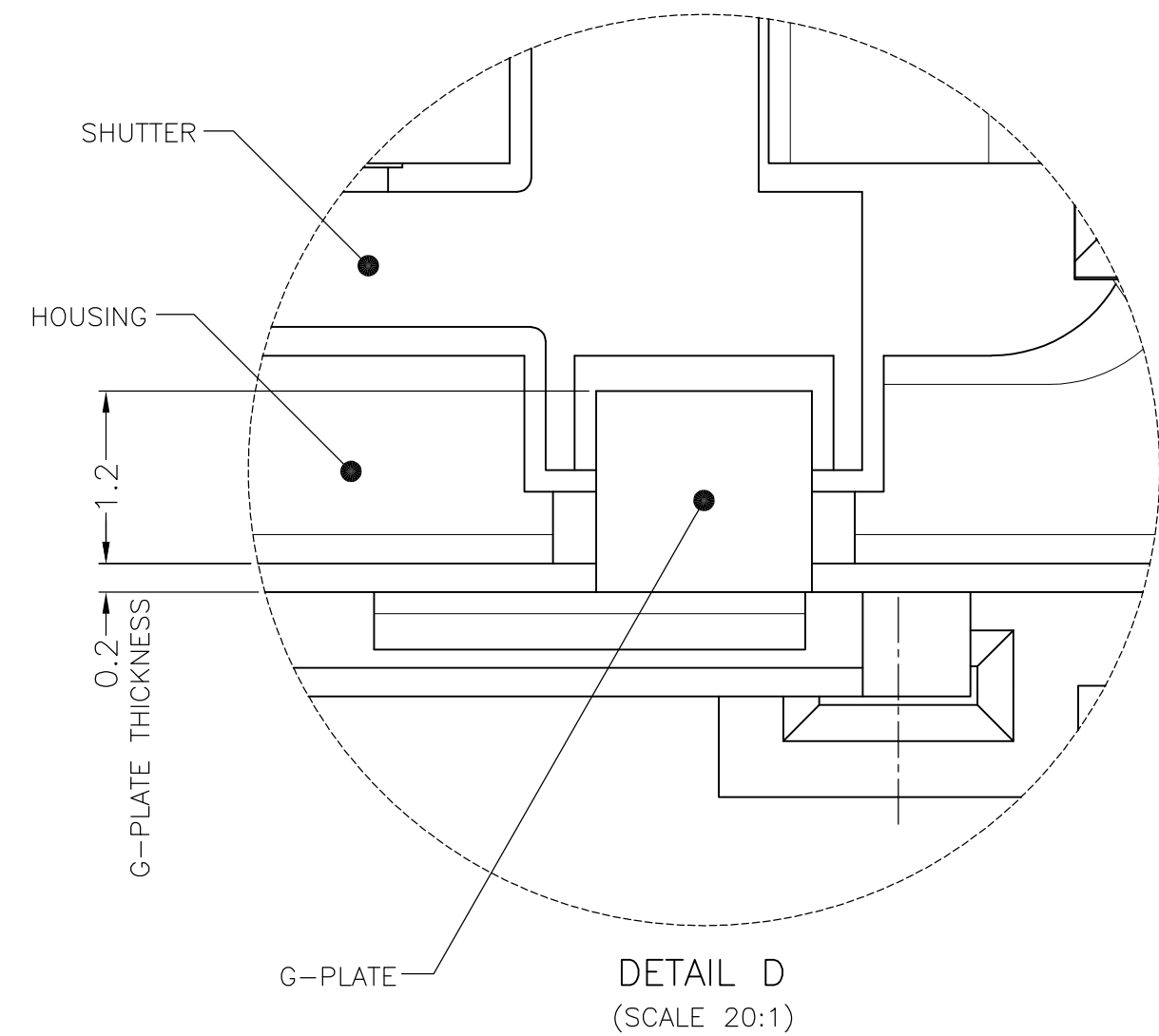
VIEW C



SECT. A-A



SECT. B-B



DETAIL D (SCALE 20:1)

GENERAL TOLERANCE  
 一般公差  
 10 ≥ ±0.2  
 30 > 10: ±0.25  
 100 ≥ > 30: ±0.3  
 ANGLES: ±3°

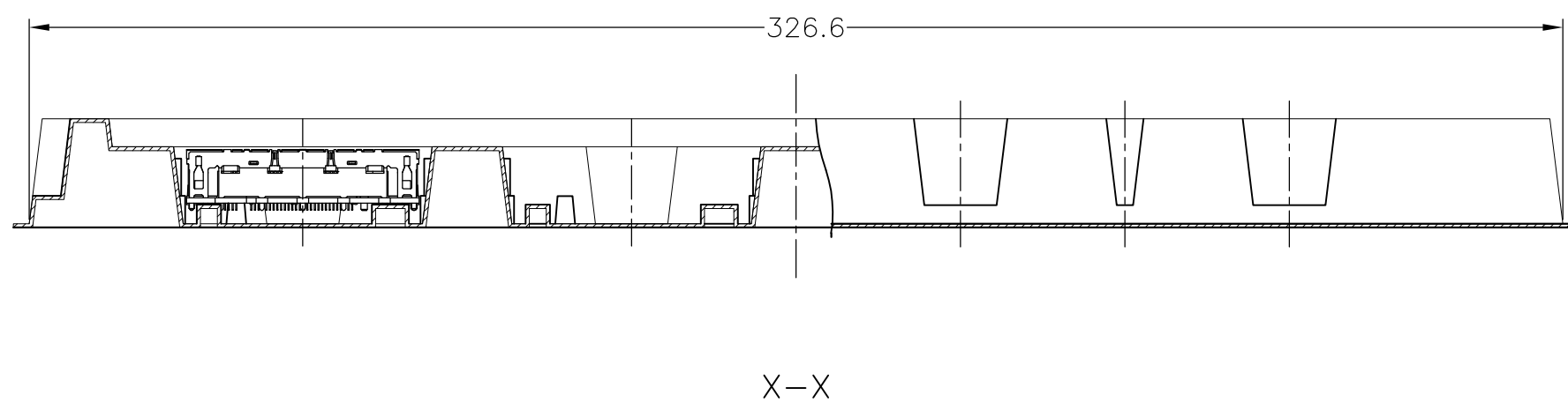
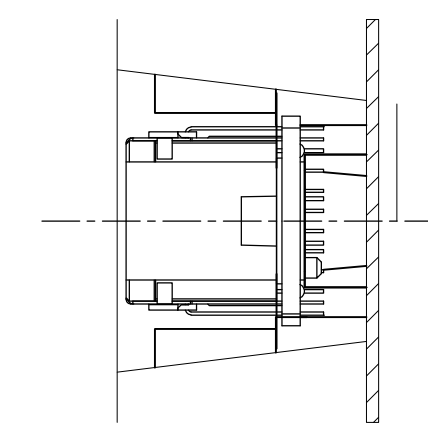
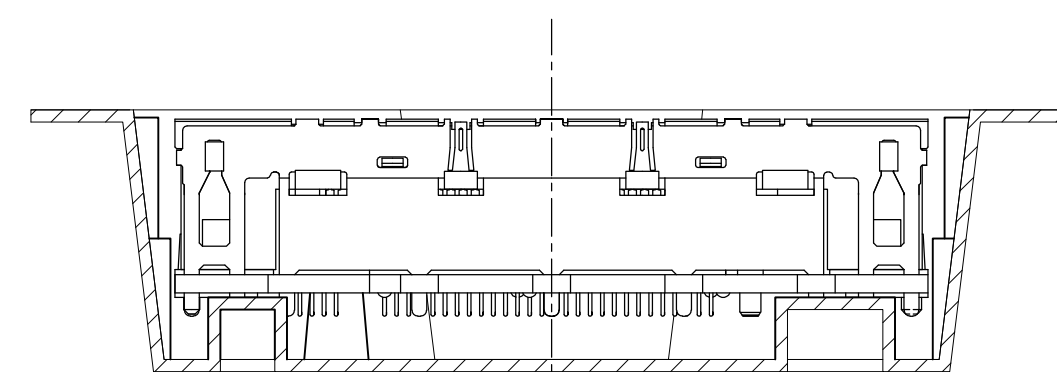
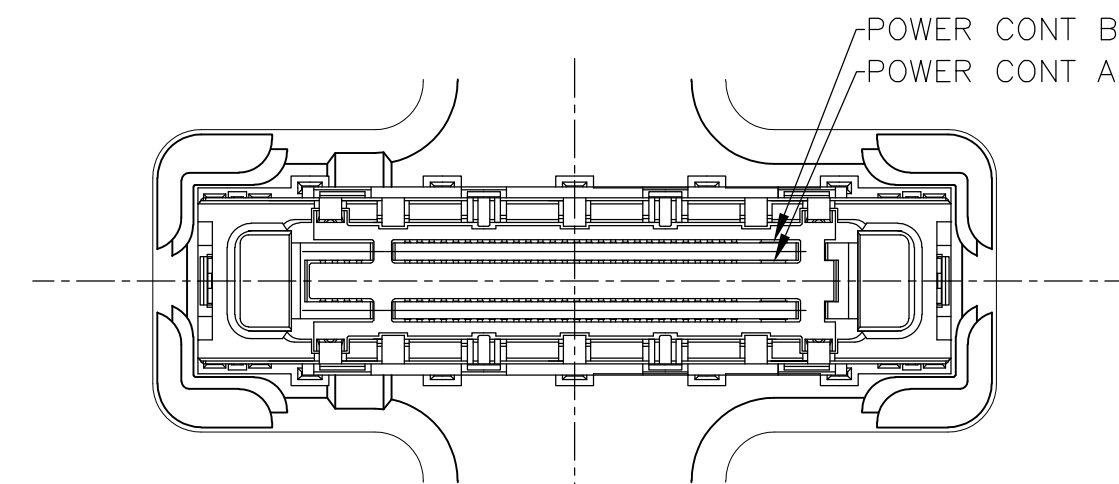
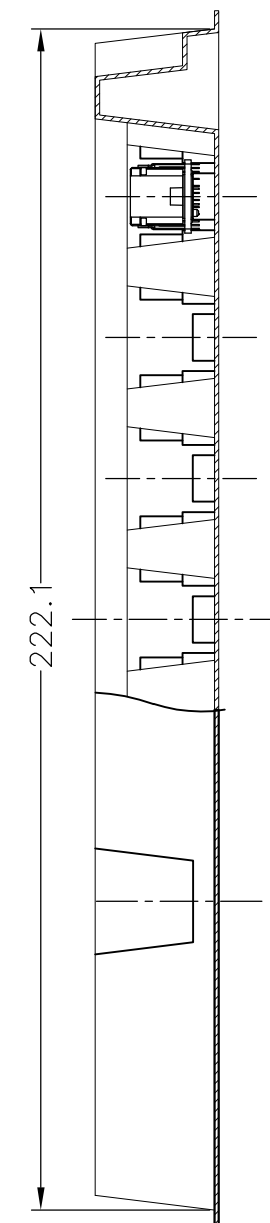
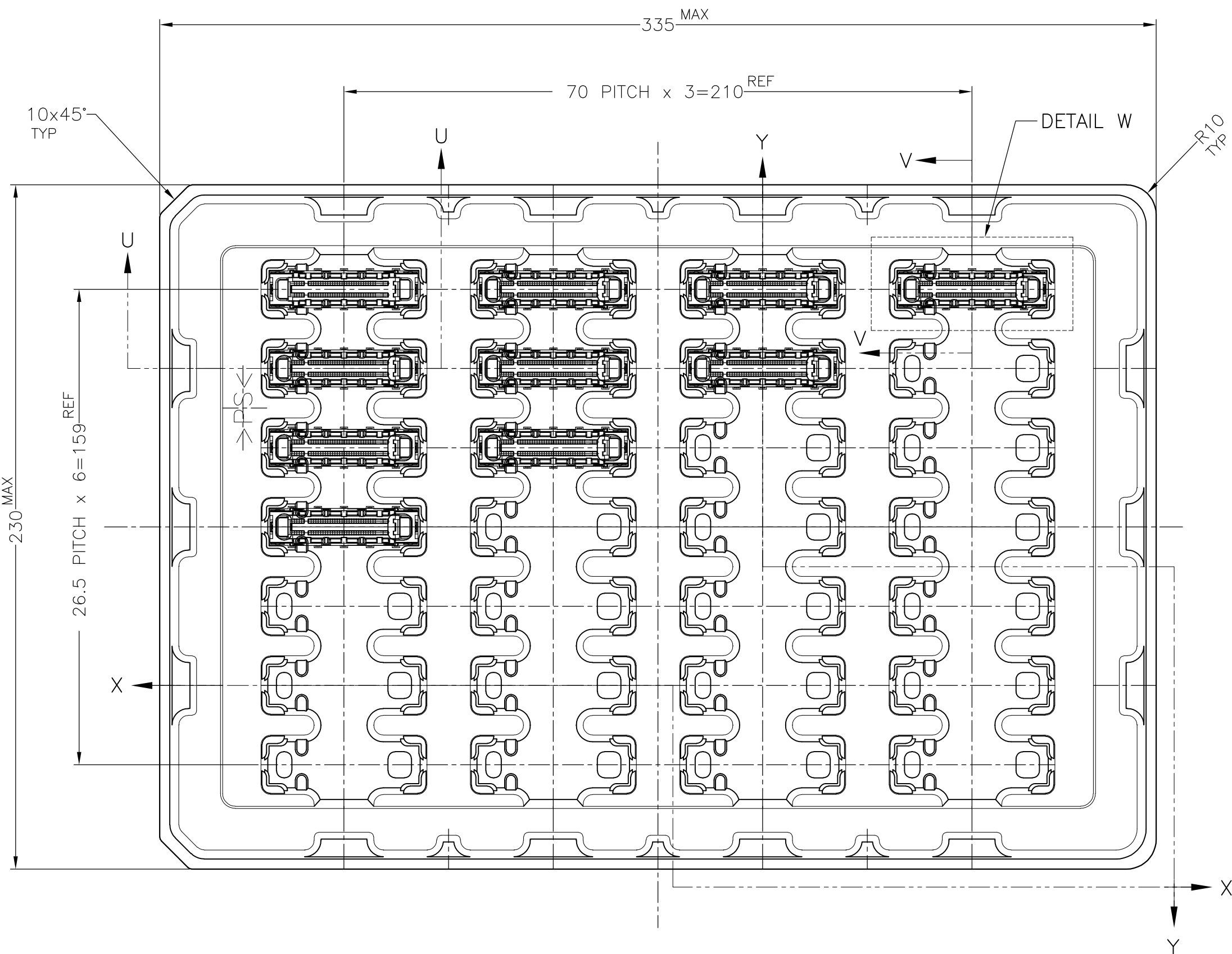
THIS DRAWING IS A CONTROLLED DOCUMENT.		DWN
DIMENSIONS: 单位: 毫米 mm		CHK
TOLERANCES UNLESS OTHERWISE SPECIFIED 一般公差		APVD
0 PLC ±		PRODUCT SPEC 製品規格
1 PLC ±		APPLICATION SPEC 取付適用規格
2 PLC ±		WEIGHT
3 PLC ±		CUSTOMER DRAWING
4 PLC ±		SCALE 8:1
FINISH 仕上		SHEET 2 of 4

Tyco Electronics Tyco Electronics Corporation Kawasaki, Japan		RESTRICTED TO
NAME 名称 0.8 DOCKING CONNECTOR H=11.8 PLUG 140P/POWER 4P WITH SHUTTER		REV A
SIZE A2	CAGE CODE 00779	DRAWING NO. 2040928



THIS DRAWING IS UNPUBLISHED. RELEASED FOR PUBLICATION .2005.  
 © COPYRIGHT 2005 BY TYCO ELECTRONICS CORPORATION. ALL RIGHTS RESERVED.

LOC	DIST	REVISIONS					
J		P	LTR	DESCRIPTION	DATE	DWN	APVD
		-	-	SEE SHEET 1	-	-	-



THIS DRAWING IS A CONTROLLED DOCUMENT.		DWN	Tyco Electronics Corporation Kawasaki, Japan	
DIMENSIONS: 单位: 毫米 mm		CHK	NAME 名称	
TOLERANCES UNLESS OTHERWISE SPECIFIED: 一般公差		APVD	0.8 DOCKING CONNECTOR H=11.8 PLUG 140P/POWER 4P WITH SHUTTER	
0 PLC ± 1 PLC ± 2 PLC ± 3 PLC ± 4 PLC ± ANGLES ±		PRODUCT SPEC 製品規格	SIZE A2	CAGE CODE 00779
MATERIAL 材料		APPLICATION SPEC 取付適用規格	DRAWING NO 番号 C=2040928	RESTRICTED TO
FINISH 仕上		WEIGHT	SCALE 尺度 NTS	SHEET 4 OF 4
		CUSTOMER DRAWING	REV A	