

PV4 SERIES ANTI-VANDAL SWITCH

ANTI-VANDAL SWITCHES
DETECTOR SWITCHES
DIP SWITCHES
KEYLOCK SWITCHES
NAVIGATION SWITCHES
PUSHBUTTON SWITCHES
ROCKER SWITCHES
ROTARY SWITCHES
SLIDE SWITCHES
SNAP ACTION SWITCHES
TACTILE SWITCHES
TOGGLE SWITCHES
CAP OPTIONS



APPLICATIONS / MARKETS



Audio / Visual



Security Devices



Industrial Controls



Kiosks



Electrical Housewares



Medical Equipment

RoHS

SPECIFICATIONS

Electrical Rating: 2A, 24VDC
Electrical Life: 50,000 Cycles
Contact Resistance: 50mΩ Max.
Insulation Resistance: 1000 MΩ Min.
Dielectric Strength: 2,000VAC
Operating/Storage Temperature: -20°C to 55°C
Travel: 2.50mm
Moisture Protection: IP65
Contact Arrangement: SPDT, DPDT
Actuation Force: 4 N
Panel Thickness: 1-11mm
Mounting Nut Torque: 5-14Nm

FEATURES & BENEFITS

- 19mm diameter panel cutout
- RGB LED option
- Dot, ring or power symbol illumination available
- Multiple function options
- IP65 rated
- SPDT & DPDT
- Soldered wire leads (300mm long) optional

PART NUMBER CONFIGURATOR

Series	Actuator Options	Terminal Options	Function Options	Rating Options	Body Finish Options	Actuator Finish Options	Contact Material Options	Lens Style Options	LED-Color Options	Illumination Voltage Options	Graphic (Optional)
PV4	F - Flat H - High	2 - Solder 6 - Screw* W - Wire Leads 300mm	3 - 1P On-On B - 1P On-(On) G - 2P On-On H - 2P On-(On) Y - Double break 1P Off-(On) 1P On-(Off)	0 - 2A, 24VDC	S - Stainless Steel 1 - Black Anodized	S - Stainless Steel 1 - Black Anodized	None - Silver G - Gold	NONE - Non-Illuminated 2 - Dot Illumination 3 - Ring Illumination	NONE - Non-Illuminated 0 - White 1 - Red 2 - Orange 3 - Green 4 - Blue 5 - Yellow F - Red/Orange G - Red/Green H - Red/Blue J - Red/Yellow K - Orange/Green L - Orange/Blue M - Orange/Yellow R - RGB LED***	NONE - Non-Illuminated 1 - Base Voltage 3 - 6V 4 - 12V 5 - 24V 6 - 125V 7 - 250V	M01 - Power symbol laser etched M26 - Power symbol illuminated**

NOTES:

() denotes function is momentary
 * Screw termination is available only with "Y" function option
 ** Illuminated power symbol graphic is only available with ring Illumination
 *** RGB is only for SPDT functions 3 and B

Specifications subject to change without notice 5.2.2019



E-SWITCH®

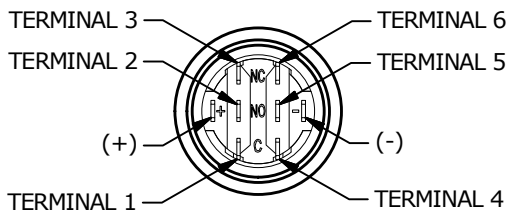
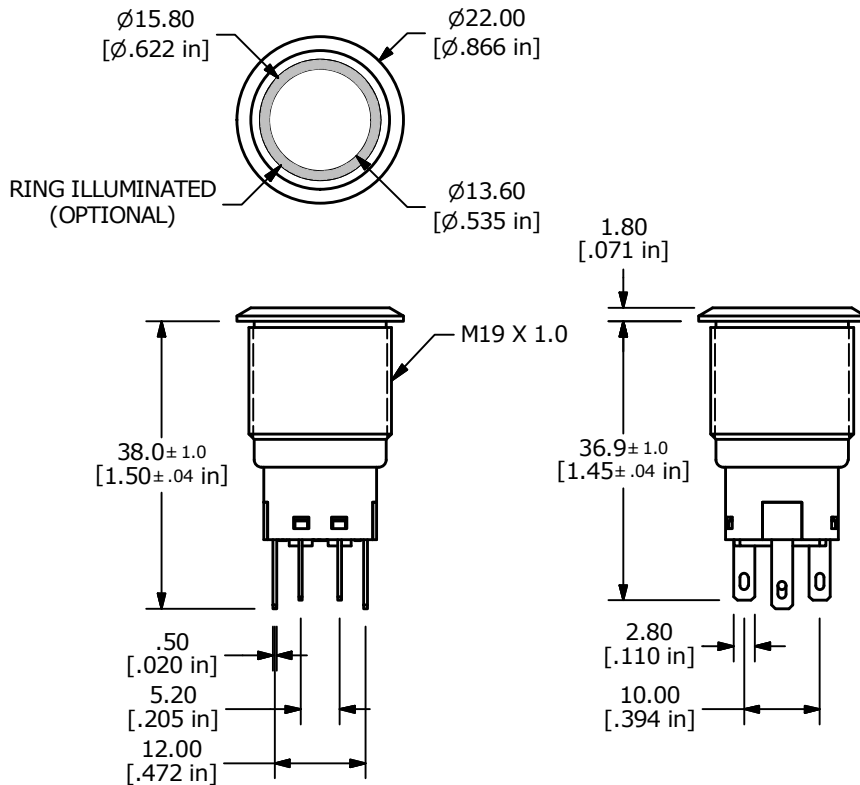
www.e-switch.com

800.867.2717

1

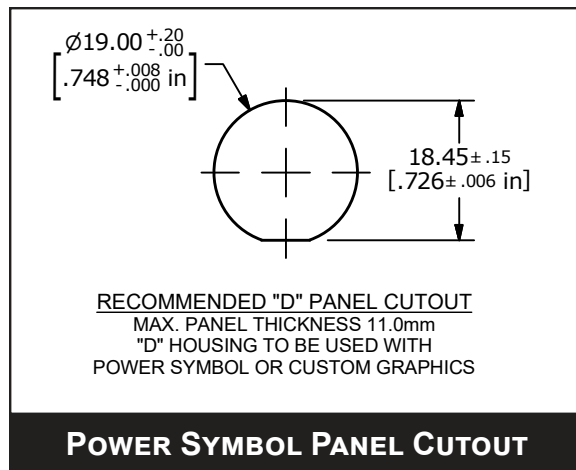
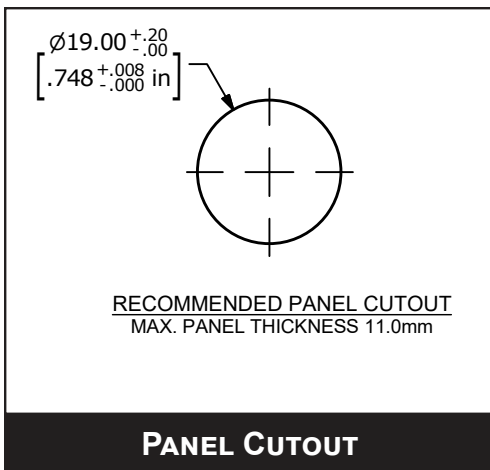
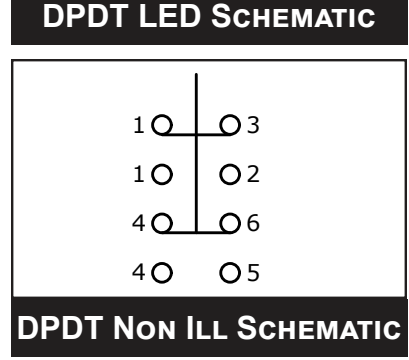
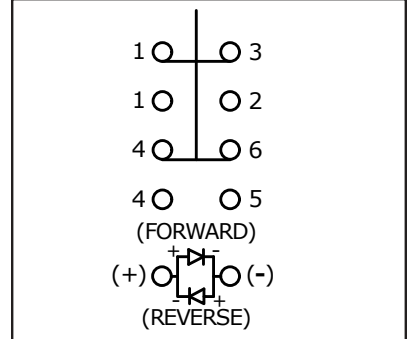
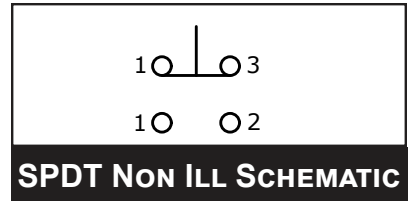
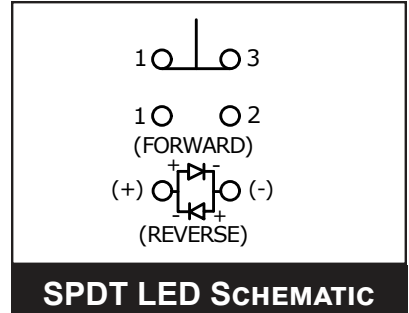
PV4 SERIES ANTI-VANDAL SWITCH

STANDARD LED FUNCTIONS 3, B, G & H



DPDT ILLUMINATED OPTION SHOWN LED (+) AND (-) TERMINALS ARE NOT INCLUDED ON THE NON-ILLUMINATED OPTION
TERMINALS 4,5 AND 6 ARE NOT ON THE SPDT VERSION

FUNCTIONS 3 & B ARE SPDT
FUNCTIONS G & H ARE DPDT

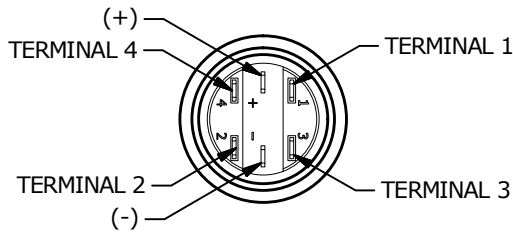
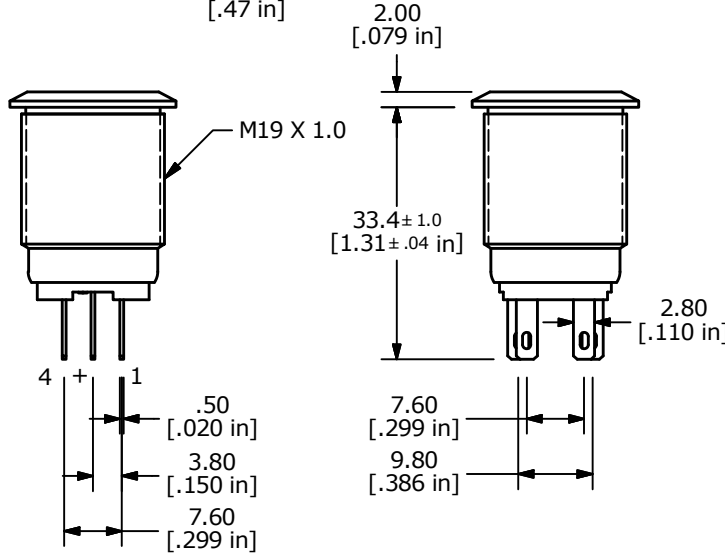
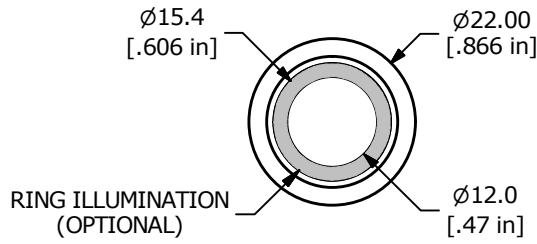


ANTI-VANDAL SWITCHES
DETECTOR SWITCHES
DIP SWITCHES
KEYLOCK SWITCHES
NAVIGATION SWITCHES
PUSHBUTTON SWITCHES
ROCKER SWITCHES
ROTARY SWITCHES
SLIDE SWITCHES
SNAP ACTION SWITCHES
TACTILE SWITCHES
TOGGLE SWITCHES
CAP OPTIONS

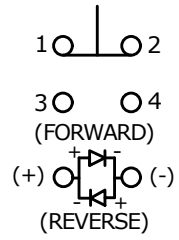


PV4 SERIES ANTI-VANDAL SWITCH

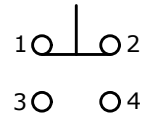
Y FUNCTION W/ SOLDER TERMINALS



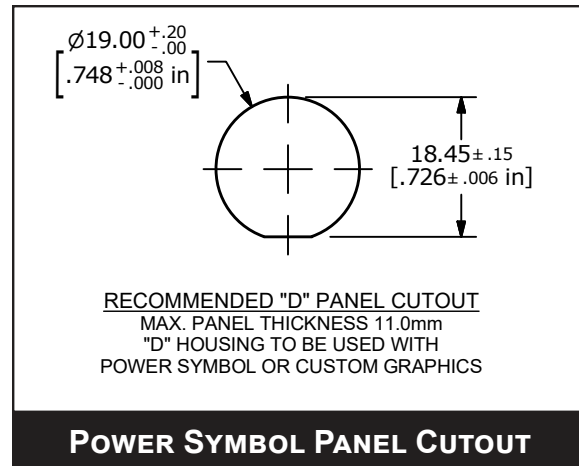
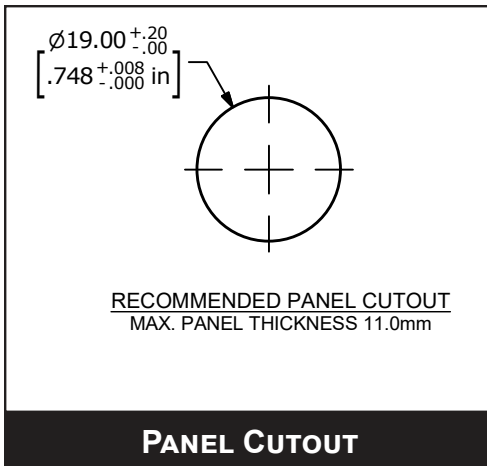
ILLUMINATED OPTION SHOWN LED (+) AND (-) TERMINALS ARE NOT ON THE NON-ILLUMINATED OPTION



SPDT LED SCHEMATIC

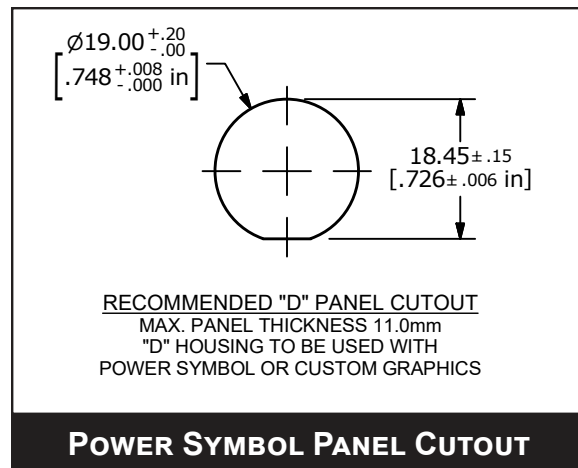
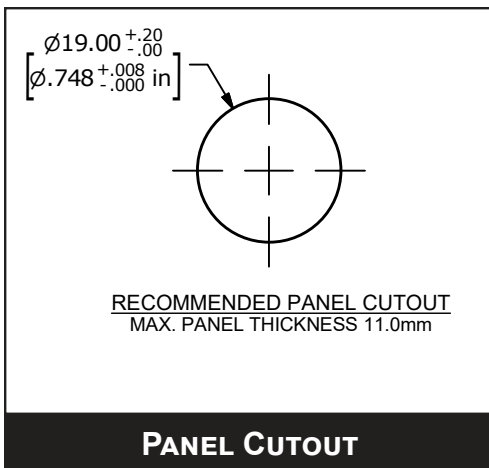
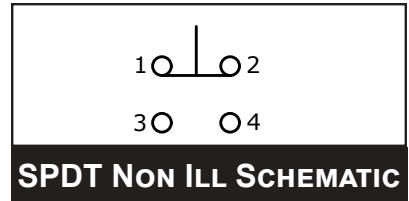
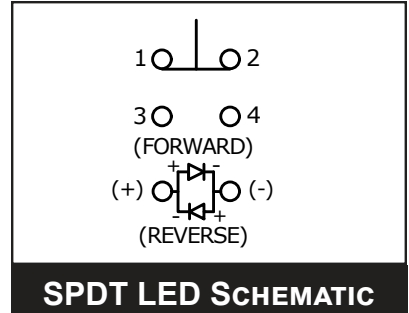
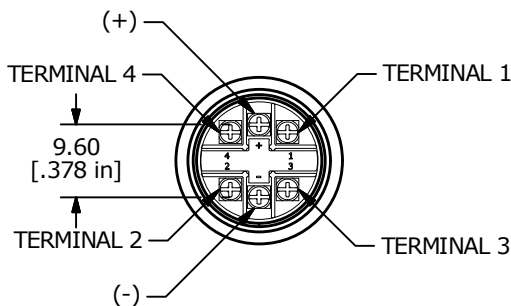
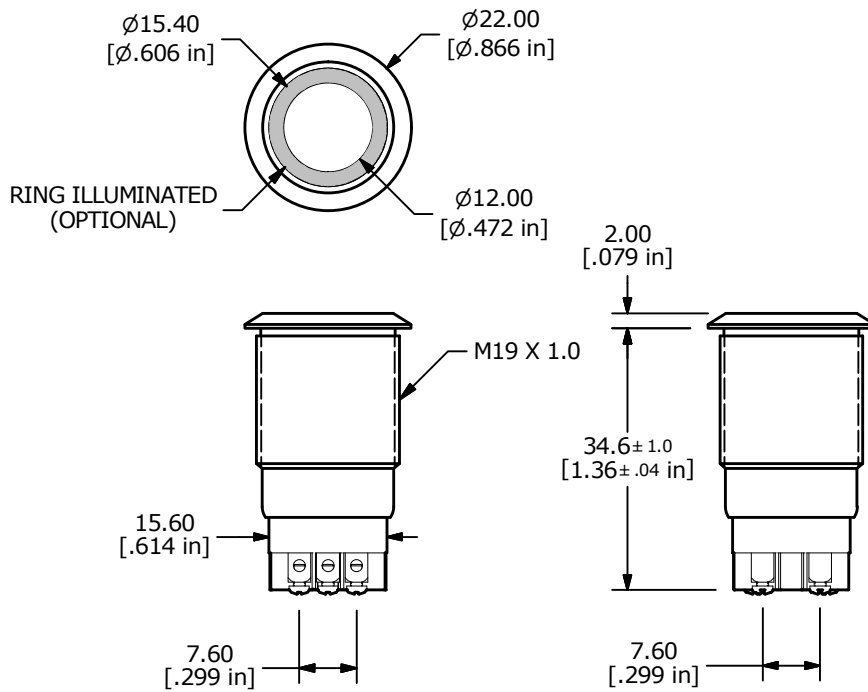


SPDT Non ILL SCHEMATIC



PV4 SERIES ANTI-VANDAL SWITCH

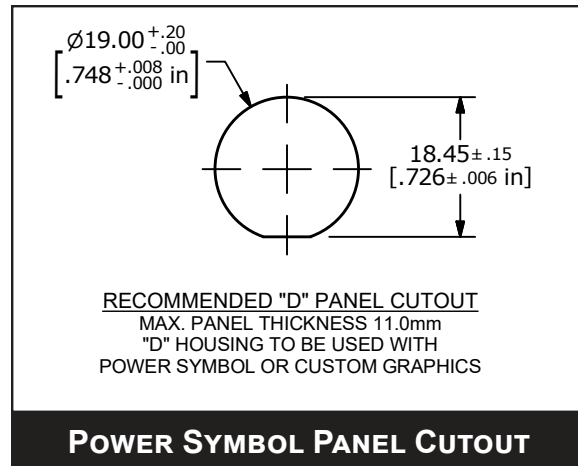
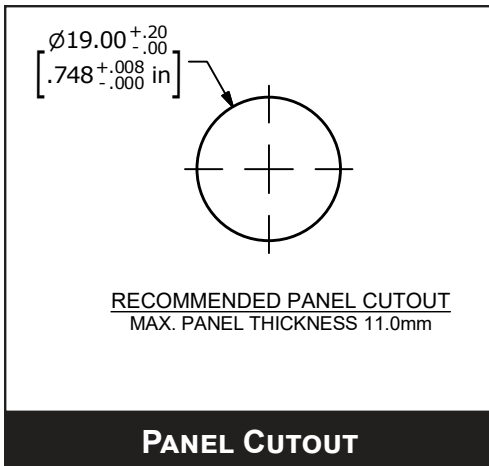
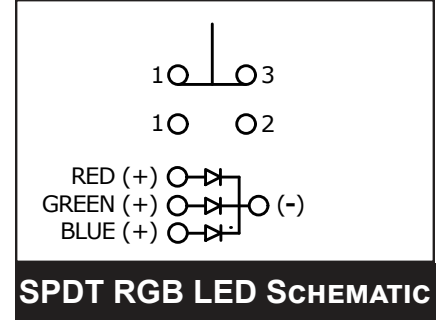
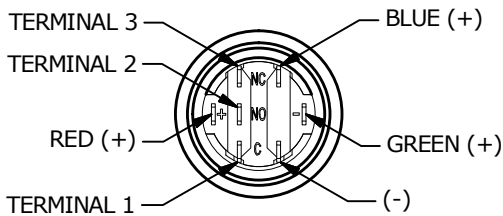
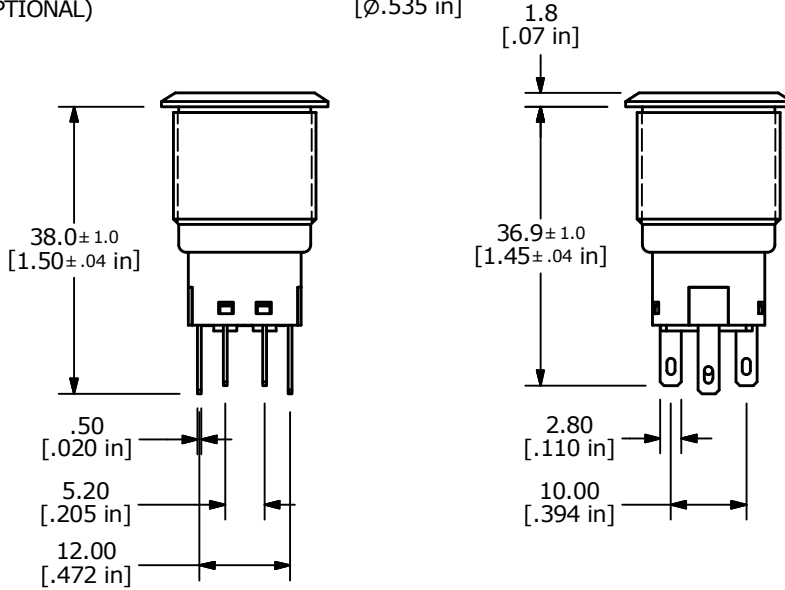
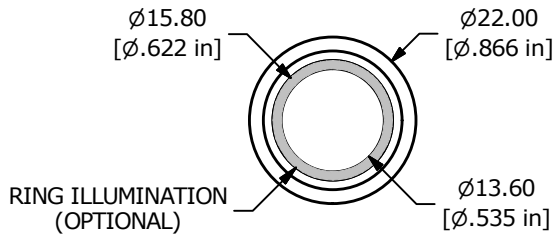
Y FUNCTION W/ SCREW TERMINALS



ANTI-VANDAL SWITCHES
DETECTOR SWITCHES
DIP SWITCHES
KEYLOCK SWITCHES
NAVIGATION SWITCHES
PUSHBUTTON SWITCHES
ROCKER SWITCHES
ROTARY SWITCHES
SLIDE SWITCHES
SNAP ACTION SWITCHES
TACTILE SWITCHES
TOGGLE SWITCHES
CAP OPTIONS

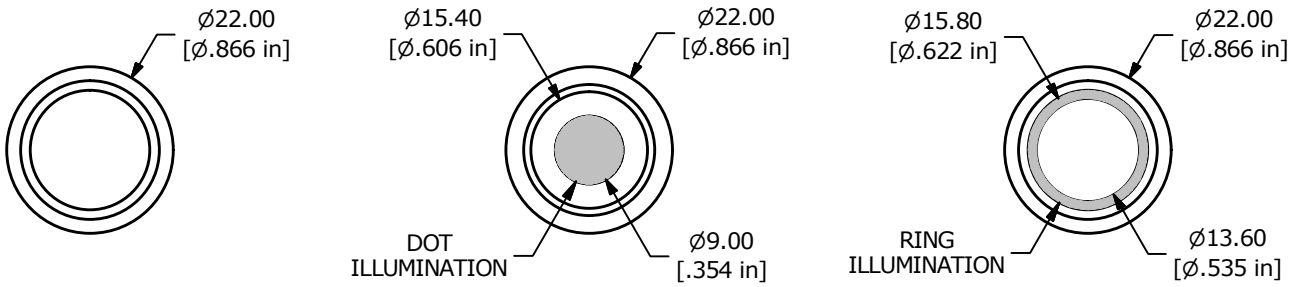
PV4 SERIES ANTI-VANDAL SWITCH

RGB LED ILLUMINATION FUNCTIONS 3 & B



PV4 SERIES ANTI-VANDAL SWITCH

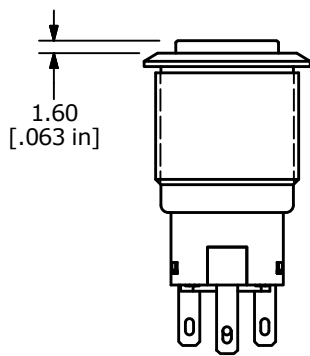
ACTUATOR OPTIONS



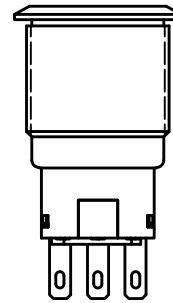
FLAT NON-ILLUMINATED

FLAT DOT ILLUMINATED

FLAT RING ILLUMINATED

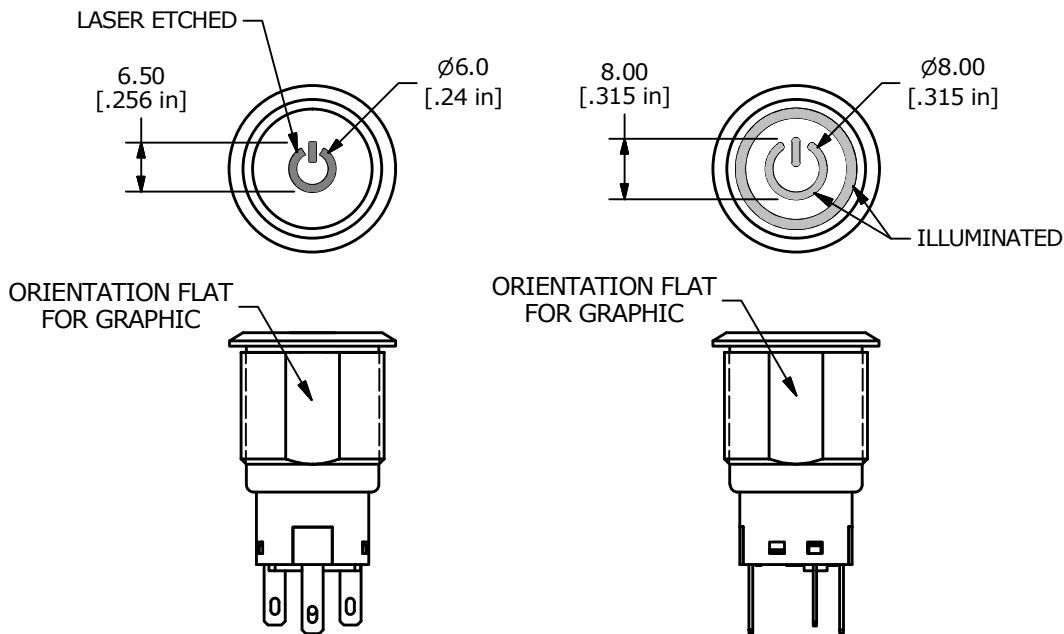


HIGH ACTUATOR



FLAT ACTUATOR

GRAPHIC OPTIONS



M01

M26



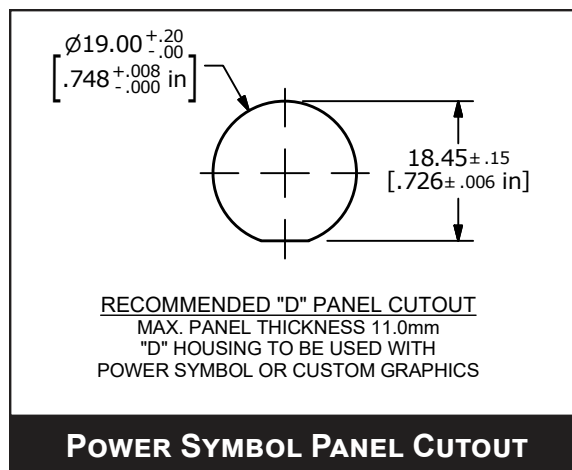
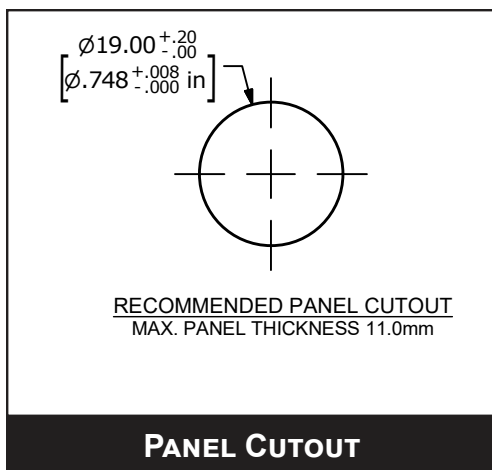
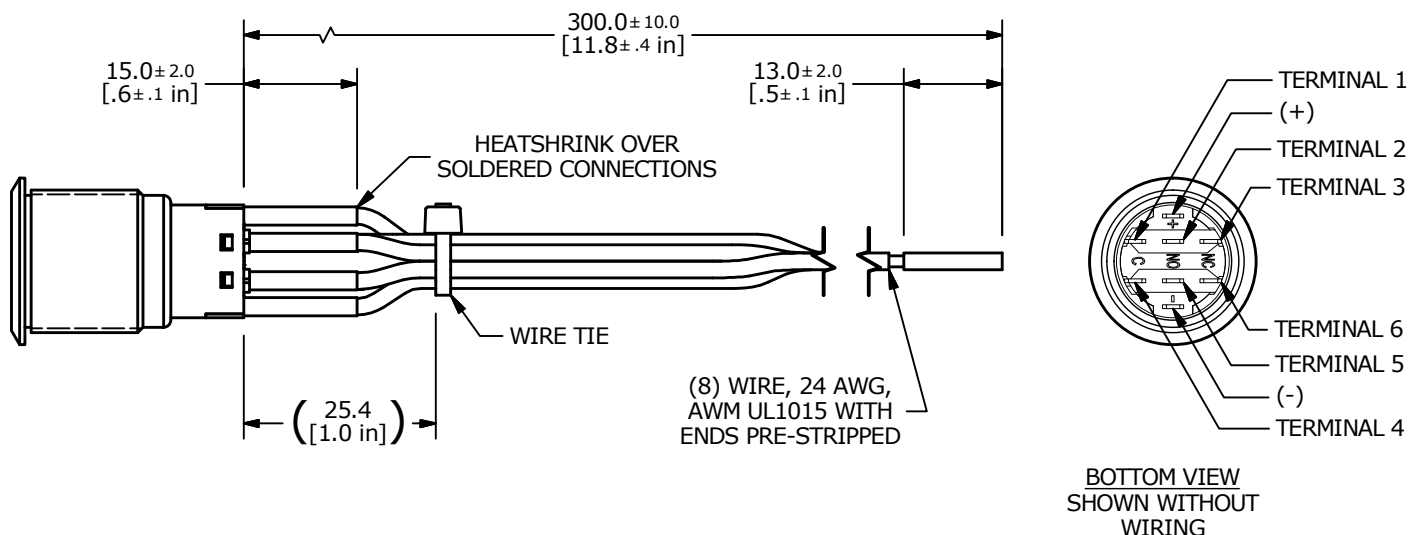
ANTI-VANDAL SWITCHES
 DETECTOR SWITCHES
 DIP SWITCHES
 KEYLOCK SWITCHES
 NAVIGATION SWITCHES
 PUSHBUTTON SWITCHES
 ROCKER SWITCHES
 ROTARY SWITCHES
 SLIDE SWITCHES
 SNAP ACTION SWITCHES
 TACTILE SWITCHES
 TOGGLE SWITCHES
 CAP OPTIONS

PV4 SERIES ANTI-VANDAL SWITCH

STANDARD LED WIRE LEAD

SWITCH	WIRE	LENGTH
SW1-1	WIRE, 24AWG AWM UL1015, YELLOW	300.0 [11.8 in]
SW1-2	WIRE, 24AWG AWM UL1015, BLUE	300.0 [11.8 in]
SW1-3	WIRE, 24AWG AWM UL1015, GREEN	300.0 [11.8 in]
SW1-4	WIRE, 24AWG AWM UL1015, PURPLE	300.0 [11.8 in]
SW1-5	WIRE, 24AWG AWM UL1015, ORANGE	300.0 [11.8 in]
SW1-6	WIRE, 24AWG AWM UL1015, WHITE	300.0 [11.8 in]
SW1- (+)	WIRE, 24AWG AWM UL1015, RED	300.0 [11.8 in]
SW1- (-)	WIRE, 24AWG AWM UL1015, BLACK	300.0 [11.8 in]

** WIRE LEADS PROVIDED ARE DEPENDANT ON THE FUNCTION AND/OR ILLUMINATION SELECTED **



PV4 SERIES ANTI-VANDAL SWITCH

RGB LED WIRE LEAD

SWITCH	WIRE	LENGTH
SW1-1	WIRE, 24AWG AWM UL1015, ORANGE	300.0 [11.8 in]
SW1-2	WIRE, 24AWG AWM UL1015, WHITE	300.0 [11.8 in]
SW1-3	WIRE, 24AWG AWM UL1015, YELLOW	300.0 [11.8 in]
SW1-RED (+)	WIRE, 24AWG AWM UL1015, RED	300.0 [11.8 in]
SW1-GREEN (+)	WIRE, 24AWG AWM UL1015, GREEN	300.0 [11.8 in]
SW1-BLUE (+)	WIRE, 24AWG AWM UL1015, BLUE	300.0 [11.8 in]
SW1- (-)	WIRE, 24AWG AWM UL1015, BLACK	300.0 [11.8 in]

** WIRE LEADS PROVIDED ARE DEPENDANT ON THE FUNCTION AND/OR ILLUMINATION SELECTED **

