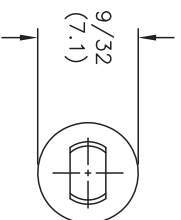
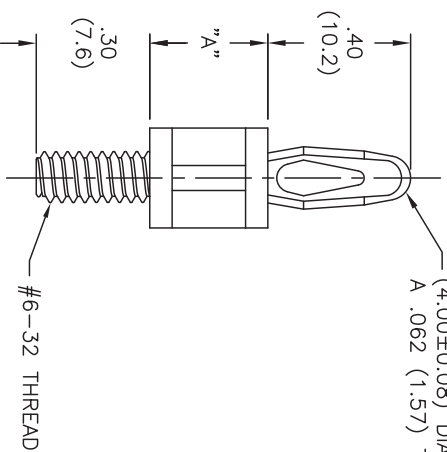


AVAILABLE BY SPECIAL ORDER ONLY

NYLON 6/6 (RMS-01) COLOR: NATURAL	FLAME RET. (RMS-19) COLOR: NATURAL	DIM. "A" ±.015 (±0.4)
PART NO.	PART NO.	
CBS-TM-4-01	CBS-TM-4-19	1/4 (6.4)
CBS-TM-6-01	CBS-TM-6-19	3/8 (9.5)
CBS-TM-8-01	CBS-TM-8-19	1/2 (12.7)
CBS-TM-10-01	CBS-TM-10-19	5/8 (15.9)
CBS-TM-12-01	CBS-TM-12-19	3/4 (19.1)
CBS-TM-14-01	CBS-TM-14-19	7/8 (22.2)
CBS-TM-16-01	CBS-TM-16-19	1 (25.4)
CBS-TM-18-01	CBS-TM-18-19	1-1/8 (28.6)
CBS-TM-20-01	CBS-TM-20-19	1-1/4 (31.8)
CBS-TM-22-01	CBS-TM-22-19	1-3/8 (34.9)
CBS-TM-24-01	CBS-TM-24-19	1-1/2 (38.1)



TO SNAP-FIT IN A .156±.003
(4.00±0.08) DIA. HOLE IN
A .062 (1.57) THICK BOARD



- NOTES:
1. M4 THREAD AVAILABLE BY SPECIAL ORDER ONLY.
TO ORDER, ADD "-M4" TO PART NO.
EXAMPLE: CBS-TM-M4-8-XX

SEE ECN #862 FOR CHANGES		SM 10.04.04	TITLE: CBS THREADED MALE		DWG IN			FINAL	
G	UPDATED PRINT AND CHANGED FILE NO.	SM 05.08.02			IN (MM)				
F	FR-NYLON REMOVED FROM CHART	J.L. 8.17.98	TOLERANCES UNLESS NOTED		APP:			PART #	PRINT TYPE
E	RMS-19 BY SPECIAL ORDER ADDED	J.L. 12.18.97	.XX=±.010		DT: 06-20-94 DT:				
D	CHANGED CHART AND ADDED DIMS	J.B. 09.27.95	.XXX=±.005		DT:		SEE TABLE		CA
C	ADD PART NOS. CBS-TM-18 TO CBS-TM-24	RS 04.06.93	FRAC=±1/64		DT:				
B	DESCRIPTION	ENGR DATE	ANG=±1°		DT:				
REV									

FILE # CBS-TM
MATERIAL: SEE TABLE
RE: RICHCO, INC.
RICHCO INC.
PO BOX 804238, CHICAGO, IL 60680
(773) 539-4060