

2.50 ±0.25
(SIGNAL TAILS)

1.58 MIN
(PCB THICKNESS)

14.4

(13.38)
SCREW HOLE DEPTH

ALLOW EXTRA SPACE
4.00 MM PER SIDE
(REQUIRED FOR RE-WORK PER AS-46436-100)

SECTION B-B (A1)

SCREW ALIGNER (A1)

SIGNAL MODULE
40-CKT

ALIGNER

P/N: 46562-3133 (G-40S-G)

"A" ±0.75

(29.63)

RECEPTACLE
ASSY

PLUG ASSY

RECEPTACLE
SIDE PCB

18.0

1.72 ±0.15

PLUG SIDE
PCB

0.37

OF FIRST ROW OF
SIGNAL PINS

19.03 +0.50
0.00

MATED PROFILE

NOTES:

1. MATERIAL:

-HOUSINGS: LCP UL94, V-0, COLOR: BLACK

-TERMINALS: COPPER ALLOY

-PLATING: 1.27 MICROMETER (50 MICROINCH) NICKEL OVERALL WITH
2.54 MICROMETER (100 MICROINCH) SELECTIVE TIN ON TAILS AND
0.762 MICROMETER (30 MICROINCH) SELECTIVE GOLD ON CONTACT AREA

2. PACKAGING: ASSEMBLIES TO BE TRAY PACKED PER PACKAGING SPEC: 465621001-PK

3. PLATED THRU HOLE SIZE, REFER TO PS-46436-100 FOR DETAILS

4. PRODUCT SPEC: PS-46436-100.

5. APPLICATION SPEC: AS-46436-100

6. PRODUCT TO MEET RoHS REQUIREMENTS

7. ASSEMBLY MATES TO MOLEX PLUG ASSEMBLY P/N 46437-**** (SEE TABLE IN SHEET 2).

8. TAIL DESIGN: COMPLIANT PIN

9. SIGNAL CONTACTS ARE LUBRICATED.

10. MOLEX LOGO TO BE LOCATED APPROXIMATELY AS SHOWN

11. FOR USE WITH 2-32 TYPE AB SELF THREADING SCREWS, SCREW LENGTH OF 9.50MM
IS RECOMMENDED FOR 1.58MM THICK PCB MAX TORQUE IS 4IN-LBS

PARTIAL OF A-A
(SIGNAL CKTS ARE ALIGNED)

Ø0.10 A B

Ø2.45 ±0.05 (2X)
(SEE NOTE 11)

"B" MIN
(KEEP-OUT ZONE)

10.09

18.50 MIN
(KEEP-OUT ZONE)

1.65

3.35 (A1)

6.33

(A1) 12.69

Ø0.10 A B

Ø0.70 ±0.05 ("H")
(SEE NOTE 3)

2.00

19.79

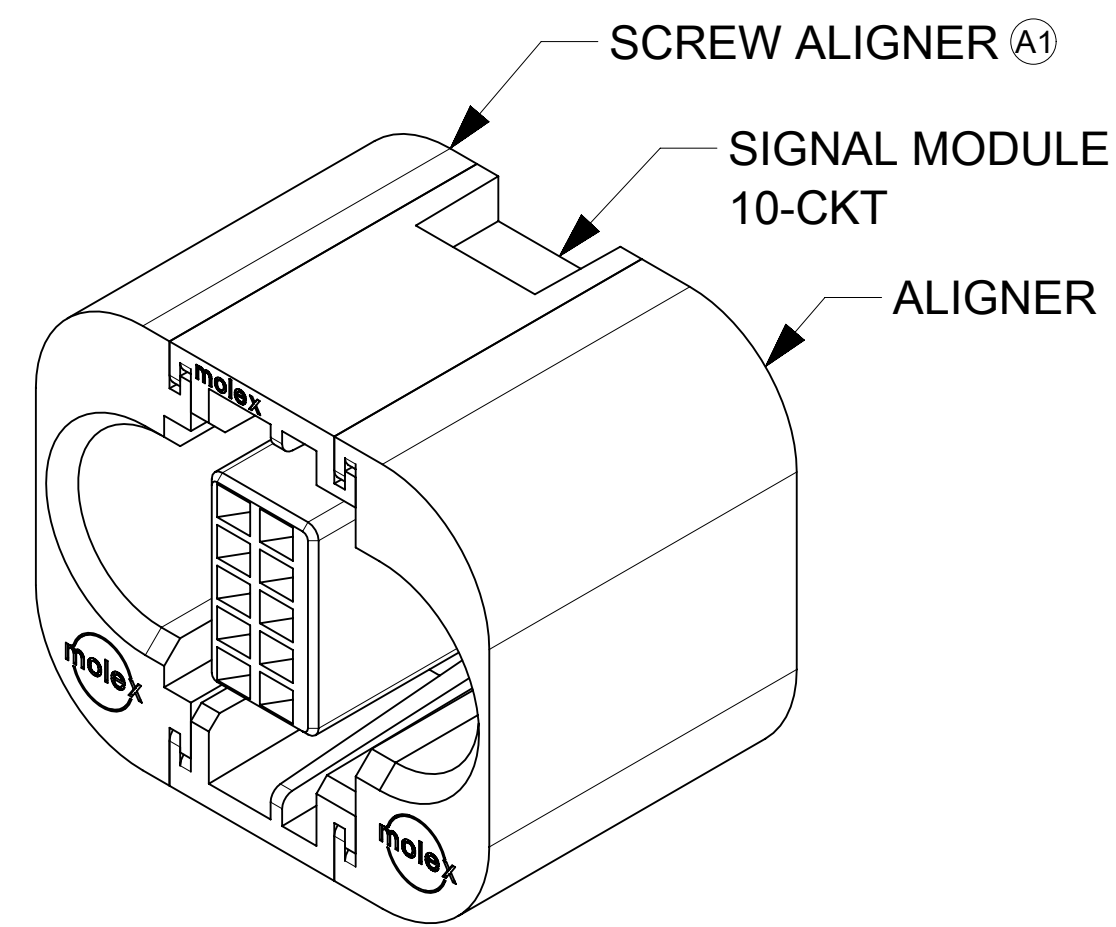
RECOMMENDED PCB LAYOUT AND KEEP-OUT ZONE
FOR G-(10S TO 40S)-G

THIS DRAWING CONTAINS INFORMATION THAT IS PROPRIETARY TO MOLEX ELECTRONIC TECHNOLOGIES, LLC AND SHOULD NOT BE USED WITHOUT WRITTEN PERMISSION

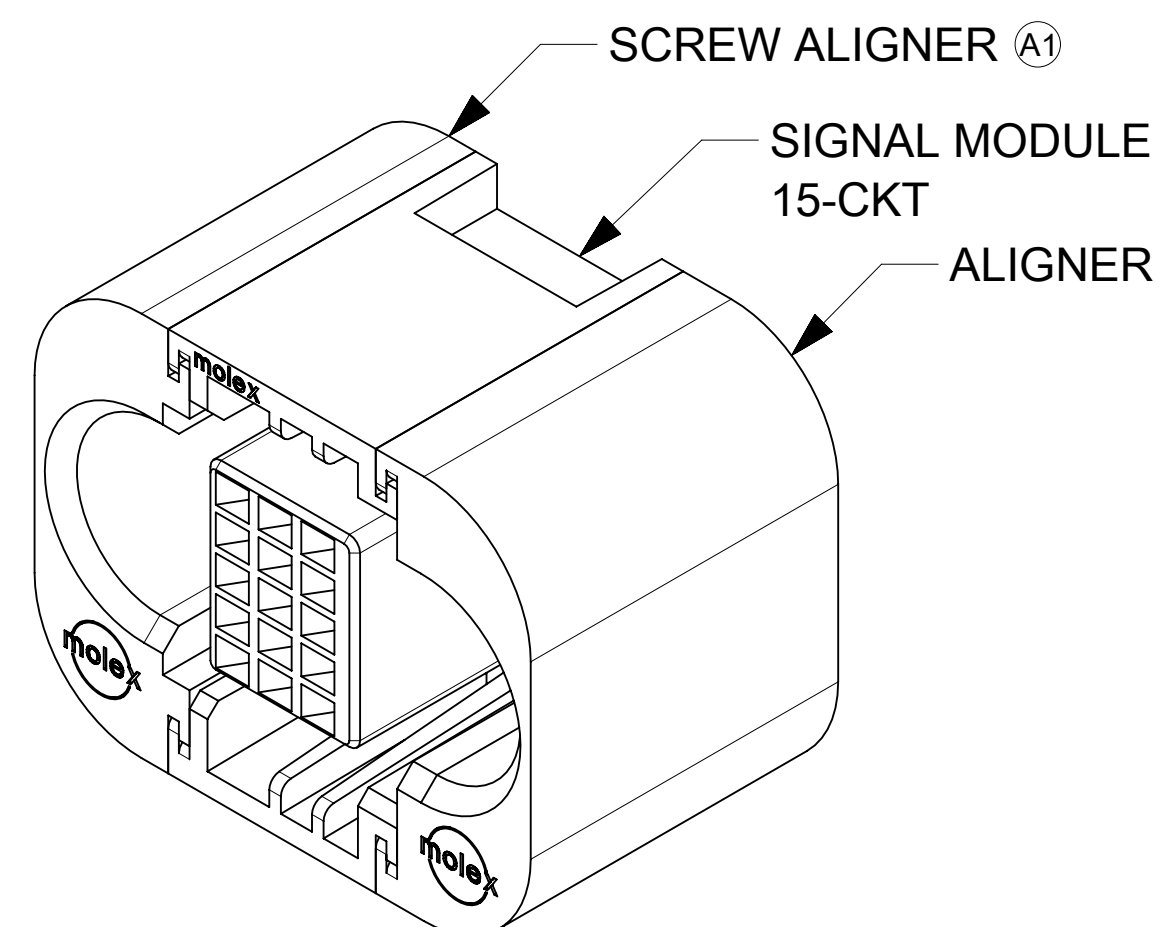
DIMENSION UNITS	SCALE	CURRENT REV DESC: REPLACED STANDARD ALIGNER WITH SCREW DOWN ALIGNER, UPDATED DIMENSIONS & ADDED SECTION VIEW B-B		molex			
mm	4:1			G-*S-G VERT RECEPTACLE ASSY - TEN60 POWER FAMILY			
GENERAL TOLERANCES (UNLESS SPECIFIED)				PRODUCT CUSTOMER DRAWING			
ANGULAR TOL	± 0.5°			DOCUMENT NUMBER			
4 PLACES	±	EC NO: 729882		DOC TYPE			
3 PLACES	±	DRWN: ABHIRK 2022/08/11		DOC PART			
2 PLACES	± 0.13	CHK'D: BHAGAD 2022/08/16		REVISION			
1 PLACE	± 0.25	APPR: HTHYAGARAJ 2022/12/12		465623127			
0 PLACES	±	INITIAL REVISION:		PSD 000 A1			
DRAFT WHERE APPLICABLE MUST REMAIN WITHIN DIMENSIONS		DRWING		SERIES		SHEET NUMBER	
		D-SIZE		46562		1 OF 2	
		DRAWING		MATERIAL NUMBER		CUSTOMER	
				SEE TABLE		GENERAL MARKET	

REFER TO BELOW TABLE FOR DIMENSIONS.

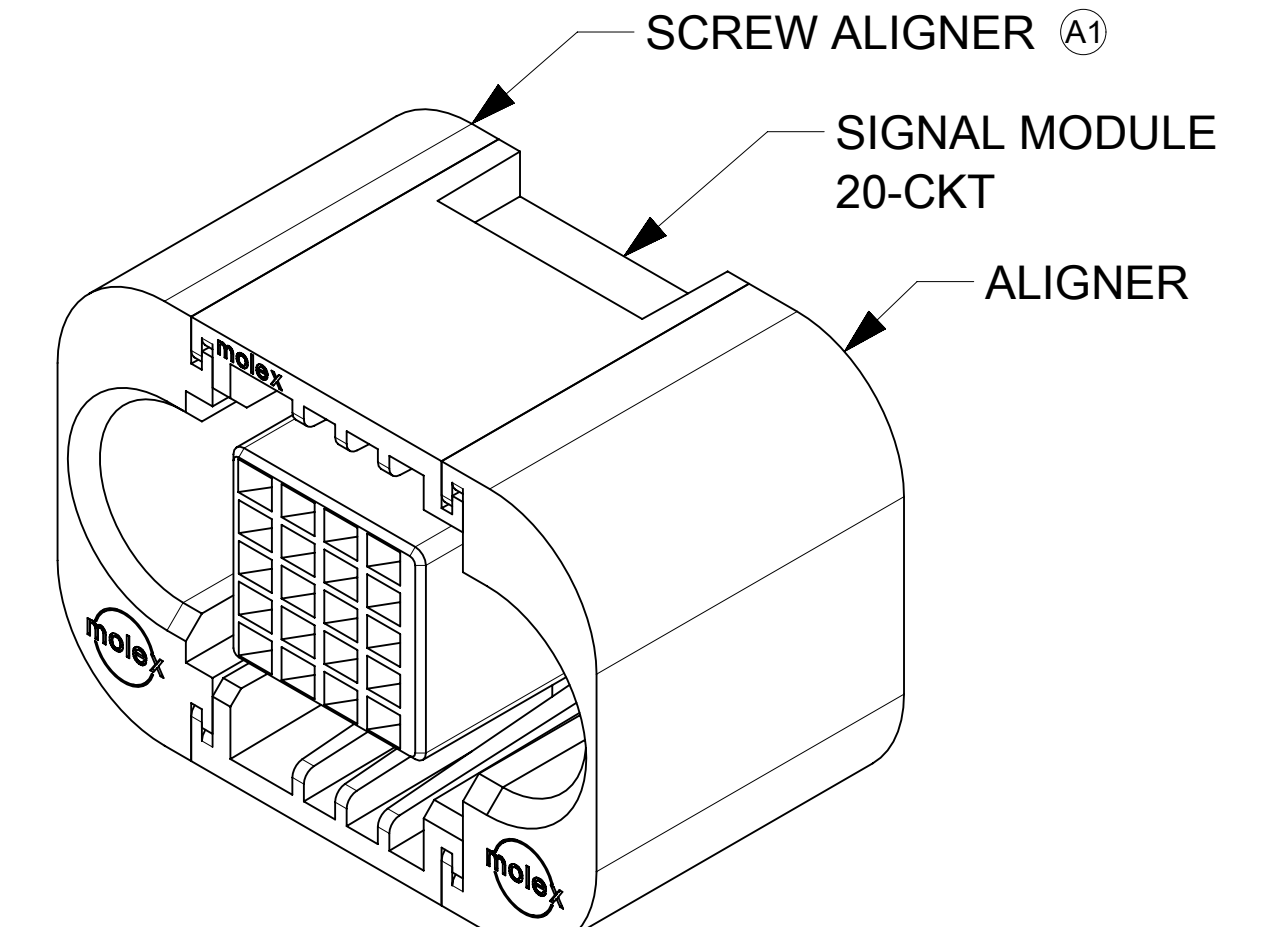
FG P/N	CONFIGURATION	SIGNAL CKT SIZE	DIM "A" (IN MM)	DIM "B" (IN MM) ^(A1)	HOLES COUNT "H"	MATES WITH R/A PLUG ASSY P/N - COMPLIANT PIN
46562-3127	G-10S-G	10	21.21	22.21	10	46437-3127
46562-3128	G-15S-G	15	23.21	24.21	15	46437-3128
46562-3129	G-20S-G	20	25.21	26.21	20	46437-3129
46562-3130	G-25S-G	25	27.21	28.21	25	46437-3130
46562-3131	G-30S-G	30	29.21	30.21	30	46437-3131
46562-3132	G-35S-G	35	31.21	32.21	35	46437-3132
46562-3133	G-40S-G	40	33.21	34.21	40	46437-3133



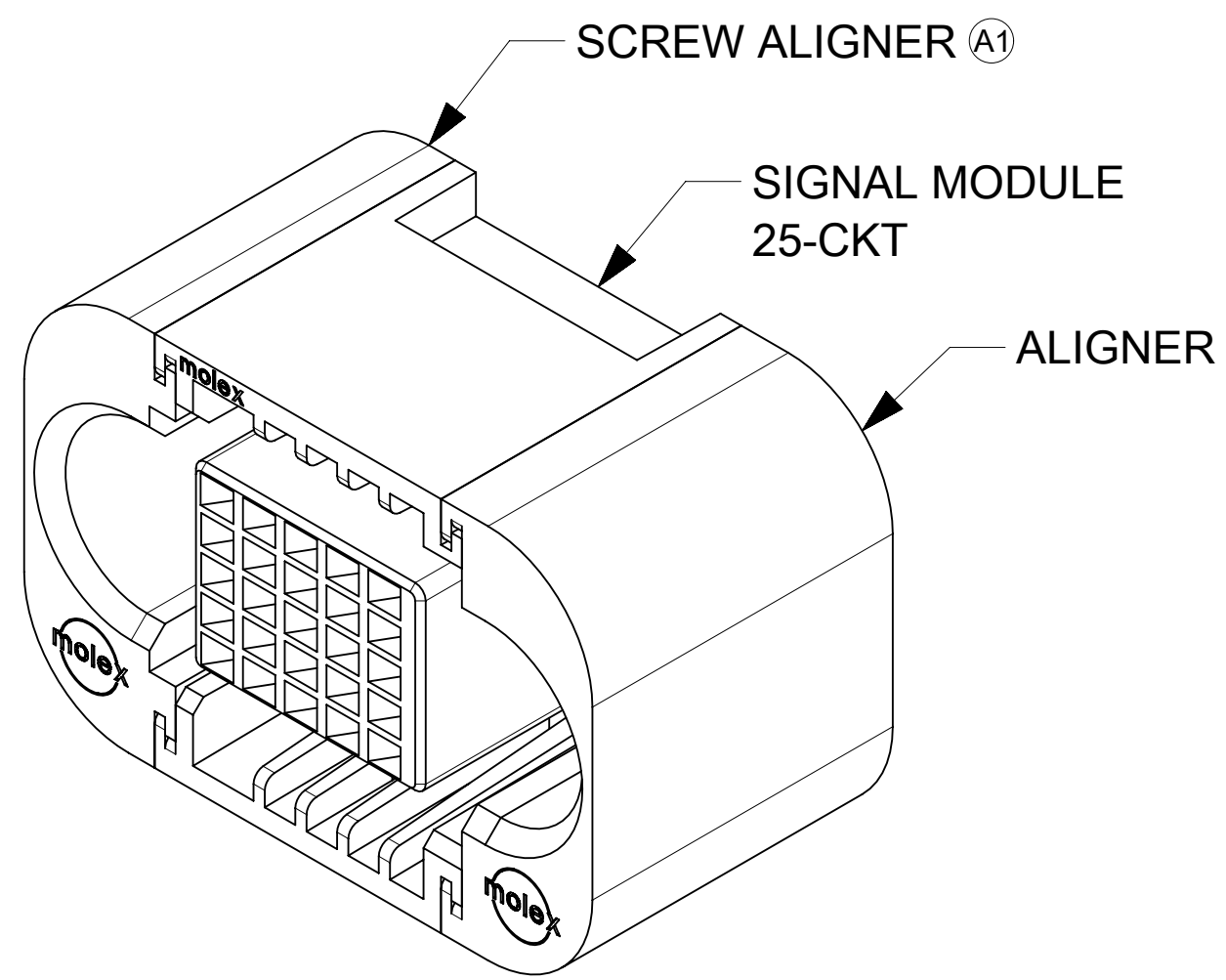
P/N: 46562-3127 (G-10S-G)



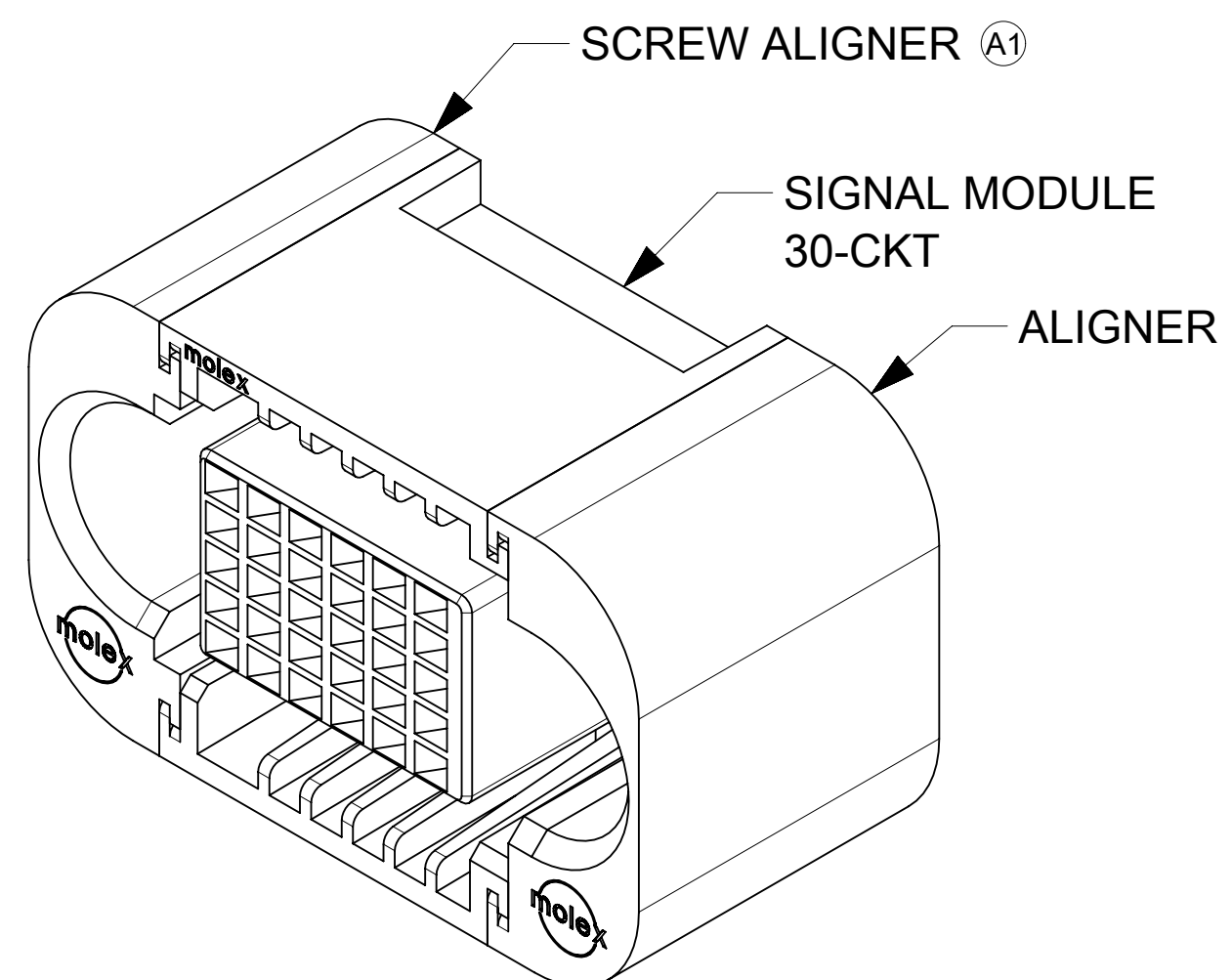
P/N: 46562-3128 (G-15S-G)



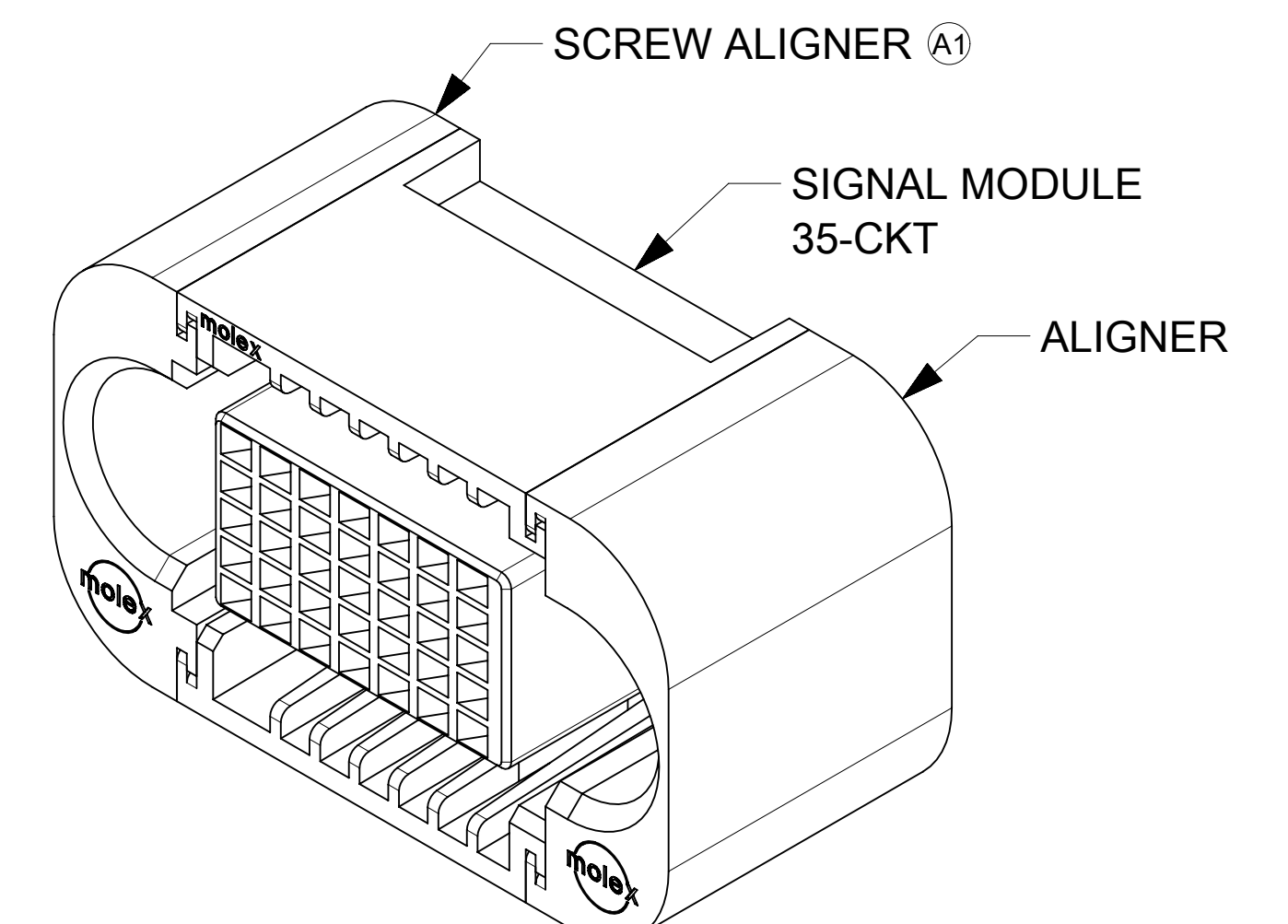
P/N: 46562-3129 (G-20S-G)



P/N: 46562-3130 (G-25S-G)



P/N: 46562-3131 (G-30S-G)



P/N: 46562-3132 (G-35S-G)

THIS DRAWING CONTAINS INFORMATION THAT IS PROPRIETARY TO MOLEX ELECTRONIC TECHNOLOGIES, LLC AND SHOULD NOT BE USED WITHOUT WRITTEN PERMISSION									
DIMENSION UNITS		SCALE		CURRENT REV DESC: REPLACED STANDARD ALIGNER WITH SCREW DOWN ALIGNER, UPDATED DIMENSIONS & ADDED SECTION VIEW B-B					
mm		4:1		<p>molex</p> <p>G-*S-G VERT RECEPTACLE ASSY - TEN60 POWER FAMILY</p> <p>PRODUCT CUSTOMER DRAWING</p> <p>DOCUMENT NUMBER: 465623127 DOC TYPE: PSD DOC PART: 000 REVISION: A1</p> <p>EC NO: 729882 DRWN: ABHIRK 2022/08/11 CHK'D: BHAGAD 2022/08/16 APPR: HTHYAGARAJ 2022/12/12</p> <p>INITIAL REVISION: DRWN: GJEEVANSURES 2022/01/12 APPR: HTHYAGARAJ 2022/02/22</p> <p>DRAFT WHERE APPLICABLE THIRD ANGLE PROJECTION DRAWING SERIES MATERIAL NUMBER CUSTOMER SHEET NUMBER MUST REMAIN WITHIN DIMENSIONS D-SIZE 46562 SEE TABLE GENERAL MARKET 2 OF 2</p>					
GENERAL TOLERANCES (UNLESS SPECIFIED)									
ANGULAR TOL ± 0.5°									
4 PLACES ±									
3 PLACES ±									
2 PLACES ± 0.13									
1 PLACE ± 0.25									
0 PLACES ±									