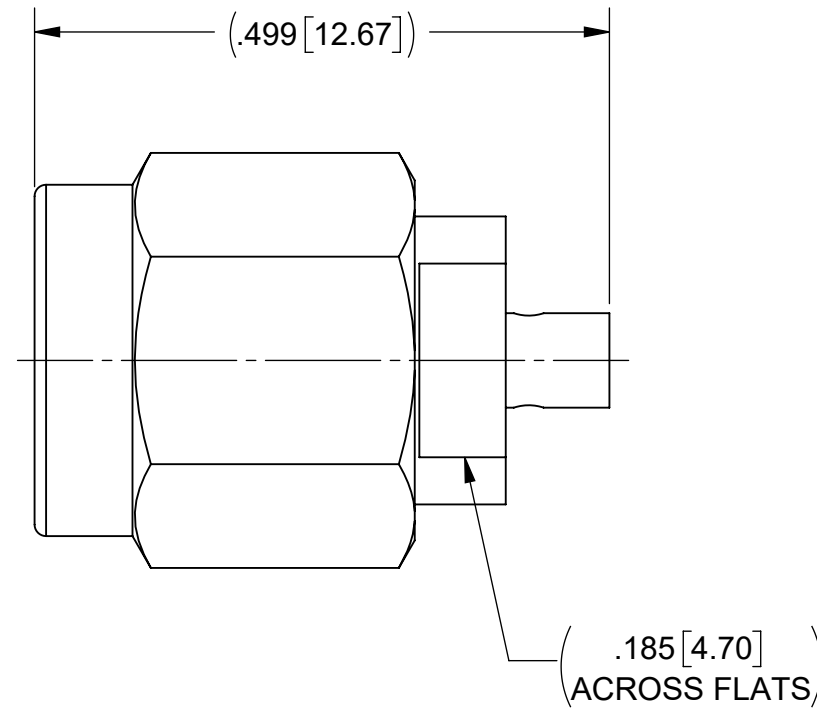
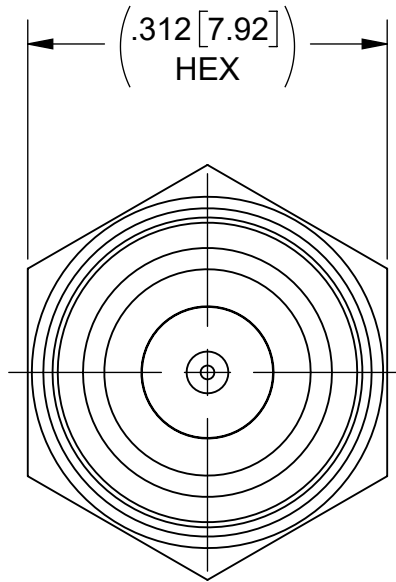
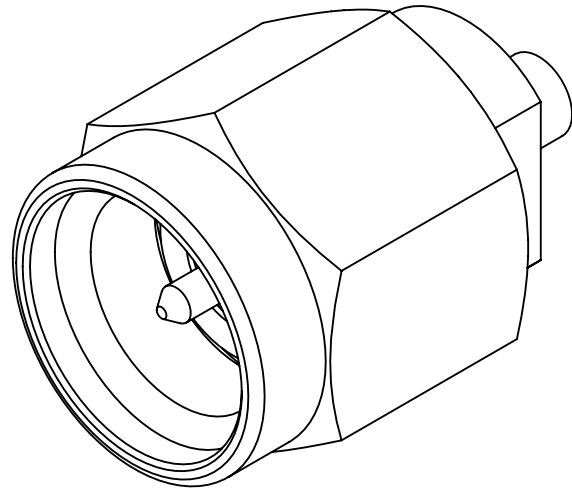


PRODUCT DATA DRAWING

REVISION HISTORY			
REV	DESCRIPTION	DATE	APPROVED
-	NRN 46678	04/22	SEE PDM
A	DCN 51540	04/22	
B	DCN 51622	05/22	



MATERIAL	
BODY, COUPLING NUT	ALUMINUM ALLOY
INSULATOR	PTFE
CONTACT, LOCK RING	BERYLLIUM COPPER
GASKET	VITON

FINISH	
CONTACT, BODY, COUPLING NUT	GOLD OVER NICKEL

MATERIAL:	SEE NOTES
FINISH:	SEE NOTES
SURFACE AREA:	N/A

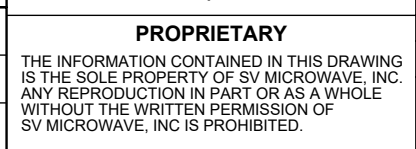
DIMENSIONS ARE IN INCHES TOLERANCES:	
FRACTIONAL: $\pm 1/64$	ANGULAR: X° $\pm 1'0''$ X°X' $\pm 15''$
DECIMAL: X $\pm .030$.XX $\pm .010$
	.XXX $\pm .005$
INTERPRET DIMENSIONS AND TOLERANCES PER ASME Y14.5M - 1994	

UNLESS OTHERWISE SPECIFIED	
1) ALL DIMENSIONS ARE IN INCHES (MILLIMETERS)	
2) ALL DIMENSIONS ARE AFTER PLATING.	
3) BREAK CORNERS & EDGES .005 R. MAX.	
4) CHAM. 1ST & LAST THREADS.	
5) SURFACE ROUGHNESS 63-MIL-STD-10.	
6) DIA: 'S ON COMMON CENTERS TO BE CONCENTRIC WITHIN .005 T.I.R.	
7) REMOVE ALL BURRS	

TITLE: SMA STR. M CONNECTOR FOR STANDARD FLEXTRA CABLE	
SIZE	DWG. NO. 2911-80001

PERFORMANCE	
IMPEDANCE	50 OHMS
FREQ. RANGE	DC TO 18.0 GHZ

PROPRIETARY
THE INFORMATION CONTAINED IN THIS DRAWING IS THE SOLE PROPERTY OF SV MICROWAVE, INC. ANY REPRODUCTION IN PART OR AS A WHOLE WITHOUT THE WRITTEN PERMISSION OF SV MICROWAVE, INC IS PROHIBITED.



DRAWN:	JPM 04/08/2022
CHECKED:	SEE PDM
APPROVED:	SEE PDM

SCALE: 6:1	SHEET 1 OF 1
------------	--------------