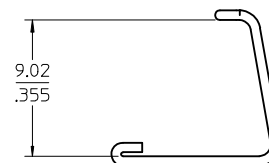
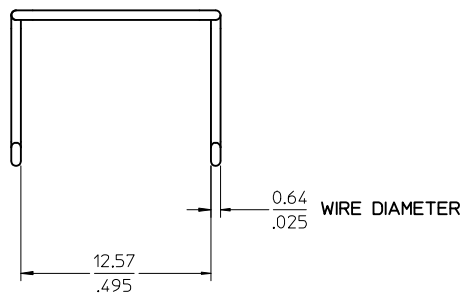
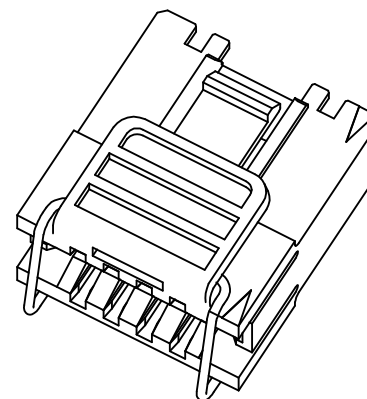
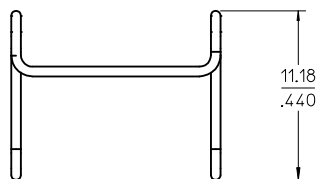


NOTES:

- 1) MATERIAL: .025 DIAMETER STAINLESS STEEL.
- 2) SPRING CLIP TO BE USED WITH 70013-**** INTERIM CLIP CIRCUIT SIZES 8-50.



EC NO: UCP2004-0539 DRWN: DMORGAN 2004/03/22 CHKD: BBARKER 2004/03/22 APPR: SMILLER 2004/04/01	QUALITY SYMBOLS	GENERAL TOLERANCES (UNLESS SPECIFIED)		SCALE	DESIGN UNITS	THIRD ANGLE PROJECTION	REVISE ON CAD ONLY
	▼ - 0 ∇ - 0		mm	INCH	DIMENSION STYLE		TITLE SPRING CLIP FOR INTERIM CLIPS CIRCUIT SIZES 8-50. MOLEX MOLEX INCORPORATED MATERIAL NO. 71809-0001 DOCUMENT NO. SD-71809-001 SHEET NO. 1 OF 1
		4 PLACES	± ---	± ---	MM/IN		
		3 PLACES	± ---	± .010	DRAWN BY	DATE	
2 PLACES	± 0.25	± .025	DMORGAN	03/09/17			
1 PLACE	± .64	± ---	CHECKED BY	DATE	APPROVED BY		DATE
				BBARKER	03/09/17	SMILLER	03/09/17
				ANGULAR ±1/2°		THIS DRAWING CONTAINS INFORMATION THAT IS PROPRIETARY TO MOLEX INCORPORATED AND SHOULD NOT BE USED WITHOUT WRITTEN PERMISSION	
				DRAFT WHERE APPLICABLE			
				MUST REMAIN WITHIN DIMENSIONS			