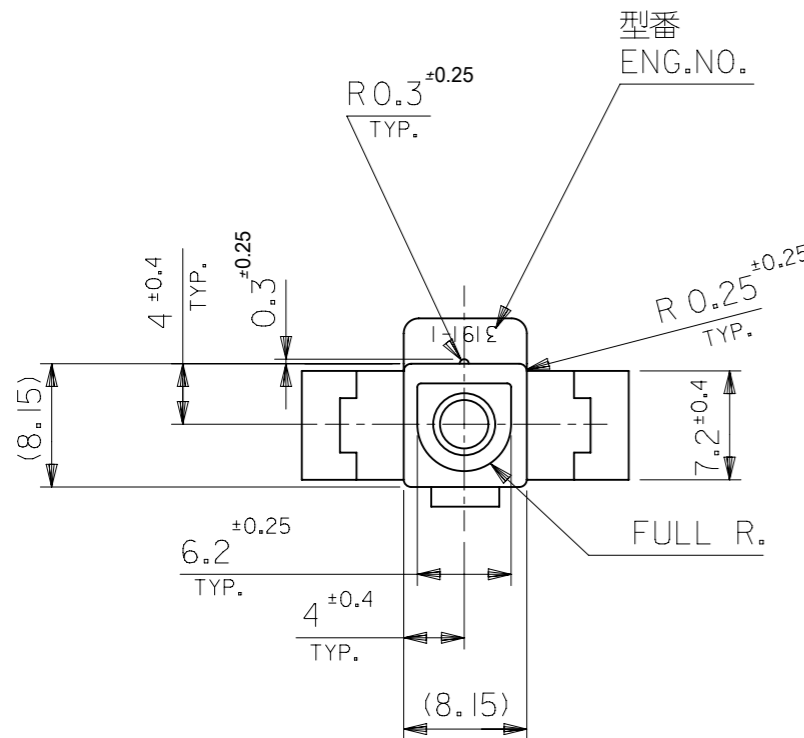


パネル取付穴推奨寸法 (厚さ 2.0 最大)
ハウジングの装着はパネル穴打抜き方向より行うこと
RECOMMENDED PANEL HOLE DIMENSION (THK. 2.0 MAX.)
ATTACH THE HOUSING FROM THE DIRECTION OF
PANEL HOLE PUNCHED OUT

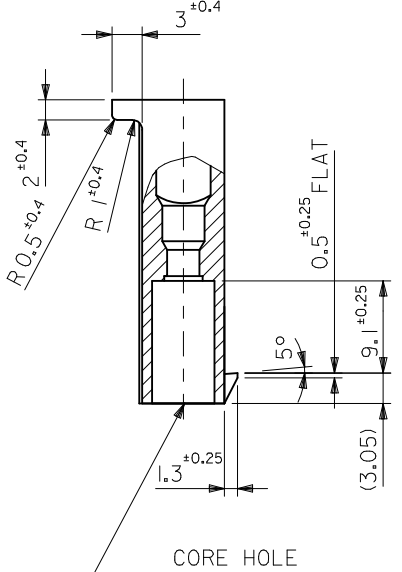
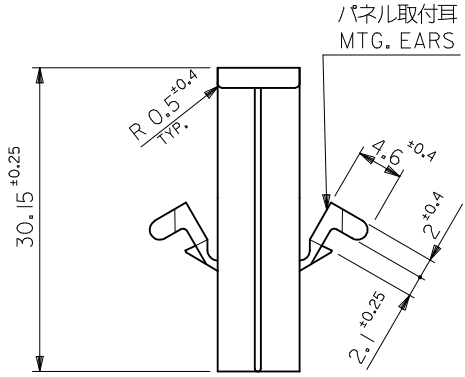
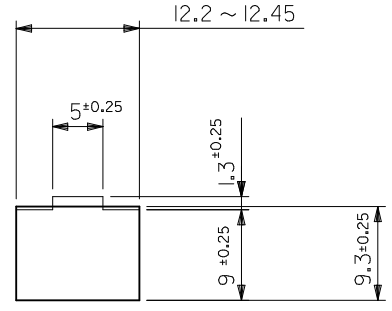
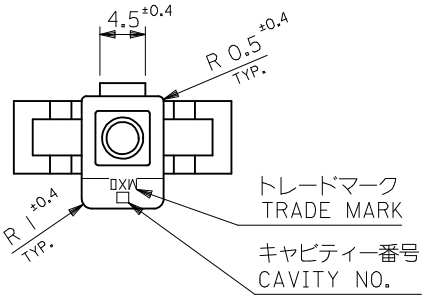
注記
NOTE
() 内寸法は参考値
DIMENSIONS IN () ARE REFERENCE



自然色 NATURAL	39-03-6010	3191-01P	NYLON66	94V-2
PENDING APPROVAL	POLYBAG PACKAGE	モデル番号 MODEL No.	材質 MATERIAL	UL
	オ - ダー番号 ORDER NO.			

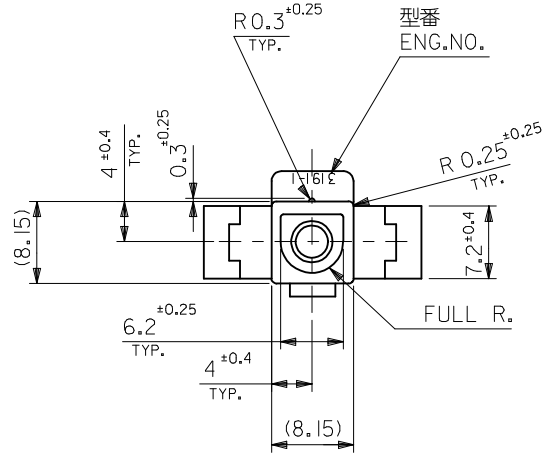
THIS DRAWING CONTAINS INFORMATION THAT IS PROPRIETARY TO MOLEX ELECTRONIC TECHNOLOGIES, LLC AND SHOULD NOT BE USED WITHOUT WRITTEN PERMISSION									
DIMENSION UNITS		SCALE		CURRENT REV DESC: OBSOLETE PART NUMBERS					
mm		2:1		<p>1 CKT. PLUG HS'G (.093 DIA. TERMINAL)</p> <p>PRODUCT CUSTOMER DRAWING</p>					
GENERAL TOLERANCES (UNLESS SPECIFIED)									
4 PLACES ±		±							
3 PLACES ±		±							
2 PLACES ±		±		EC NO: 650267		2020/10/19		DRWN: SKANDB	
1 PLACE ±		±		CHK'D:		APPR:		INITIAL REVISION:	
0 PLACES ±		±		DRWN: M.NABEI		2007/05/10		2007/05/10	
ANGULAR TOL ± °		°		APPR: N.UKITA		2007/05/10		SD-3191-001	
DRAFT WHERE APPLICABLE MUST REMAIN WITHIN DIMENSIONS		THIRD ANGLE PROJECTION		DRAWING		SERIES		MATERIAL NUMBER	
				A3-SIZE		3191		SEE TABLE	
				GENERAL MARKET		1 OF 1			

DOCUMENT STATUS	RQ	RELEASE DATE	
-----------------	----	--------------	--



パネル取付穴推奨寸法(厚さ2.0最大)
 ハウジングの装着はパネル穴打抜き方向より行うこと
 RECOMMENDED PANEL HOLE DIMENSION(THK. 2.0 MAX.)
 ATTACH THE HOUSING FROM THE DIRECTION OF
 PANEL HOLE PUNCHED OUT

注記
 NOTE
 () 内寸法は参考値
 DIMENSIONS IN () ARE REFERENCE



39-03-6011	3191-01P-201	NYLON66	94V-0
39-03-6010	3191-01P	NYLON66	94V-2
POLYBAG PACKAGE	モデル番号 MODEL No.	材質 MATERIAL	UL
オーダー番号 ORDER NO.			

REVISED EC NO.: J2013-0829 DRWN: KASHIO 2013/01/31 CHKD: KASAKAWA 2013/01/31 APPR: Y01TO 2013/04/16	GENERAL TOLERANCES (UNLESS SPECIFIED)		DIMENSION STYLE	SCALE	DESIGN UNITS	THIRD ANGLE PROJECTION
			MM ONLY	2:1	METRIC	
	10 UNDER	±---	DRAWN BY	DATE	TITLE	
	10 OVER 30 UNDER	±---	H. IJIMA	'96/06/21	1CKT. PLUG HS'G (.093 DIA. TERMINAL)	
30 OVER	±---	CHECKED BY	DATE			
		M. FUKUSHIMA	'96/06/21			
		APPROVED BY	DATE			
		M. ENOMOTO	'96/06/21			
	ANGULAR ±---°	MATERIAL NO.	DOCUMENT NO.		SHEET NO.	
	DRAFT WHERE APPLICABLE MUST REMAIN WITHIN DIMENSIONS	SEE TABLE	SD-3191-006		1 OF 1	
		SIZE A3	THIS DRAWING CONTAINS INFORMATION THAT IS PROPRIETARY TO MOLEX INCORPORATED AND SHOULD NOT BE USED WITHOUT WRITTEN PERMISSION			