



key-operated switch Siemens, 22 mm, round, plastic, lock number SSG10, with 2 keys, 3 switch positions I-O<II, left latching, momentary contact type on the right, actuating angle 2x45°, 10:30h/12h/13:30h, key removal O Z=50-unit packaging

<b>product brand name</b>	SIRIUS ACT
<b>product designation</b>	Key-operated switches
<b>design of the product</b>	Actuating/signaling element
<b>product type designation</b>	3SU1
<b>product line</b>	Plastic, black, 22 mm
<b>manufacturer's article number of included key</b>	<a href="#">3SU1950-0FP80-0AA0</a>
<b>Actuator</b>	
<b>principle of operation of the actuating element</b>	latching/momentary contact, 2x45° (10:30 h/12 h/13:30 h), return from right, left latching
<b>product extension optional light source</b>	No
<b>color</b>	
• of the actuating element	silver
<b>material of the actuating element</b>	metal
<b>shape of the actuating element</b>	Key
<b>outer diameter of the actuating element</b>	29.5 mm
<b>number of switching positions</b>	3
<b>switch position for key distraction</b>	O
<b>actuating angle</b>	
• clockwise	45°
• anticlockwise	45°
<b>lock make</b>	Siemens
<b>key number</b>	SSG10
<b>Front ring</b>	
<b>product component front ring</b>	Yes
<b>design of the front ring</b>	Standard
<b>material of the front ring</b>	plastic
<b>color of the front ring</b>	black
<b>General technical data</b>	
<b>protection class IP</b>	IP66, IP67, IP69(IP69K)
• of the terminal	IP20
<b>degree of protection NEMA rating</b>	1, 2, 3, 3R, 4, 4X, 12, 13
<b>shock resistance</b>	
• according to IEC 60068-2-27	sinusoidal half-wave 15g / 11 ms
• for railway applications according to EN 61373	Category 1, Class B
<b>vibration resistance</b>	
• according to IEC 60068-2-6	10 ... 500 Hz: 5g
• for railway applications according to EN 61373	Category 1, Class B
<b>operating frequency maximum</b>	1 800 1/h
<b>mechanical service life (switching cycles) typical</b>	1 000 000

reference code according to IEC 81346-2	S
Substance Prohibitance (Date)	10/01/2014
<b>Safety related data</b>	
B10 value with high demand rate according to SN 31920	300 000
<b>proportion of dangerous failures</b>	
• with low demand rate according to SN 31920	20 %
• with high demand rate according to SN 31920	20 %
failure rate [FIT] with low demand rate according to SN 31920	100 FIT
<b>Ambient conditions</b>	
<b>ambient temperature</b>	
• during operation	-25 ... +70 °C
• during storage	-40 ... +80 °C
environmental category during operation according to IEC 60721	3M6, 3S2, 3B2, 3C3, 3K6 (with relative air humidity of 10 ... 95%)
<b>Installation/ mounting/ dimensions</b>	
height	29.5 mm
width	29.5 mm
shape of the installation opening	round
mounting diameter	22.3 mm
positive tolerance of installation diameter	0.4 mm
mounting height	61 mm
installation width	29.5 mm
installation depth	25.4 mm
<b>Certificates/ approvals</b>	
<b>Further information</b>	

Information- and Downloadcenter (Catalogs, Brochures,...)

<https://www.siemens.com/ic10>

Industry Mall (Online ordering system)

<https://mall.industry.siemens.com/mall/en/en/Catalog/product?mlfb=3SU1000-5BN01-0AA0-Z X90>

Cax online generator

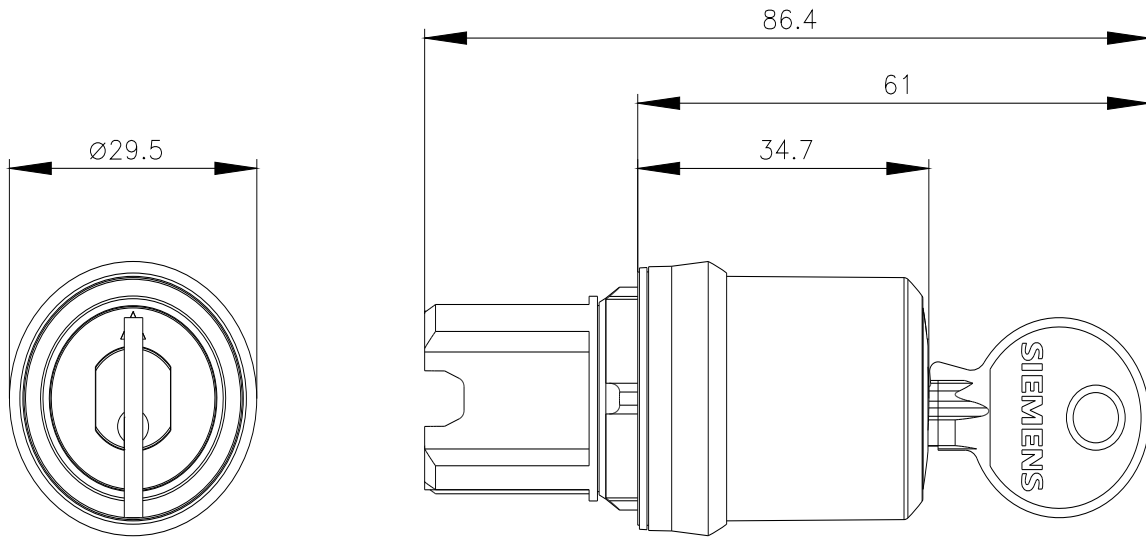
<http://support.automation.siemens.com/WW/CAXorder/default.aspx?lang=en&mlfb=3SU1000-5BN01-0AA0-Z X90>

Service&Support (Manuals, Certificates, Characteristics, FAQs,...)

<https://support.industry.siemens.com/cs/ww/en/ps/3SU1000-5BN01-0AA0-Z X90>

Image database (product images, 2D dimension drawings, 3D models, device circuit diagrams, EPLAN macros, ...)

[http://www.automation.siemens.com/bilddb/cax\\_de.aspx?mlfb=3SU1000-5BN01-0AA0-Z X90&lang=en](http://www.automation.siemens.com/bilddb/cax_de.aspx?mlfb=3SU1000-5BN01-0AA0-Z X90&lang=en)



last modified:

1/26/2022 