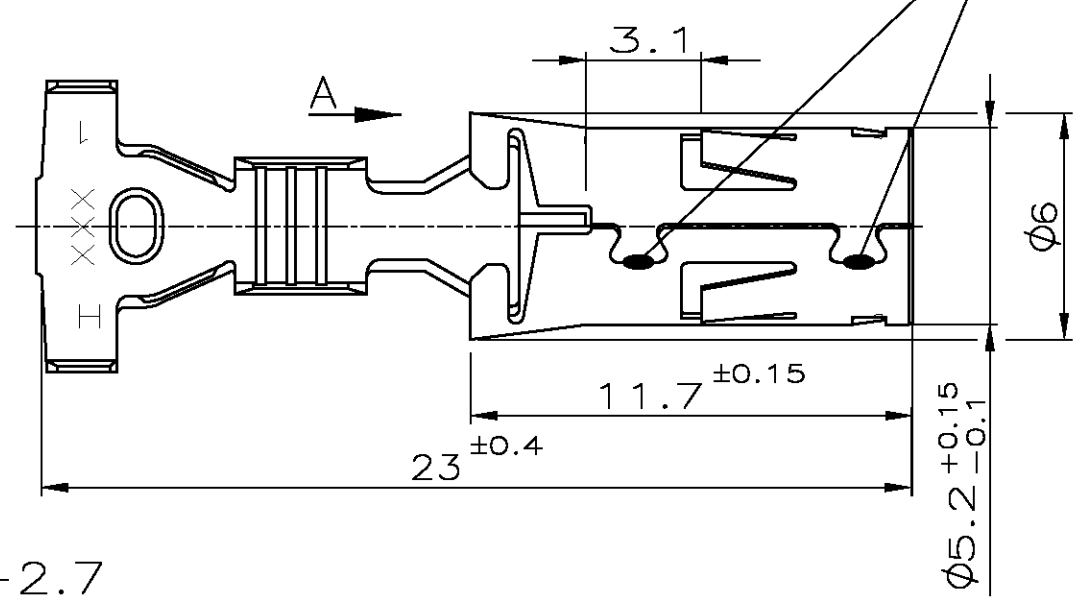
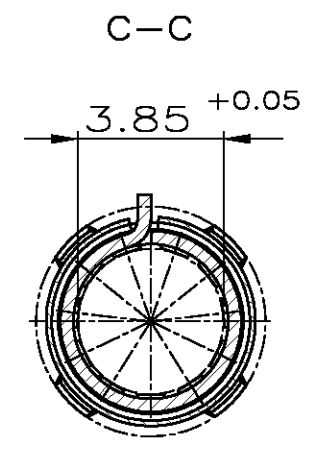
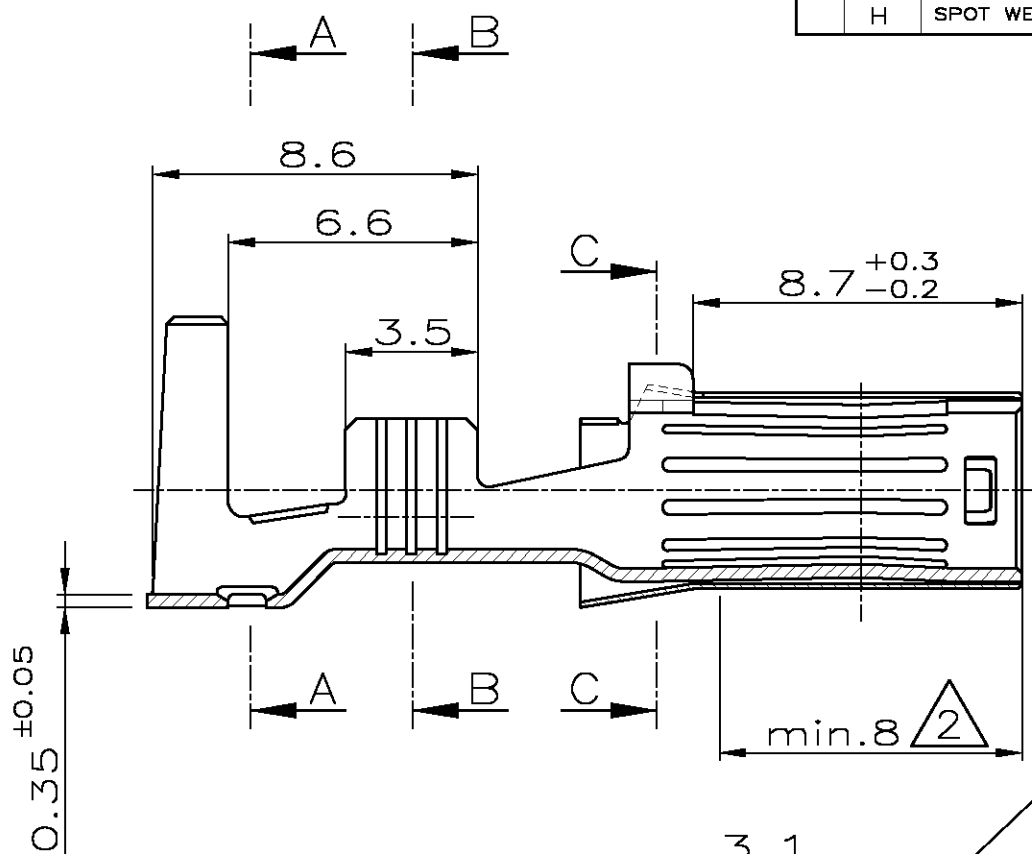
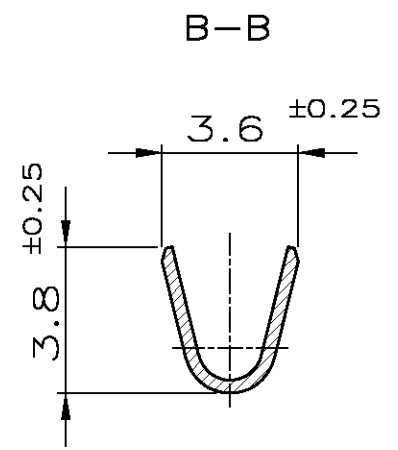
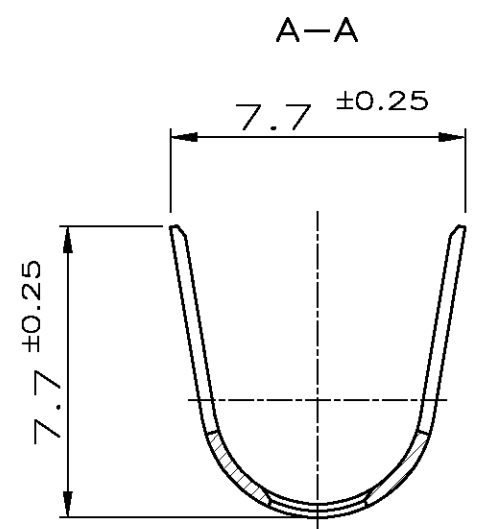
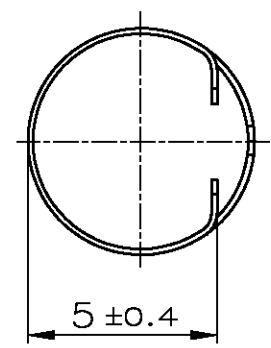


THIS DRAWING IS UNPUBLISHED. RELEASED FOR PUBLICATION  
 © COPYRIGHT - By - ALL RIGHTS RESERVED.

LOC	DIST	REVISIONS			
P	LTR	DESCRIPTION	DATE	DWN	APVD
A1	-				
F		DOVE TAIL ADDED / Schwalbenschwanz eingefuegt	28JUL2006	C.H.	C.G.
G		DRAWING ADAPTED / Zeichnung angepasst	14AUG2007	Abr	C.G.
H		SPOT WELDING CHANGED INTO LINE WELDING	27SEP2012	Sch	Abr



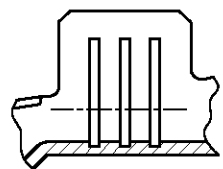
Teilansicht A



NOTES  
Bemerkungen

- 1 1-3µm Sn  
1-3µm Sn
- 2 3-4µm GALVANIC Ag  
REST GALV. Sn (1-3µm)  
3-4µm galvanisch Ag  
Rest galv. Sn (1-3µm)
- 3 WIRE RANGE  
Drahtgrossenbereich (mm<sup>2</sup>): >1-2.5
- 4 INSULATION RANGE FOR SWS Ø6 (mm): 2.0-2.7  
Isolationsbereich fuer EDS Ø6

OPTIONAL



- 2
- 1

MATERIAL	FINISH	PART NO.	REV.
GERMAN SILVER Neusilber	PLAIN/blank	0-962954-5	H
CuNiSi	PRESILVERED vorversilbert	0-962954-2	H
CuNiSi	PRETINNED vorverzinnt	0-962954-1	H

THIS DRAWING IS A CONTROLLED DOCUMENT.

DIMENSIONS: mm	TOLERANCES UNLESS OTHERWISE SPECIFIED: 0 PLC ± 1 PLC ± ±0.2mm 2 PLC ± ± 3 PLC ± ± 4 PLC ± ± ANGLES ±1.5° FINISH
MATERIAL	FINISH

DWN E. Palmie	06FEB1995
CHK H. Lutsch	06FEB1995
APVD	-
PRODUCT SPEC	108-18472
APPLICATION SPEC	114-18118
WEIGHT	-
CUSTOMER DRAWING	



NAME Ø 4MM SOCKET CONTACT, SWS Ø 4mm Buchsenkontakt, EDS			
SIZE A3	CAGE CODE 00779	DRAWING NO C-962954	RESTRICTED TO
SCALE 5:1	SHEET 1 OF 1	REV H	