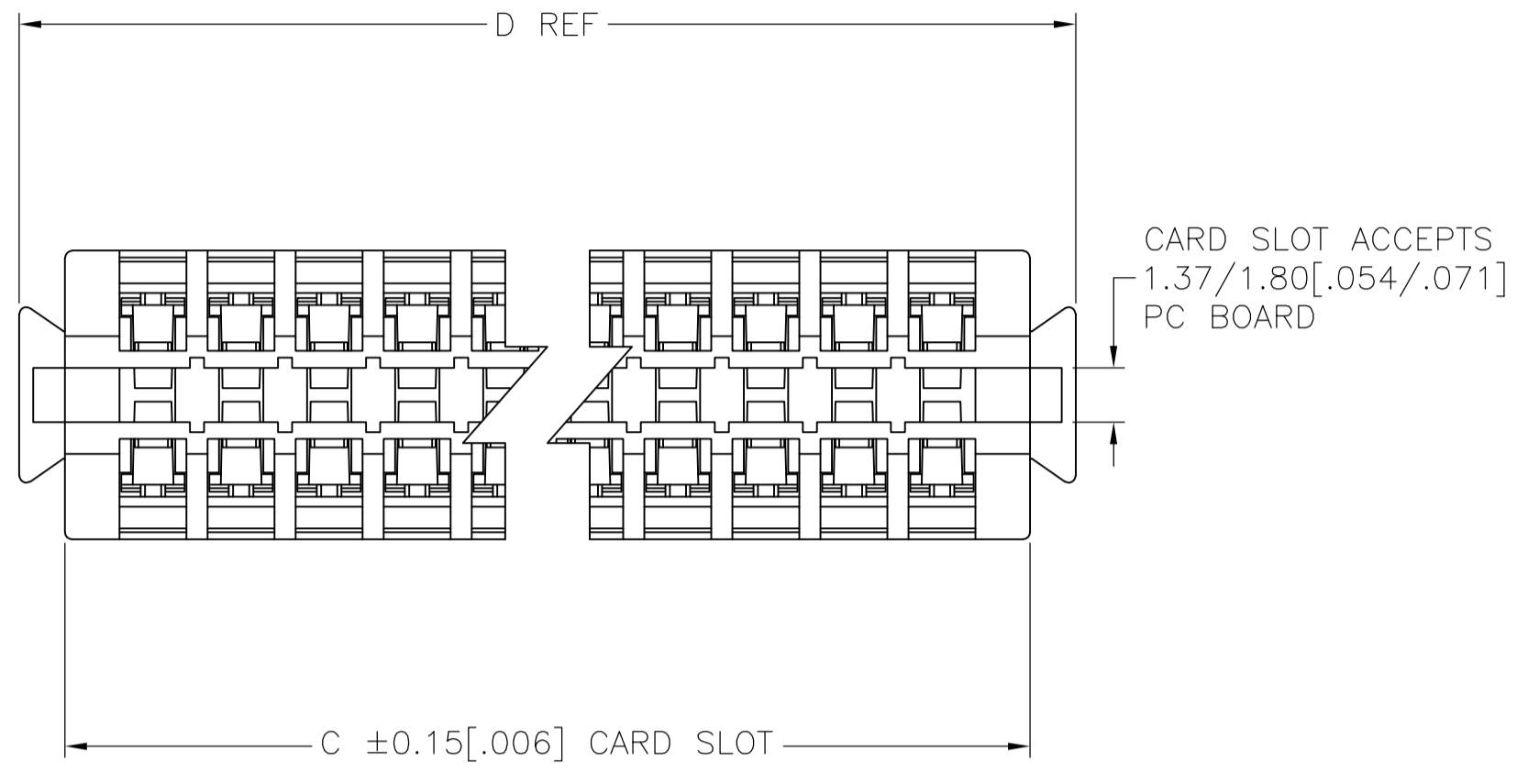


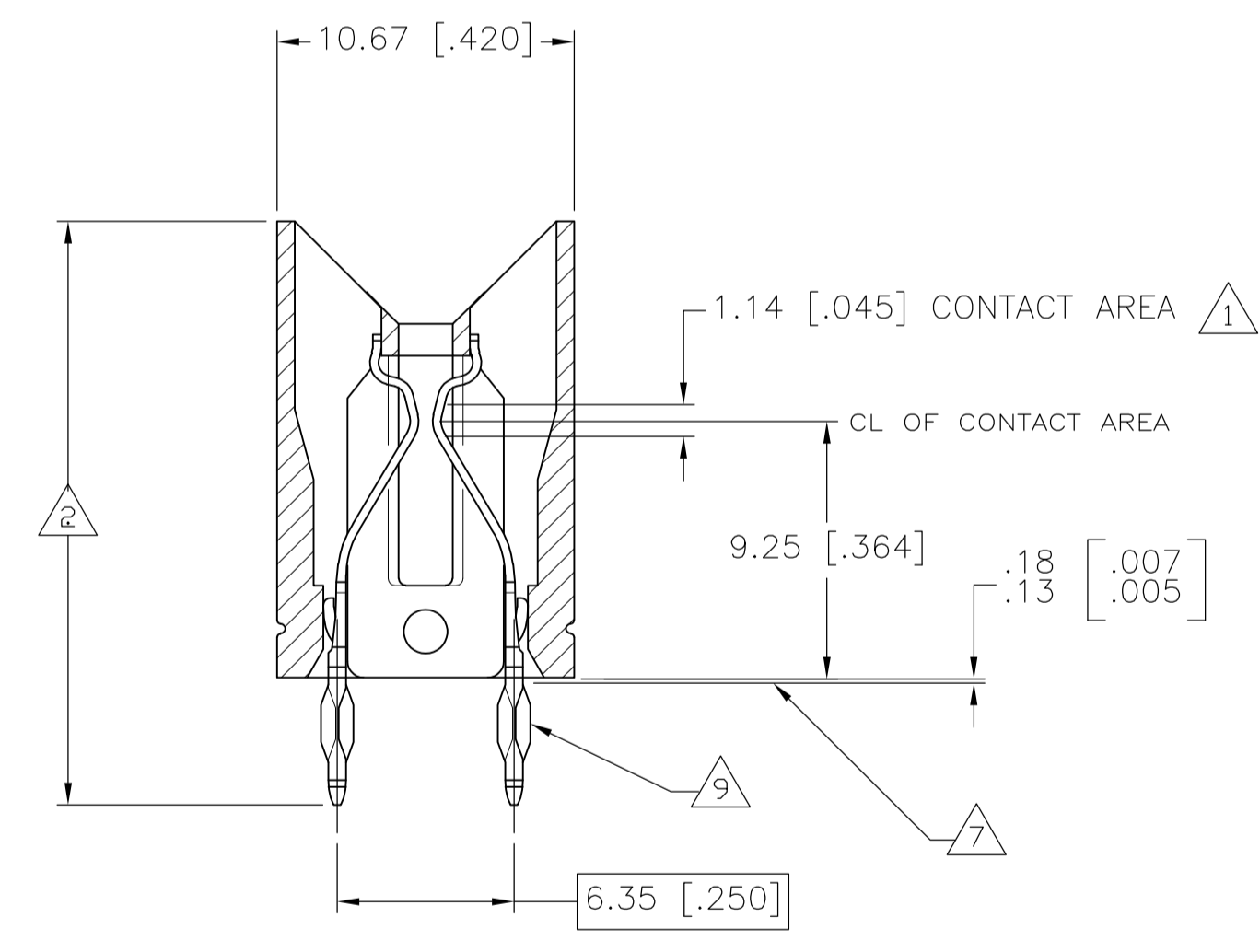
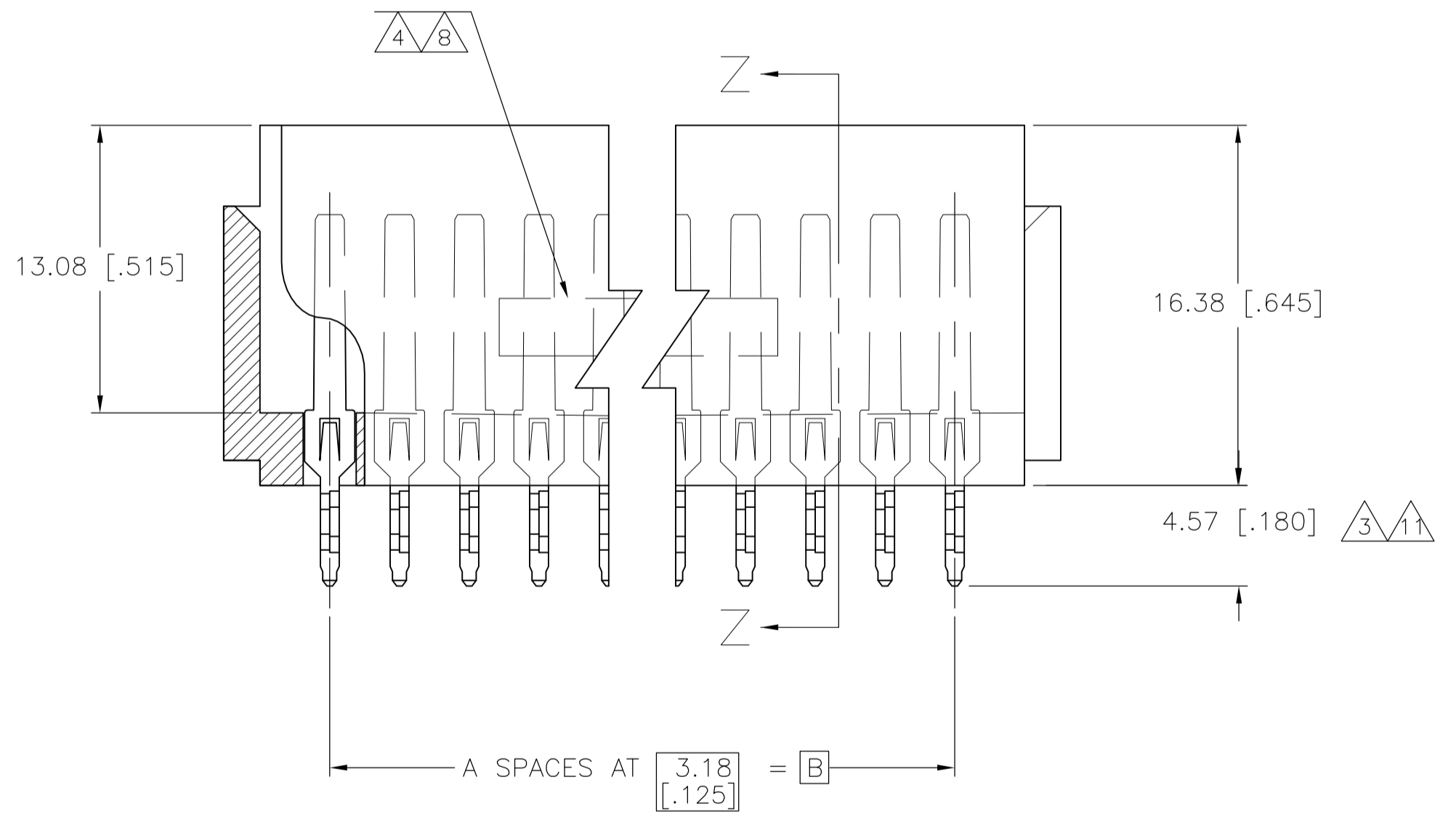
REVISIONS					
P	LTR	DESCRIPTION	DATE	DMN	APVD
E		REVISED PER ECO-17-002617	27FEB2017	SY	SY



- ① GOLD PLATE .00076 [.000030] MIN THICK.
- ② NICKEL PL .00127 [.000050] MIN THK PER QQ-N-290
- ③ SOLDER PL .00254 [.000100] MIN THK.
- ④ STAMPED P/N & DATE CODE.
- ⑤ OPTIONAL: KEYING PLUG FOR INTERCONTACT KEYING IS 118982-1
- ⑥ OPTIONAL: CARD GUIDE (BASE NO 117169)
- ⑦ TOP SURFACE OF P.C. BOARD AFTER APPLICATION DUE TO MYLAR THICKNESS.
- ⑧ ALL PARTS ASSEMBLED IN MEXICO MUST BE STAMPED "ASSY IN MEXICO". THE WORD "MEXICO" CAN BE SUBSTITUTED ONLY WHERE PART SIZE PROHIBITS STAMPING "ASSY IN MEXICO", INK COLOR WHITE PER 115-9009, APPROX WHERE SHOWN, SIDE OPTIONAL.
- ⑨ ACTION PIN REQUIRES 2.13 [.084] MIN THK PC BOARD.

REQ'D DRILL SIZE	HOLE DIA ±.03 [.001]	PLATING THICKNESS		HOLE DIAMETER		COPPER HARDNESS (KNOOP)	PAD DIA MIN	
		COPPER	TIN/LEAD	AFTER PLATING	AFTER REFLOW			
1.15mm	1.15 [.0453]	0.03-0.08 [.001-.003]	0.008 MIN [.0003] MIN	0.94-1.09 [.037-.043]	0.914-1.09 [.0036-.043]	150 MAX	1.57 [.062]	
1.15mm	1.15 [.0453]	NOT PLATED THRU						1.65 [.065]

- ⑩ MATERIAL: HOUSING - VALOX 420SEO, BLACK
CONTACTS - COPPER NICKEL
STRIP - MYLAR, CLEAR
- ⑪ MATTE TIN PL .00254 [.000100] MIN THK.
- ⑫ OBSOLETE PARTS: OBSOLETE CIS STREAMLINING PER D.RENAUD/D.SINISI



SECTION Z-Z

⑫	OBSOLETE	⑪	120.78 [4.755]	117.48 [4.625]	111.12 [4.375]	35	36	5-678034-2
⑫	OBSOLETE	⑪	101.73 [4.005]	98.43 [3.875]	92.09 [3.625]	29	30	5-678034-1
		③	120.78 [4.755]	117.48 [4.625]	111.12 [4.375]	35	36	678034-2
⑫	OBSOLETE	③	101.73 [4.005]	98.43 [3.875]	92.09 [3.625]	29	30	678034-1
	FINISH		D	C	B	A	NO OF POSN	PART NUMBER

THIS DRAWING IS A CONTROLLED DOCUMENT.

DMN: R BROWN	01AUG00	 TE Connectivity
CHK: M MILLER	01AUG00	
APVD: M MILLER	01AUG00	NAME: CONNECTOR, AMP PACE .125x.250
TOLERANCES UNLESS OTHERWISE SPECIFIED:		SIZE: A1
0 PLC ± -		CAGE CODE: 00779
1 PLC ± -		DRAWING NO: 678034
2 PLC ± -		RESTRICTED TO: -
3 PLC ± 0.25 [.010]		SCALE: 4:1
4 PLC ± -		SHEET: 1 OF 1
ANGLES ± -		REV: E
MATERIAL: ⑩	FINISH: ①②③④⑤	CUSTOMER DRAWING