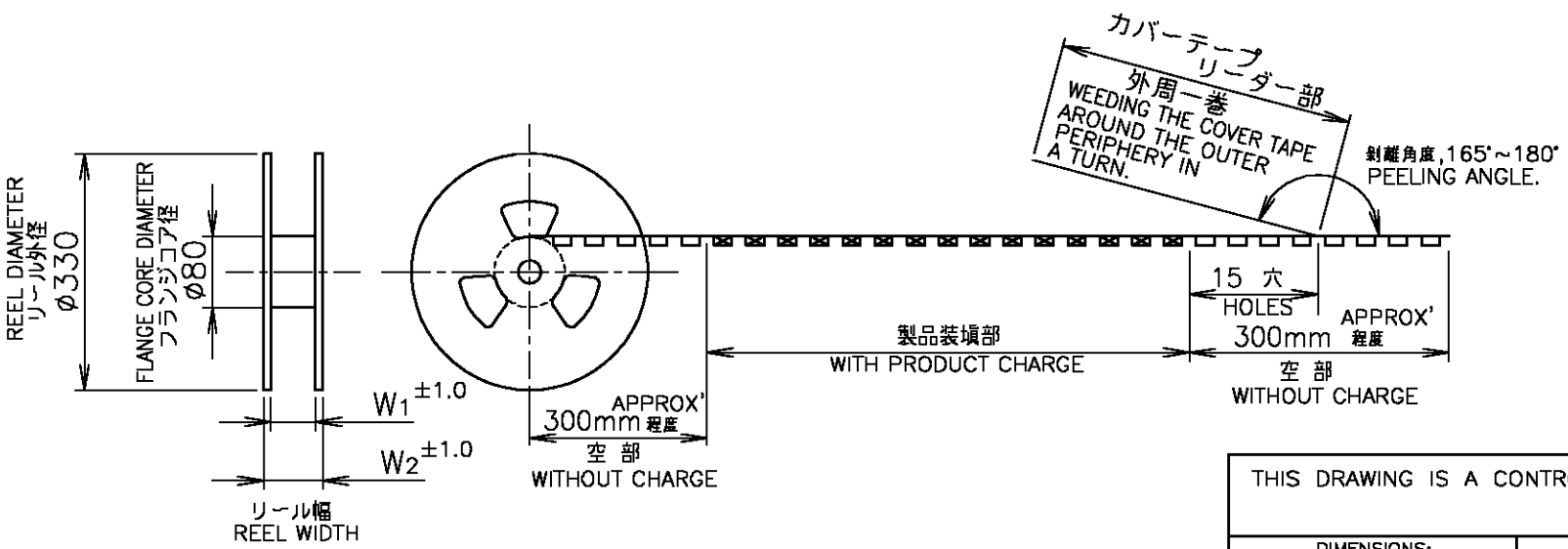
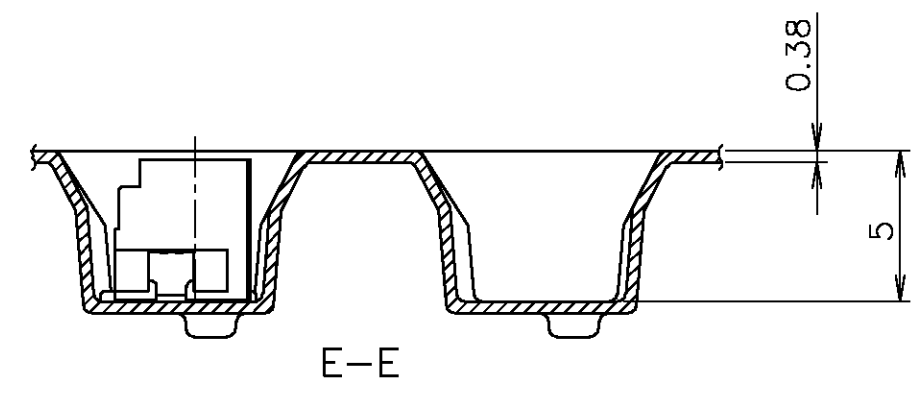
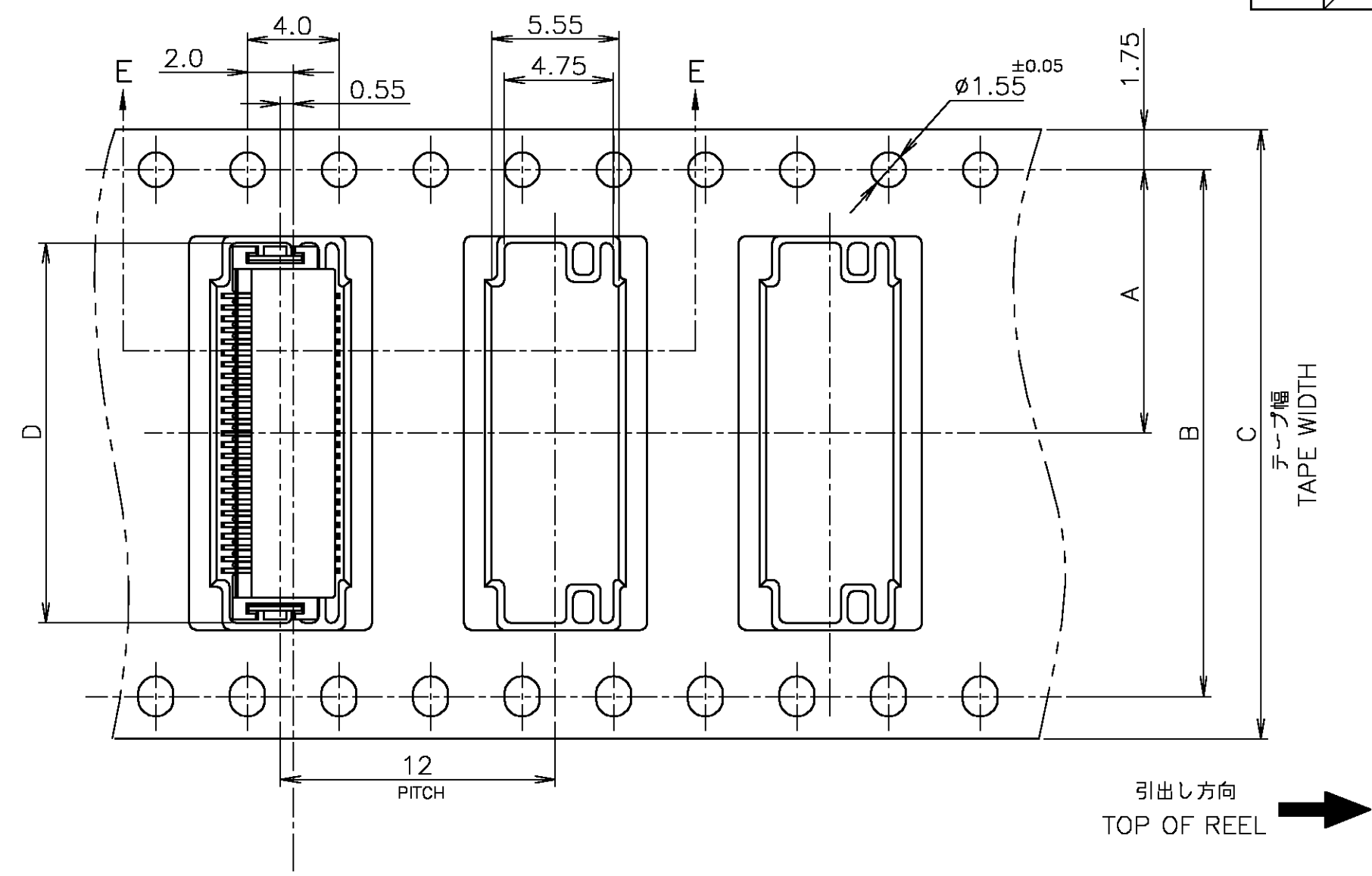


THIS DRAWING IS UNPUBLISHED. RELEASED FOR PUBLICATION APR, 1997.
 © COPYRIGHT 2004 BY TYCO ELECTRONICS CORPORATION. ALL RIGHTS RESERVED.

LOC	DIST	REVISIONS					
		P	LTR	DESCRIPTION	DATE	DWN	APVD
J		0	RELEASED	FJB0-0396-04	23APR04	Y.N	H.M



カバーテープリーダー部
 外周一卷
 WEEDING THE COVER TAPE
 AROUND THE OUTER PERIPHERY IN A TURN.
 剝離角度, 165°~180°
 PEELING ANGLE.

鉛フリー
 LEAD FREE

THIS DRAWING IS A CONTROLLED DOCUMENT.

DIMENSIONS: 単位: 筈 MM	TOLERANCES UNLESS OTHERWISE SPECIFIED: 一般公差
	0 PLC ± 0.3
	1 PLC ± 0.3
	2 PLC ± 0.3
	3 PLC ± 0.3
	4 PLC ± 0.3
	ANGLES ± 3'
MATERIAL 材料	FINISH 仕上

INSTRUCTION SHEET 取扱説明書 411-5808	WIRE RANGE 抱合電線断面積	INSULATION DIA 被覆外径
DWN Y.NAKAZAWA 23APR04	Tyco Electronics AMP K.K. Kawasaki, Japan	
CHK T.KUSUHARA 23APR04	NAME 名称	
APVD H.MURAMATSU 23APR04	ON TAPING (EMBOSS) 0.5mm PITCH FINE MATE CONN. TAB ASSEMBLY (H-TYPE)	
PRODUCT SPEC 製品規格 108-5496	SIZE A3	CAGE CODE 00779
APPLICATION SPEC 取付適用規格	DRAWING NO 番号 C-1747025	RESTRICTED TO
WEIGHT	SCALE 尺度 4:1	SHEET 1 OF 2
CUSTOMER DRAWING		REV 0

THIS DRAWING IS UNPUBLISHED. RELEASED FOR PUBLICATION APR, 1997.
 © COPYRIGHT 2004 BY TYCO ELECTRONICS CORPORATION. ALL RIGHTS RESERVED.

LOC	DIST	REVISIONS					
		P	LTR	DESCRIPTION	DATE	DWN	APVD
J			-	SEE SHEET 1	-	-	-

鉛フリー
LEAD FREE

WITH BOSS	36.7	33.5	0.4	22.2	32	28.4	14.2	1000	70	5-1747023-4	5-1747022-4
	49.5	45.5	0.38	24.7	40	40.4	20.2	1000	80	5-1747023-3	5-1747022-3
WITHOUT BOSS	20.2	17.5	0.38	9.1	16	≠	7.5	1000	20	1747026-9	1747025-9
	29.5	25.5	0.38	16.6	24	≠	11.5	1000	50	1747026-6	1747025-6
	37.5	33.5	0.38	19.1	32	28.4	14.2	1000	60	1747026-5	1747025-5
	37.5	33.5	0.38	21.6	32	28.4	14.2	1000	70	1747026-4	1747025-4
	49.5	45.5	0.4	24.1	44	40.4	20.2	1000	80	1747023-3	1747025-3
	49.5	45.5	0.38	29.1	40	40.4	20.2	1000	100	1747026-1	1747025-1
BOSS	W2	W1	E	D	C	B	A	QTY/REEL	POS	CONNECTOR P/N	TAPING P/N
DIMENSIONS											

INSTRUCTION SHEET 取扱説明書	411-5808	WIRE RANGE 包含電線断面積		INSULATION DIA 被覆外径	
DWN	tyco Tyco Electronics AMP K.K. Kawasaki, Japan				
CHK	Electronics				
APVD	NAME 名称 ON TAPING (EMBOSS) 0.5mm PITCH FINE MATE CONN. TAB ASSEMBLY (H-TYPE)				
PRODUCT SPEC 製品規格	108-5496				
APPLICATION SPEC 取付適用規格					
WEIGHT	SIZE	CAGE CODE	DRAWING NO 番号	RESTRICTED TO	
	A3	00779	C-1747025		
CUSTOMER DRAWING			SCALE 尺度	SHEET	REV
			4:1	2 OF 2	0

THIS DRAWING IS A CONTROLLED DOCUMENT.	
DIMENSIONS: 単位: 純 MM	TOLERANCES UNLESS OTHERWISE SPECIFIED: 一般公差
	0 PLC ± 0.3
	1 PLC ± 0.3
	2 PLC ± 0.3
	3 PLC ± 0.3
	4 PLC ± 0.3
ANGLES	± 3'
MATERIAL 材料	FINISH 仕上