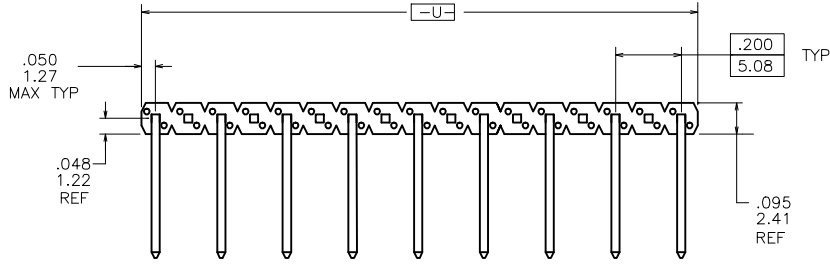
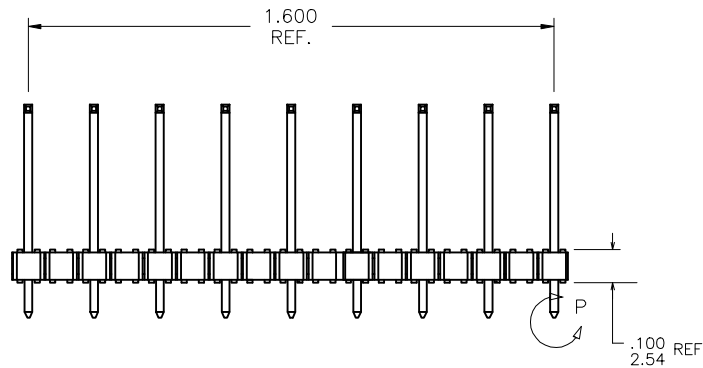


PRODUCT NUMBER  
10063847-XXX HLF

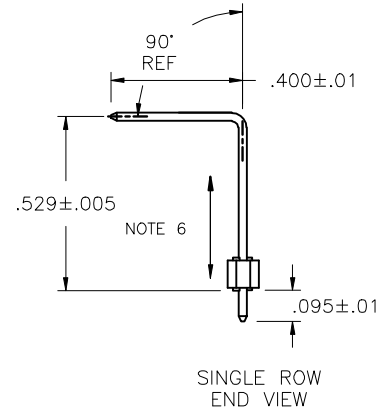
- LEAD FREE  
SEE NOTE 1
- HIGH TEMPERATURE PLASTIC  
SEE NOTE 1
- NO OF POSITIONS  
SEE NOTE 1
- PIN PLATING  
SEE SHEET 2
- BASE PART NO.



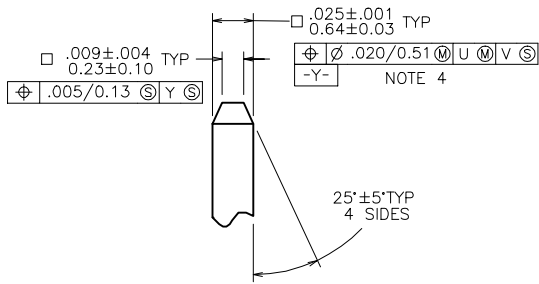
MATTING TOP VIEW



SIDE VIEW



SINGLE ROW END VIEW



DETAIL P  
TYP BOTH ENDS

mat'l code		surface ISO 1302		tolerance ISO 406 ISO 1101		projection		product family BERGSTIK	
ltr	ecr no	dr	date	tolerances unless otherwise specified				title	
A	M05-0248	MHT	11/22/05	angles	linear	XX±.01/XX±0.3	INCH/MM		BERGSTIK® HEADER .100/2.54cc S/R
B	M06-0271	AGS	7/14/06			XXX±.005/XX±0.13	scale 1:1		
C	M08-0279	MHT	9/30/08	0°±2'		XXXX±.0020/XXX±0.05			
		dr	M.HERNANDEZ	11/22/05		FCJ		dwg no sheet 1 of 2 size	
		enr	S. FIERRO	11/22/05				10063847 A3	
		chr	S. FIERRO	11/22/05				type Product Customer Drawing	
		appd	S. FIERRO	11/22/05					
sheet index	revision sheet	C	C						
		1	2						



Copyright FCJ

PIN PLATING CODES:	WIRE CODES:	
XXXXXX-4YYHLF	100u"/2.54u MIN Sn OVER 50u"/1.27u MIN Ni	NOTE 8

NOTES

- ①. PART NUMBER OPTIONS:  
 PIN PLATING CODES (SEE ABOVE)  
 HIGH TEMP. MATERIAL:  
 FOR HIGH-TEMPERATURE APPLICATIONS, SPECIFY AN "H" AT THE END OF THE PART NUMBER, AND PCT WILL BE SUPPLIED.  
 NUMBER OF POSITION:  
 ANY NUMBER OF POSITIONS FROM 1 THRU 18.  
 PACKAGING:  
 PACKAGED IN POLY BAGS.  
 LEAD FREE:  
 PART NUMBERS WITH "LF" SUFFIX AT THE END ARE LEAD FREE.
- ②. BODY MATERIAL :  
 BERGSTIK: MANUFACTURER'S OPTION OF NYLON OR PCT, GLASS FIBER REINFORCED, FLAME RETARDENT PER UL-94V-0. COLOR : BLACK  
 OR  
 MINERAL FILLED LCP FLAME RETARDENT PER UL-94V-0. COLOR: BLACK.  
 PART NUMBERS WITH "H" SUFFIX TO 260° C PEAK TEMPERATURE FOR 20 SECONDS IN WAVE SOLDER, INFRA-RED OR VAPOR PHASE SOLDER PROCESS.  
 PART NUMBERS WITHOUT "H" SUFFIX TO 260° C PEAK TEMPERATURE FOR WAVE SOLDER PROCESS.

- ③. PIN MATERIAL: PHOS BRONZE
- ④. MEASURED WITH PART IN RESTRAINED CONDITION.
- 5. TWO SIDES OF PIN TIPS NOT PLATED. TYPICAL BOTH ENDS.
- ⑥. 2LBS/0.9KG MIN PIN RETENTION IN EITHER DIRECTION.
- ⑦. THESE PRODUCTS MEETS EUROPEAN UNION DIRECTIVES AND OTHER COUNTRY REGULATION AS DESCRIBED IN GS-22-008.
- ⑧. "THIS PRODUCT HAS 100% TIN PLATING IN THE INTERFACE AND HAS NOT BEEN TESTED FOR WHISKER GROWTH IN ALL INTERCONNECT ENVIRONMENTS."

.100±.003 [2.54±.08]  
 TYP. NON-ACCUMULATIVE

∅.040±.003 [1.02±.08]  
 TYP.



RECOMMENDED HOLE PATTERN

mat'l code		surface	ISO 1302	tolerance	ISO 406	projection	product family	BERGSTIK
ltr	ecn no	dr	date	tolerances unless otherwise specified			title	BERGSTIK® HEADER .100/2.54cc S/R
C				angles	linear			
				0°±2'	XX±.01/XX±0.3		dwg no	sheet 2 of 2 size
					XXX±.005/XX±0.13			
					XXX±.0020/XXX±0.05	scale	Product Customer Drawing	
				dr	M.HERNANDEZ	11/22/05		
				enr	S. FIERRO	11/22/05		
				chr	S. FIERRO	11/22/05		
				appd	S. FIERRO	11/22/05		
sheet	revision							
index	sheet							

Copyright FCJ  
 FCJconnect.com