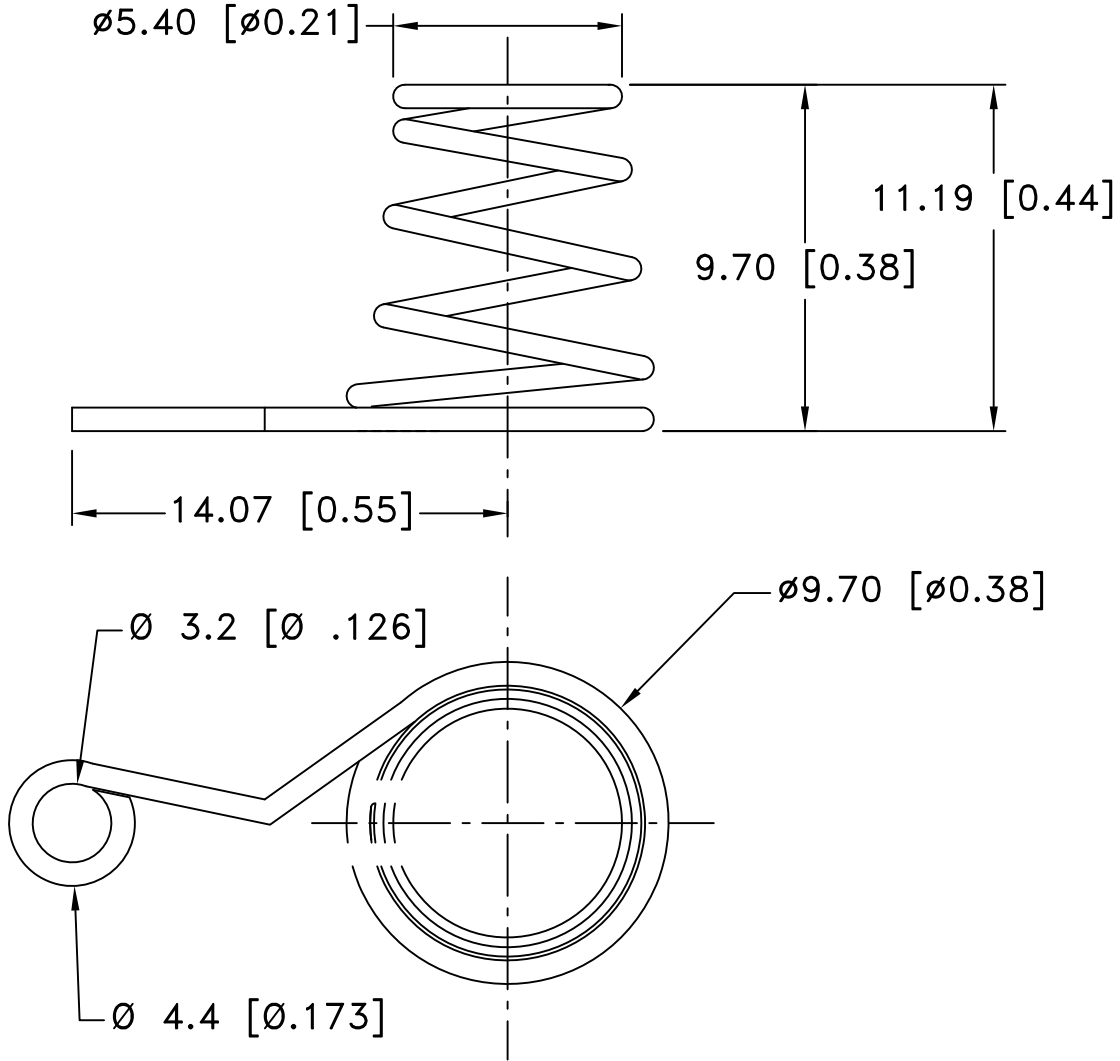



Date	SYM	REVISION RECORD	AUTH	DR.	CK.
2/13/09	A	ADDED DIM. Ø4.4 AND Ø3.2 MATERIAL WAS MUSIC WIRE	T.B.	B.S.	
4/17/09	B	ADDED "ROHS COMPLIANT"	T.B.	B.S.	
11/21/14	C	UPDATED TO ROHS 2 COMPLIANT	T.B.	B.S.	



NOTES:

1. MATERIAL: Ø0.6mm SPRING STEEL, NICKEL PLATED.
 2. TOTAL NO. OF COILS: 4
 3. ENDS: ROUND
- ROHS 2 COMPLIANT

Tolerance (Except as noted)	 Memory Protection Devices, Inc 200 Broad Hollow Road, Farmingdale, New York 11735	Scale	Drawn By B.S.
			Approved By T.B.
decimal ±.5 (.020)	Title AA SPRING CONTACT WITH FEED THRU FEATURE	Date 11/21/14	Drawing Number 4-2
Fractional ± .8 (.030)			
Angular ± 3°			