

Ratings
 Voltage: 150 V
 Temperature: -40~70 °C

Conductor
 Conductor count: 3
 Gauge: 30 AWG 0.05 mm²
 Material: Tinned copper strands
 Strand size: $\varnothing 0.05 \times 25$
 Resistance at 20 °C: 385 Ω /km max

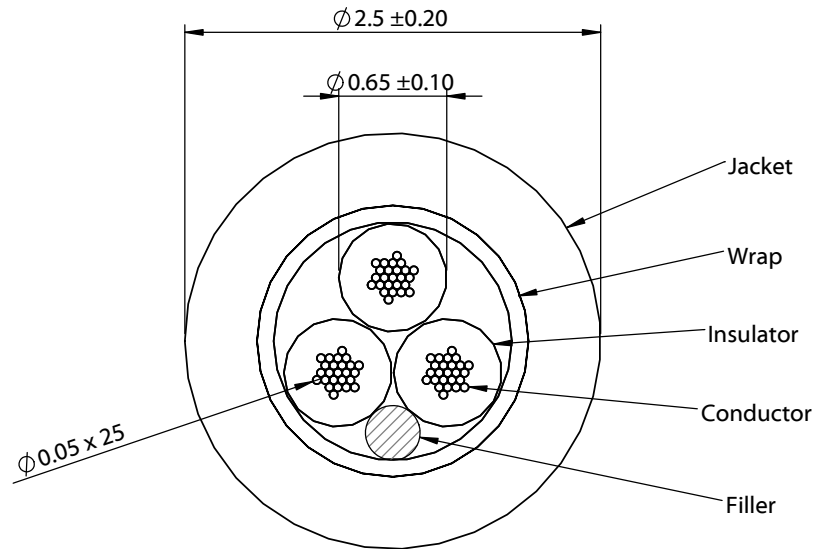
Insulator
 Material: HDPE
 Color: white, black, red
 Diameter: $\varnothing 0.65 \pm 0.10$ mm
 Nominal thickness: 0.18 mm
 Resistance at 20 °C: 100 M Ω /km min

Wrap
 Material: cotton paper

Filler
 Material: aramid fiber

Outer jacket
 Material: TPU
 Color: black
 Diameter: $\varnothing 2.5 \pm 0.20$ mm
 Nominal thickness: 0.50 mm

Tests
 Tensile strength: 15 kgf min
 Dielectric test: 1500 V dc for 1 minute without breakdown
 Bend test at 200 g, $\pm 60^\circ$, 30 cycles /min: 15,000 cycle minimum



Revision:	Date:	Description:
A	8/31/2022	Initial release

Prepared:
PB
Digitally signed by PB
 Date: 2022.09.20
 09:28:18 -07'00'

Verified:
MP
Digitally signed by MP
 Date: 2022.09.21
 08:01:53 -07'00'

Dimensions are in millimeters.
 Tolerances:
 X: ± 0.5 mm
 X.X: ± 0.3 mm
 X.XX: ± 0.05 mm

Notes:
 RoHS compliant
 Jacket meets ISO 10993 Biological Compatibility
 Phthalate and halogen free
 Function test: no open, no short, no intermittent

Description:
 Wire, 3C TS, 30 AWG, 150V, 70C, 2.5 mm, TPU, 75A, WBL

TENSILITY

tel 1.541.323.3228 800 877.670.7118
 fax 1.541.323.4202 web tensility.com

Size:	Part number:
A	30-02644

Scale: 22:1

Sheet 1 of 1