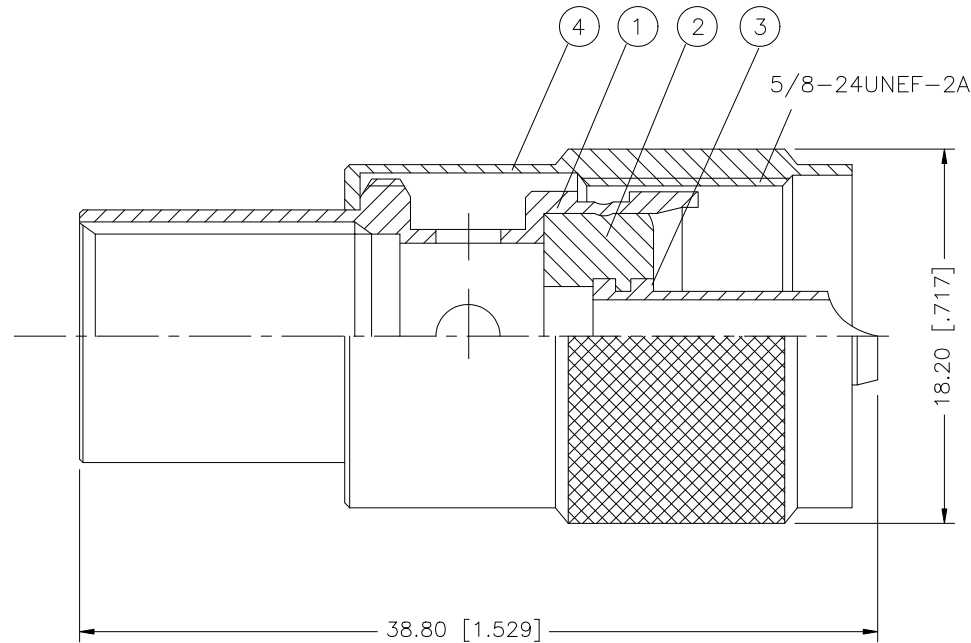


REV.	DATE	ECR NO.	DESCRIPTION
NC	02/17/98	-	INITIAL RELEASE
A	01/05/06	-	UPDATE DRAWING FORMAT
B	12/11/08	-	REVISE COUPLING BODY TO SILVER PLATING
C	03/24/09	-	REVISE INTERNAL BODY CONFIGURATION



				UNLESS OTHERWISE SPECIFIED DIMENSIONS ARE IN MILLIMETERS. DIMENSIONS IN [ ] ARE IN INCHES AND FOR CUSTOMER REFERENCE ONLY.	APPROVALS	DATE	<h1 style="color: blue; margin: 0;">Amphenol Connex</h1>								
8				UNLESS OTHERWISE SPECIFIED TOLERANCES FOR MILLIMETERS ARE: 0.5 - 8mm ± 0.20mm 8 - 30mm ± 0.40mm 30 - 120mm ± 0.50mm  UNLESS OTHERWISE SPECIFIED TOLERANCES FOR INCHES ARE: .020 - .315 = ± 0.007" .315 - 1.180 = ± 0.015" 1.180 - 4.724 = ± 0.020"	DRAWN	GRS					03/24/09	<b>UHF SOLDER PLUG (FOR RG-8/U, 11/U CABLE)</b>			
7					CHECKED			PART NO. <b>182116</b>							
6					ISSUED										
5					SHEET	1 OF 1		REV. C    SIZE A    SCALE NA							
4	CONTACT PIN	BRASS	SILVER		1	CAD FILE									
3	INSULATOR	BAKELITE BROWN	YELLOW	1	C:/182/182116.DWG										
2	BODY	BRASS	SILVER	1	DO NOT SCALE DRAWING										
1	SHELL	BRASS	NICKEL	1											
	DESCRIPTION	MATERIAL	FINISH	QTY											