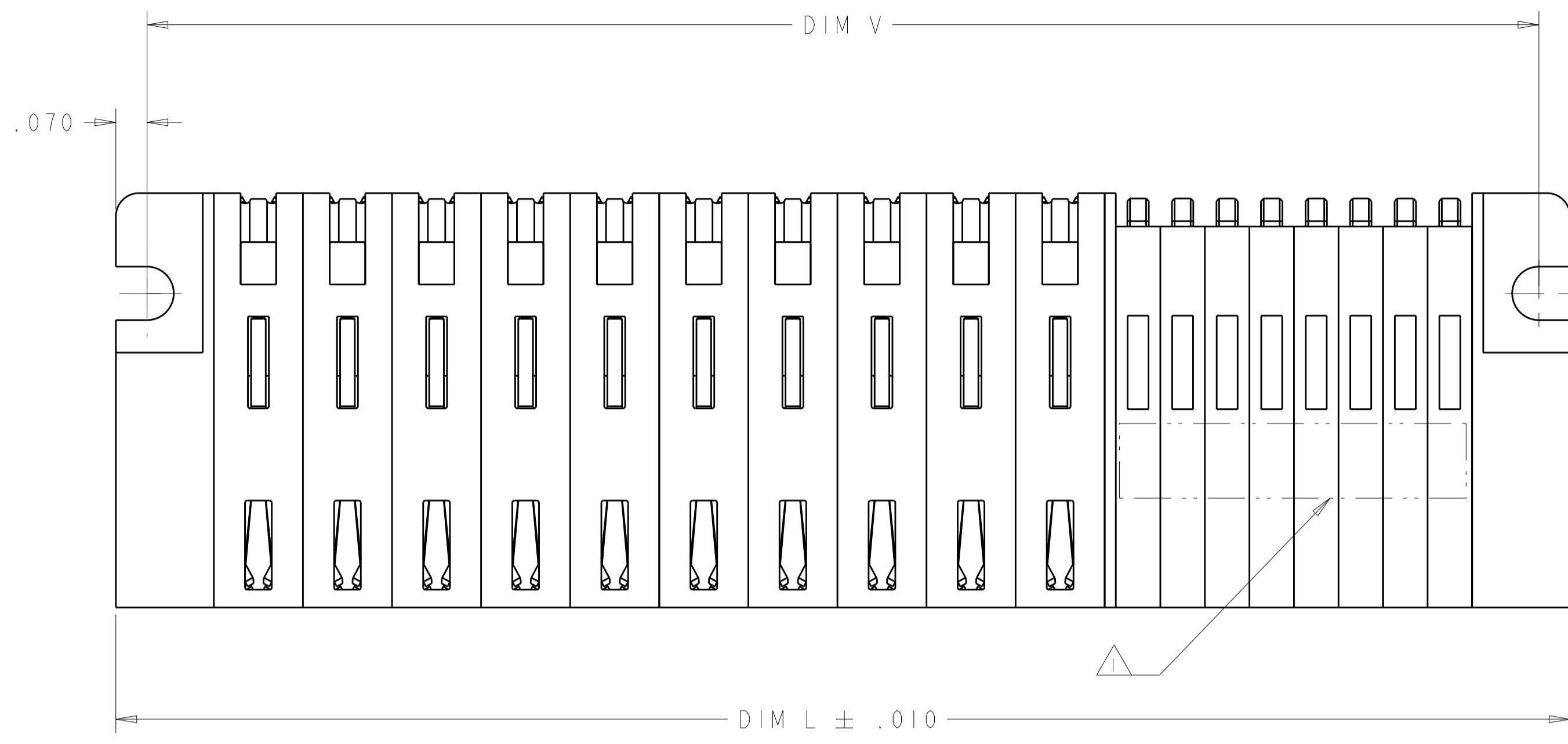
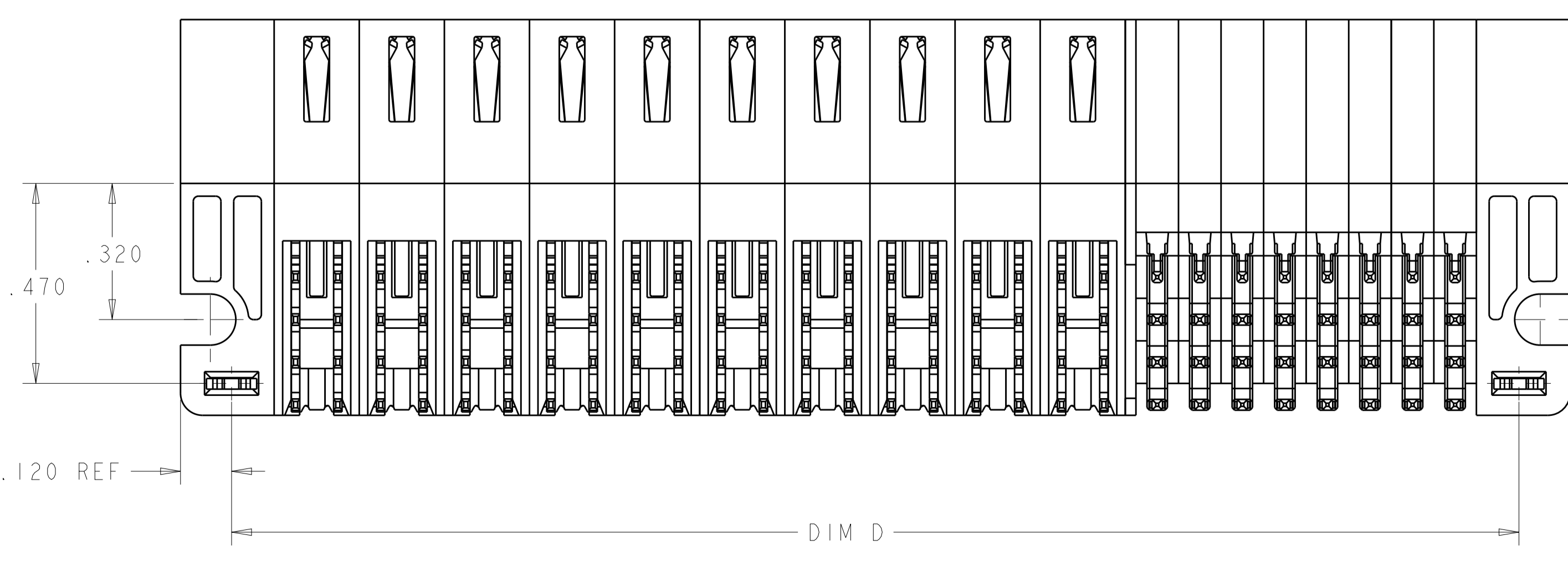
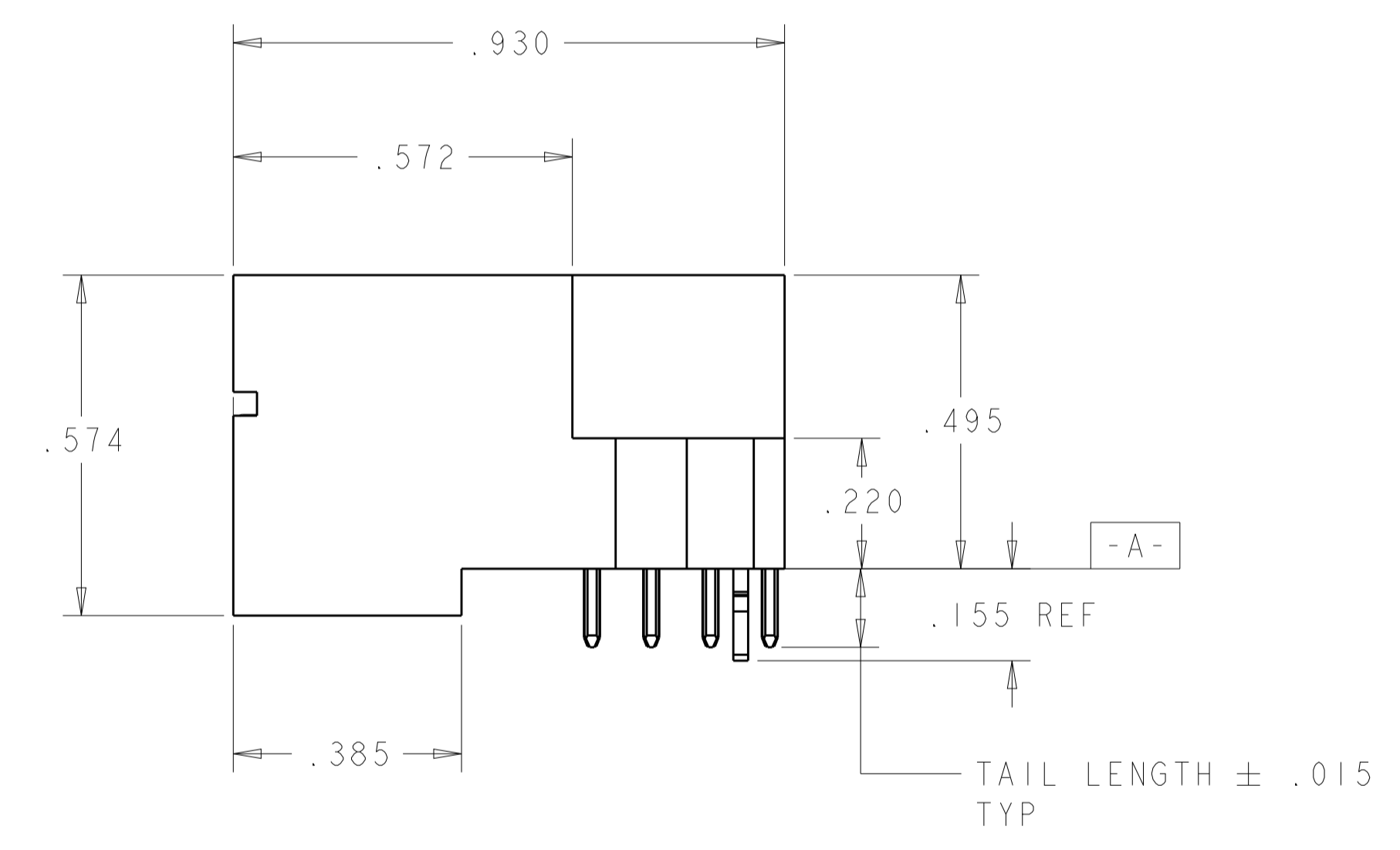
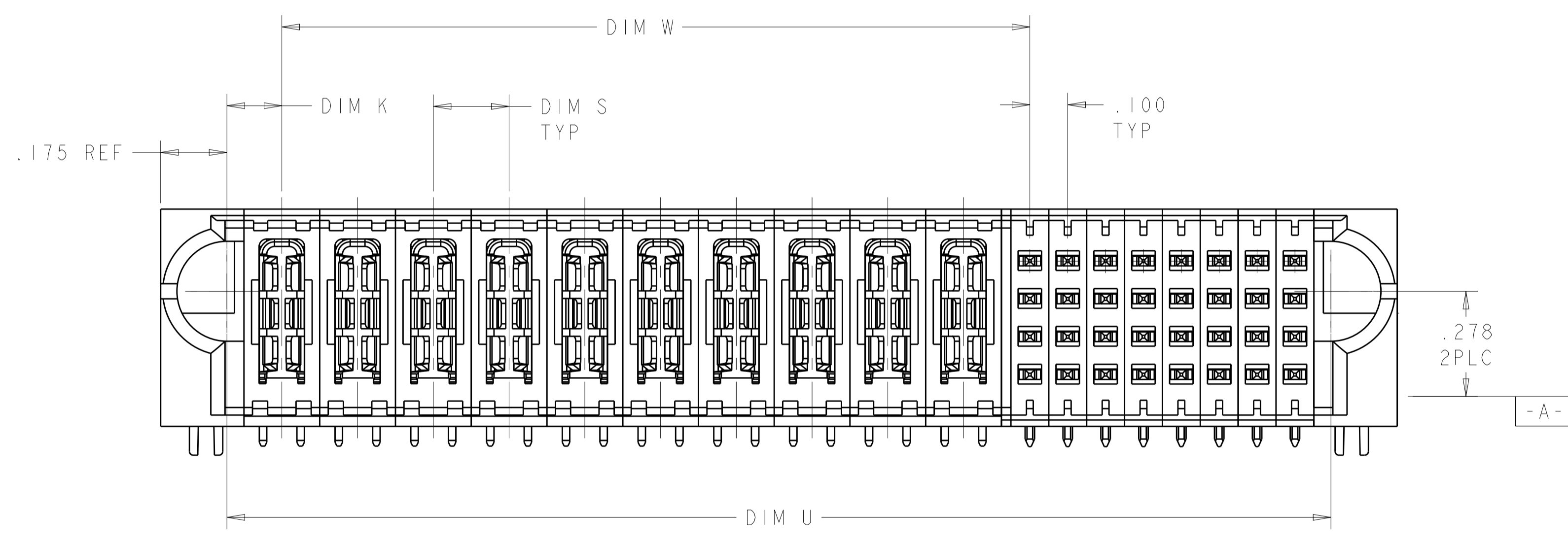


LOC	DIST	REVISIONS			
P	LTN	DESCRIPTION	DATE	DWN	APVD
K4		REVISED 4-7 BY CUSTOMER	18MAY2015	CZ	SZ
K5		REVISED 4-7 SIGNAL PINS BY CUSTOMER	09JUN2015	CZ	SZ
K6		REV PER ECO-17-001490	12DEC2016	CZ	SZ



- 1 "AMP", PART NUMBER AND DATE CODE TO BE MARKED IN AREA SHOWN PARTS UNDER 2.00" LONG MAY BE MARKED ON BOTH SIDES
- 2 MATERIAL:
HOUSING - GLASS FILLED HIGH TEMP THERMO PLASTIC, UL94 V-0
SIGNAL CONTACT - COPPER ALLOY
POWER CONTACT - HIGH CONDUCTIVITY COPPER ALLOY
- 3 CONTACT PLATING: NOBLE METAL PLATING ON CONTACT FUNCTIONAL AREA OF SIGNAL CONTACTS AND POWER CONTACTS.
- 4 MECHANICAL CONNECTOR KEEP OUT ZONE
- 5 DATUM AND BASIC DIMENSIONS ESTABLISHED BY CUSTOMER
- 6 PCB - ALL HOLE DIAMETERS ARE FINISHED HOLE SIZES
- 7 PCB - 0.0453 ± .0010 DRILLED HOLES PLATED WITH .0003 MIN Sn OVER .001 TO .003 Cu PLATING TO ACHIEVE A .040 ± .030 HOLE
- 8 FOR CONFIGURATION "L/P", "P/LP/S", PLEASE REFER TO SHEET 3.
- 9 VARIABLE DIMENSIONS PLEASE SEE PART TABLE.



THIS DRAWING IS A CONTROLLED DOCUMENT.		DWN: H. LIU 27MAY2008	TE Connectivity
DIMENSIONS: INCHES		CHK: S. ZHAO 27MAY2008	
TOLERANCES UNLESS OTHERWISE SPECIFIED:		APVD: S. ZHAO	NAME: R/A HEADER WITH SHORT GUIDES AND LP CONTACTS ASSEMBLY MULTI-BEAM XLE
0 PLC ± .01	1 PLC ± .01	PRODUCT SPEC: 108-2292	SIZE: A1
2 PLC ± .005	3 PLC ± .005	APPLICATION SPEC: 114-13251	CAGE CODE: 6450832
4 PLC ± .0020	ANGLES ± .7°	WEIGHT: -	RESTRICTED TO: -
MATERIAL: 2	FINISH: 3	CUSTOMER DRAWING	SCALE: 2:1 SHEET 1 OF 24 REV: K6

LOC	DIST	REVISONS	DATE	OWN	APVD
		P. LTM	DESCRIPTION		
		-	SEE SHEET 1	-	-

$\triangle 9$	4.640	4.500	4.290	4.400	2.550	.145	5P + 2HDP + 4P + 64S	5-6450832-9
$\triangle 9$	5.290	5.150	4.940	5.050	4.050	.195	15P + 28S	4-6450832-7
.200	2.965	2.825	2.615	2.725	1.975	.145	10HDP + 20S	4-6450832-6
$\triangle 9$	2.090	1.950	1.740	1.850	1.000	.145	5HDP + 24S	4-6450832-5
.200	1.990	1.850	1.640	1.750	.975	.170	5HDP + 20S	4-6450832-4
$\triangle 9$	3.790	3.650	3.440	3.550	2.625	.170	12P + 24S	4-6450832-3
.250	3.240	3.100	2.890	3.000	1.925	.170	8P + 32S	4-6450832-2
.250	3.240	3.100	2.890	3.000	1.925	.170	8P + 32S	4-6450832-1
.350	1.565	1.325	1.215	1.425	.975	.145	3P + 4S	4-6450832-0
.250	3.040	2.900	2.690	2.800	1.925	.170	8HDP + 24S	3-6450832-9
$\triangle 9$	2.965	2.825	2.615	2.725	1.825	.195	3ACP + 4P + 24S	3-6450832-8
$\triangle 9$	5.290	5.150	4.940	5.050	4.050	.195	15P + 28S	3-6450832-6
.200	1.990	1.850	1.640	1.750	.975	.170	5HDP + 20S	3-6450832-5
.250	3.090	2.950	2.740	2.850	1.950	.170	8P + 24S	3-6450832-4
$\triangle 9$	4.640	4.500	4.290	4.400	2.550	.145	5P + 2HDP + 4P + 64S	3-6450832-3
.200	3.265	3.125	2.915	3.025	2.175	.145	11HDP + 24S	3-6450832-2
.115 $\triangle 8$.945	.805	.595	.705	.2725 $\triangle 8$.1025 $\triangle 8$	2LP + 8S	3-6450832-1
.375	2.240	2.100	1.890	2.000	1.500	.170	4ACP + 8S	3-6450832-0
.200	3.265	3.125	2.915	3.025	2.175	.145	11HDP + 24S	2-6450832-8
.200	3.065	2.925	2.715	2.825	1.975	.145	10HDP + 24S	2-6450832-7
.200	2.240	2.100	1.890	2.000	1.150	.145	6HDP + 24S	2-6450832-6
$\triangle 8$	2.420	2.280	2.070	2.180	1.330	.145	5P + 2LP + 24S	2-6450832-5
$\triangle 8$	3.065	2.925	2.715	2.825	1.525	.195	4P + 40S	2-6450832-4
$\triangle 8$	4.015	3.875	3.665	3.775	3.075	.195	3ACP + 9P + 16S	2-6450832-3
.250	2.415	2.275	2.065	2.175	1.425	.145	6P + 20S	2-6450832-2
$\triangle 8$	2.420	2.280	2.070	2.180	1.330	.145	5P + 2LP + 24S	2-6450832-0
.250	3.790	3.650	3.440	3.550	2.675	.170	11P + 24S	1-6450832-9
$\triangle 8$	3.740	3.600	3.390	3.500	2.625	.170	3ACP + 8P + 24S	1-6450832-7
$\triangle 8$	3.790	3.650	3.440	3.550	2.700	.145	13P + 24S	1-6450832-6
.250	1.490	1.350	1.140	1.250	.675	.170	3P + 12S	1-6450832-4
.250	1.565	1.425	1.215	1.325	.425	.170	2P + 24S	1-6450832-2
.250	3.790	3.650	3.440	3.550	2.900	.145	12P + 16S	1-6450832-0
$\triangle 8$	1.590	1.450	1.240	1.350	.650	.170	2P + 8S	6450832-9
.115 $\triangle 8$.970	.830	.620	.730	.2725 $\triangle 8$.1275 $\triangle 8$	2LP + 8S	6450832-8
$\triangle 8$	3.740	3.600	3.390	3.500	2.625	.170	3ACP + 8P + 24S	6450832-7
.200	3.065	2.925	2.715	2.825	1.975	.145	10HDP + 24S	6450832-5
.200	3.065	2.925	2.715	2.825	1.975	.145	10HDP + 24S	6450832-4
.250	2.565	2.425	2.215	2.325	1.425	.170	6P + 24S	6450832-3
$\triangle 8$	2.575	2.435	2.225	2.335	1.460 $\triangle 8$.170 $\triangle 8$	4P + 4LP + 24S	6450832-2
.200	3.265	3.125	2.915	3.025	1.975	.145	10HDP + 32S	6450832-1
DIM S	DIM L	DIM V	DIM U	DIM D	DIM W	DIM K	DESCRIPTION	PART NUMBER

VIEW IN SHEET 6

THIS DRAWING IS A CONTROLLED DOCUMENT. DWN 27MAY2008
CHK H. LIU
S. ZHAO 27MAY2008

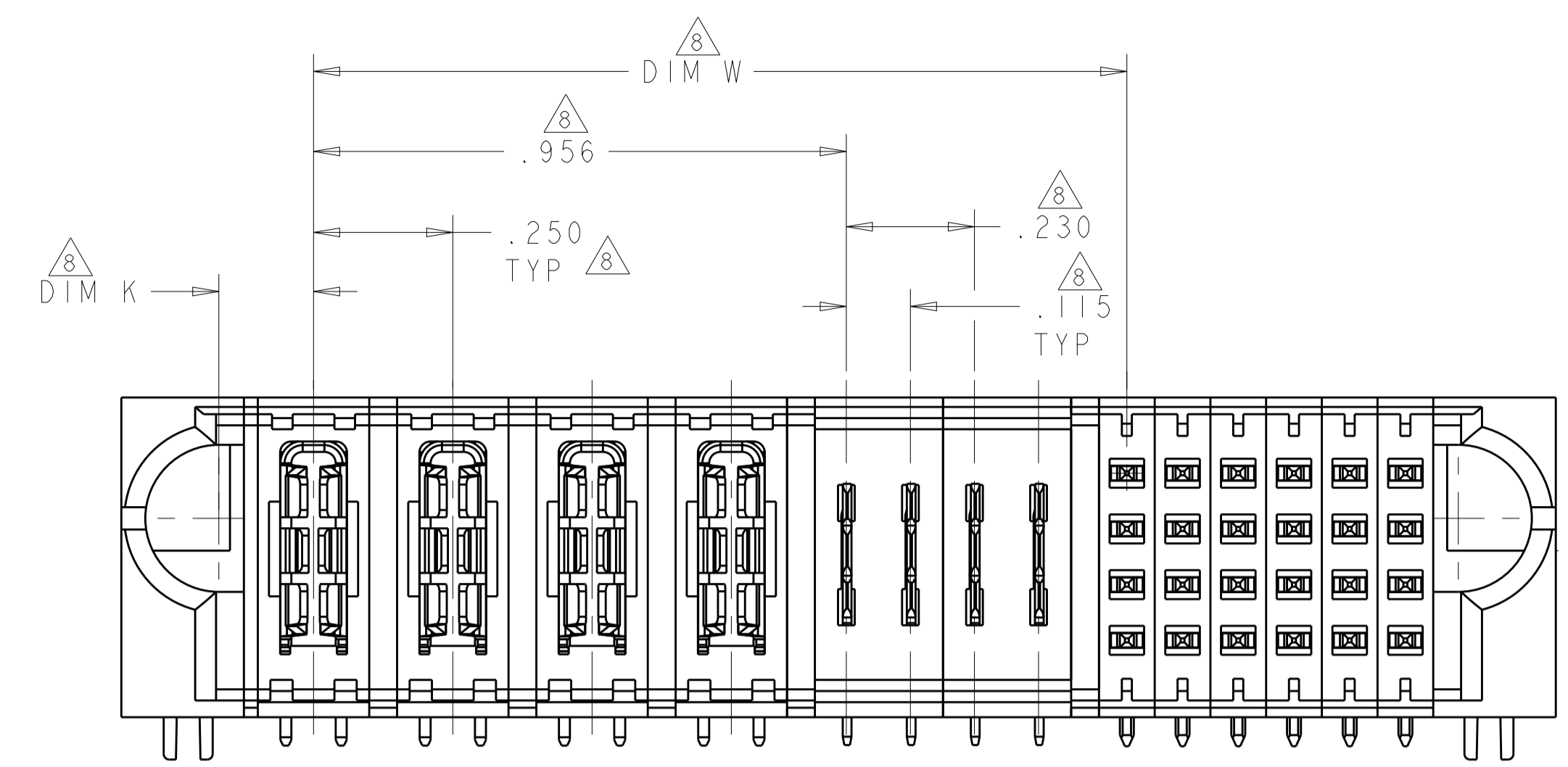
DIMENSIONS: INCHES TOLERANCES UNLESS OTHERWISE SPECIFIED:
0 PLC ±.01
1 PLC ±.01
2 PLC ±.01
3 PLC ±.005
4 PLC ±.002
ANGLES ±.002

MATERIAL FINISH

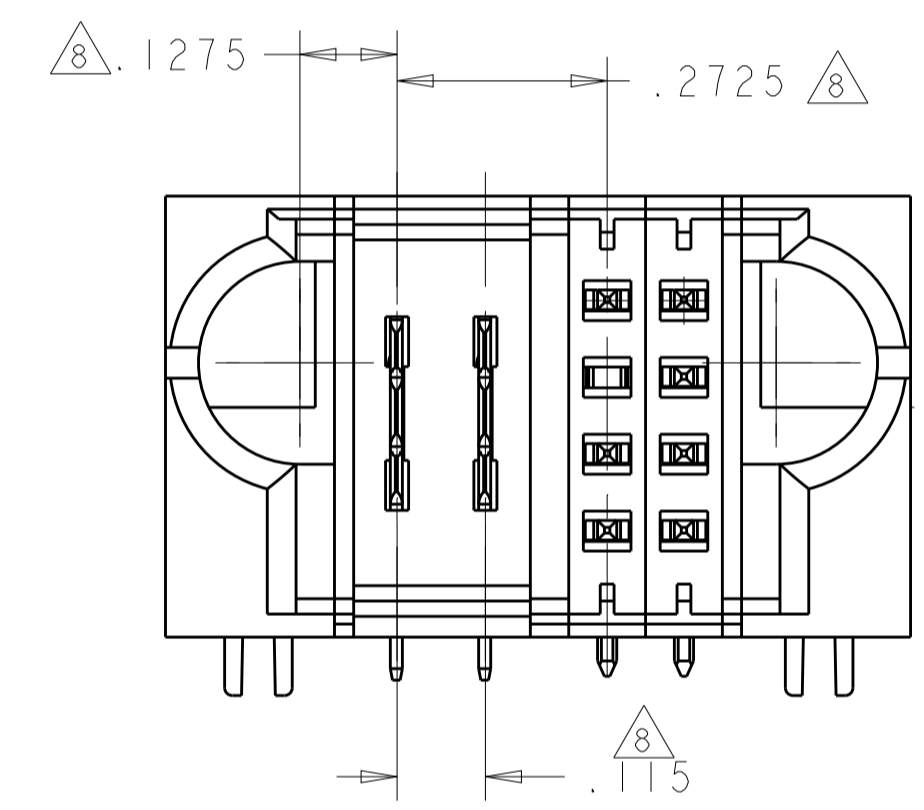
APVD S. ZHAO
NAME R/A HEADER WITH SHORT GUIDES AND LP CONTACTS ASSEMBLY MULTI-BEAM XLE
PRODUCT SPEC 108-2292
APPLICATION SPEC 114-13251
SIZE A1
CAGE CODE 6450832
DRAWING NO. 100779
WEIGHT
CUSTOMER DRAWING

TE Connectivity
SCALE 4:1 SHEET 2 OF 24 REV K6

LOC		DIST		REVISIONS			
P	LTN	DESCRIPTION	DATE	DWN	APVD		
-		SEE SHEET 1	-	-	-		



FOR P/N:6450832-2, OTHER DIMENSIONS PLEASE SEE TABLE

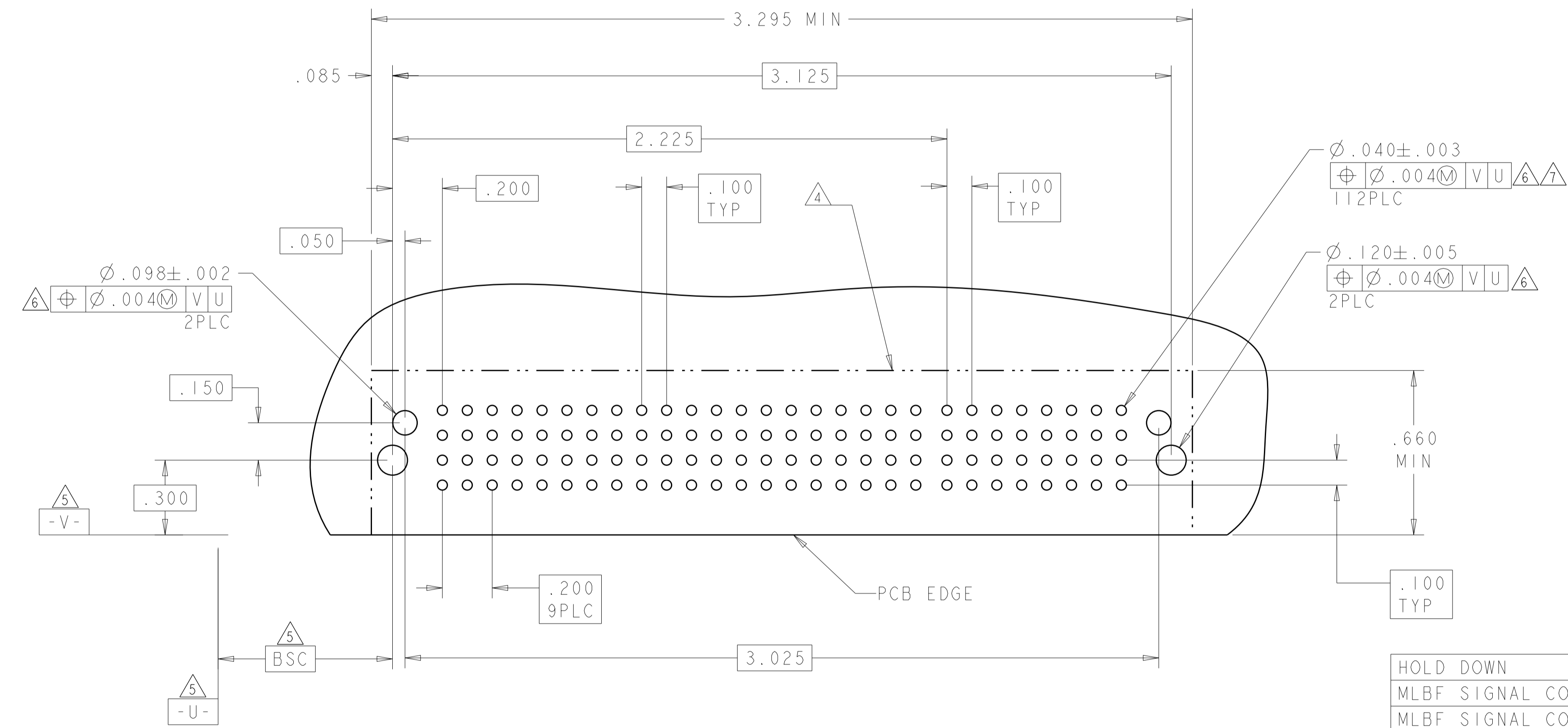


FOR P/N:6450832-8 AND 3-6450832-1, OTHER DIMENSIONS PLEASE SEE SHEET 1

THIS DRAWING IS A CONTROLLED DOCUMENT.		DWN: H. LIU 27MAY2008	
		CHK: S. ZHAO 27MAY2008	
DIMENSIONS: INCHES		TOLERANCES UNLESS OTHERWISE SPECIFIED:	NAME: R/A HEADER WITH SHORT GUIDES AND LP CONTACTS ASSEMBLY MULTI-BEAM XLE
		0 PLC ±.01	PRODUCT SPEC: 108-2292
		1 PLC ±.01	APPLICATION SPEC: 114-13251
		2 PLC ±.005	SIZE: A100779C=6450832
		3 PLC ±.0020	RESTRICTED TO: -
		ANGLES: ±2°	SCALE: 4:1 SHEET 3 OF 24 REV: K6
MATERIAL:		FINISH:	WEIGHT: -
			CUSTOMER DRAWING

LOC		DIST		REVISIONS			
P	LTN	DESCRIPTION	DATE	DMN	APVD		
-	-	SEE SHEET 1	-	-	-	-	-

PART NUMBER	ROWS	POWER										SIGNAL							
		P1	P2	P3	P4	P5	P6	P7	P8	P9	P10	1	2	3	4	5	6	7	8
6450832-1	D C B A	TM	TM	TM	TM	TM	TM	TM	TM	TM	TM	J	J	J	J	J	J	J	J
		TM	TM	TM	TM	TM	TM	TM	TM	TM	TM	K	K	K	K	K	K	K	K
		TM	TM	TM	TM	TM	TM	TM	TM	TM	TM	N	N	N	N	N	G	N	N
10HDP + 32S											S	S	S	S	S	S	S	S	



DESCRIPTION	IDENTIFIER
HOLD DOWN	HD
MLBF SIGNAL CONTACT, .135 TAIL LENGTH, ROW D	E
MLBF SIGNAL CONTACT, .135 TAIL LENGTH, ROW C	F
MLBF SIGNAL CONTACT, .135 TAIL LENGTH, ROW B	G
MLBF SIGNAL CONTACT, .135 TAIL LENGTH, ROW A	H
MFBL SIGNAL CONTACT, .135 TAIL LENGTH, ROW D	FJ
MFBL SIGNAL CONTACT, .135 TAIL LENGTH, ROW C	FK
MFBL SIGNAL CONTACT, .135 TAIL LENGTH, ROW B	FN
MFBL SIGNAL CONTACT, .135 TAIL LENGTH, ROW A	FS
STANDARD SIGNAL CONTACT, .135 TAIL LENGTH, ROW D	J
STANDARD SIGNAL CONTACT, .135 TAIL LENGTH, ROW C	K
STANDARD SIGNAL CONTACT, .135 TAIL LENGTH, ROW B	N
STANDARD SIGNAL CONTACT, .135 TAIL LENGTH, ROW A	S
MFBL LOWER POWER CONTACT, .135 TAIL LENGTH.	LMF
STD LOWER POWER CONTACT, .135 TAIL LENGTH	LM
3-BEAM POWER CONTACT, .135 TAIL LENGTH	TM

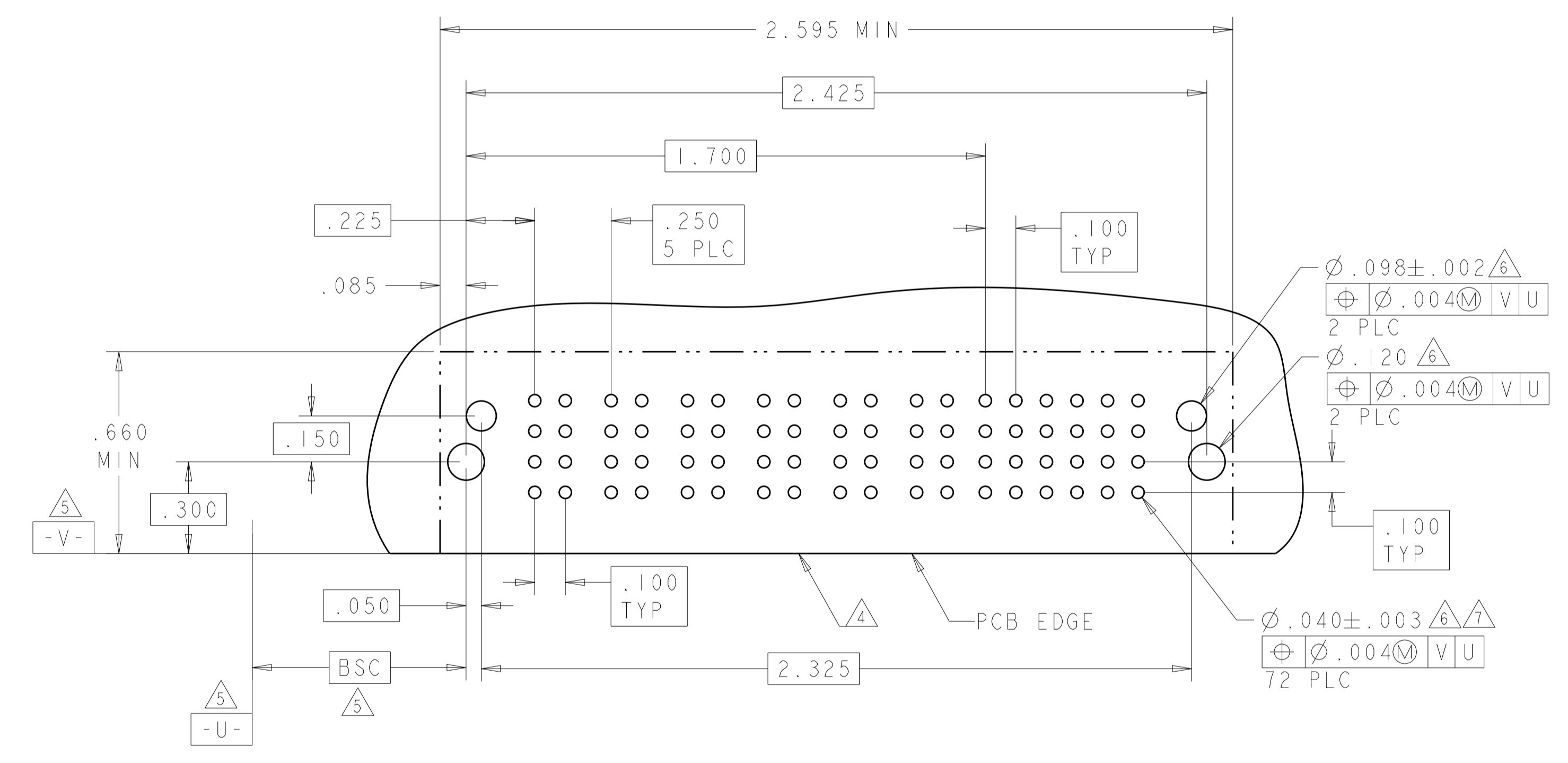
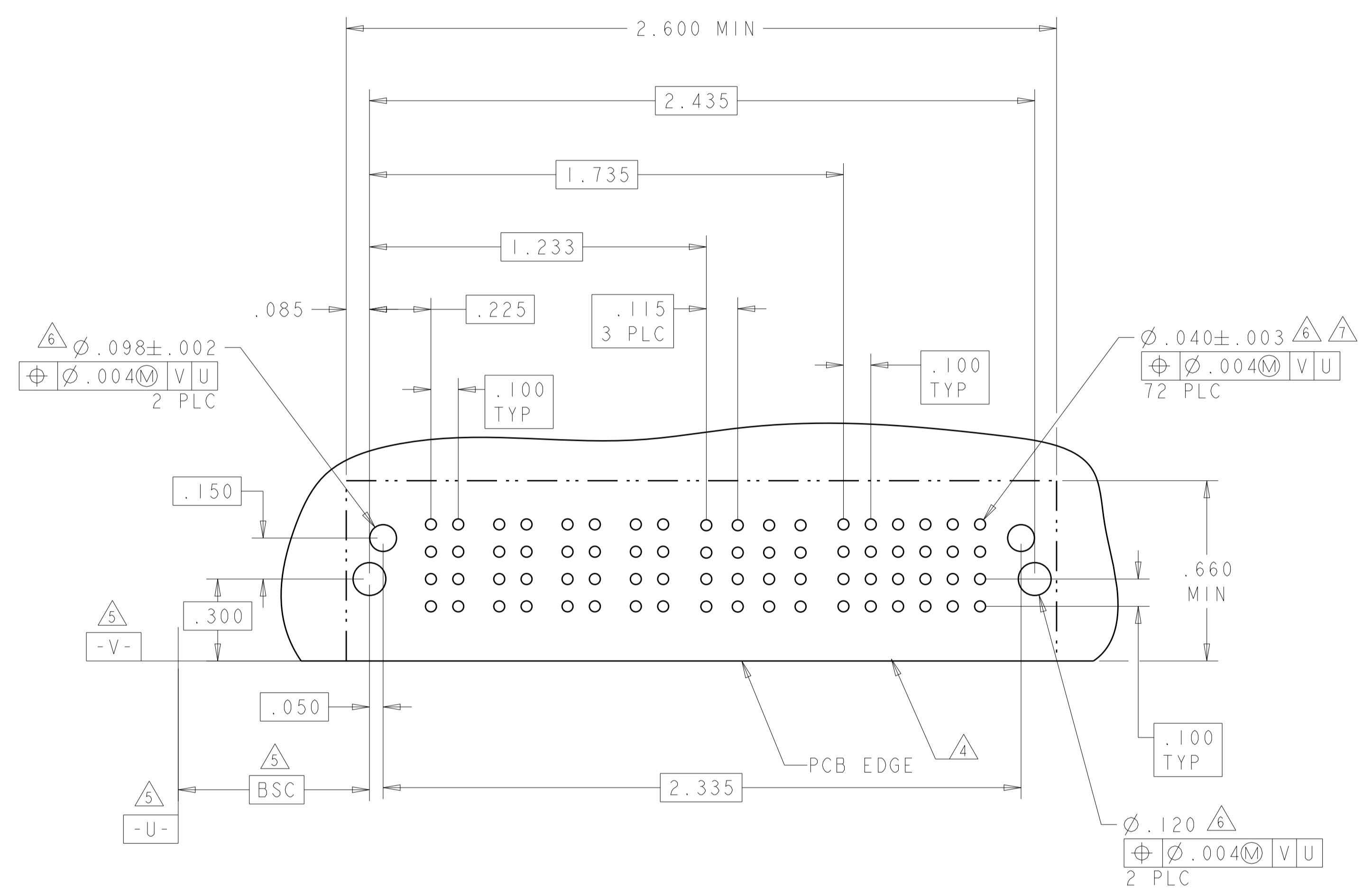
THIS DRAWING IS A CONTROLLED DOCUMENT.

DIMENSIONS: INCHES 	TOLERANCES UNLESS OTHERWISE SPECIFIED: 0 PLC ±. 1 PLC ±.01 2 PLC ±.01 3 PLC ±.005 4 PLC ±.0020 ANGLES ±.0°	DWG: H.LIU 27MAY2008 CHK: S.ZHAO 27MAY2008 APVD: S.ZHAO NAME: R/A HEADER WITH SHORT GUIDES AND LP CONTACTS ASSEMBLY MULTI-BEAM XLE PRODUCT SPEC: 108-2292 APPLICATION SPEC: 114-13251 WEIGHT: - CUSTOMER DRAWING	TE Connectivity SIZE: A100779 CAGE CODE: 6450832 SCALE: 4:1 SHEET: 4 OF 24 REV: K6
---------------------------	--	---	---

LOC	DIST	REVISIONS			
P	LTN	DESCRIPTION	DATE	DMN	APVD
-	-	SEE SHEET 1	-	-	-

PART NUMBER	ROWS	POWER								SIGNAL							
		P1	P2	P3	P4	P5	P6	P7	P8	1	2	3	4	5	6		
6450832-2	D	TM	TM	TM	TM	LM	LM	LM	LM	J	J	J	J	J	J		
	C									K	K	K	K	K	K		
	B									N	N	N	N	N	N		
	A									S	S	S	S	S	S		
4P + 4LP + 24S		HD															HD

PART NUMBER	ROWS	POWER						SIGNAL							
		P1	P2	P3	P4	P5	P6	1	2	3	4	5	6		
6450832-3	D	TM	TM	TM	TM	TM	TM	J	J	J	J	J	J		
	C							K	K	K	K	K	K		
	B							N	N	N	N	N	N		
	A							S	S	S	S	S	S		
6P + 24S		HD													HD



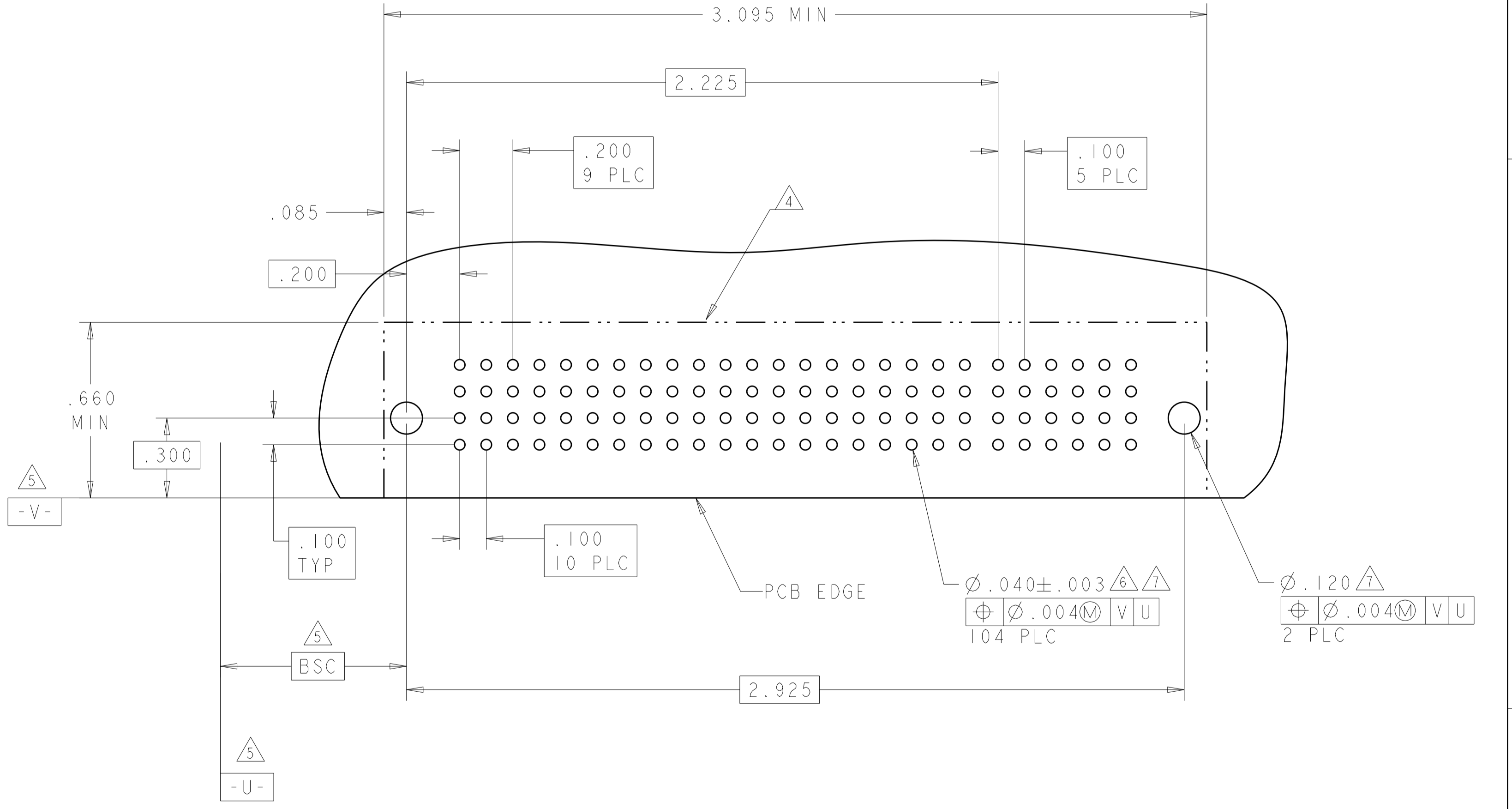
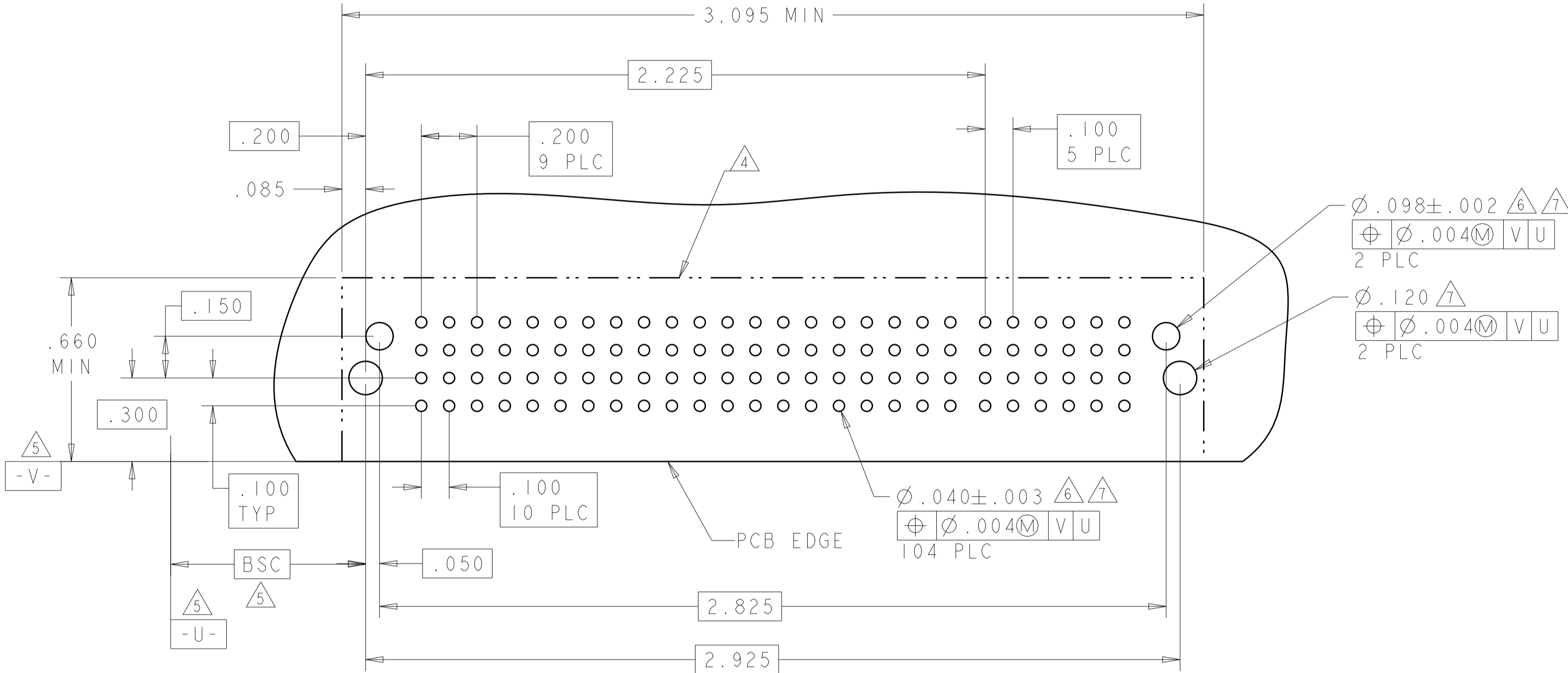
THIS DRAWING IS A CONTROLLED DOCUMENT.		DMN: H.LIU 27MAY2008	 TE Connectivity
DIMENSIONS: INCHES		CHK: S.ZHAO 27MAY2008	
TOLERANCES UNLESS OTHERWISE SPECIFIED:		APVD: S.ZHAO	NAME: R/A HEADER WITH SHORT GUIDES AND LP CONTACTS ASSEMBLY MULTI-BEAM XLE
0 PLC ±.01		PRODUCT SPEC: 108-2292	SIZE: A1
1 PLC ±.01		APPLICATION SPEC: 114-13251	CAGE CODE: C=6450832
2 PLC ±.01		WEIGHT: -	RESTRICTED TO: -
3 PLC ±.005		CUSTOMER DRAWING	SCALE: 4:1
4 PLC ±.002			SHEET: 5 OF 24
ANGLES: ±.2°			REV: K6

LOC	DIST	REVISIONS			
P	LTM	DESCRIPTION	DATE	DMN	APVD
-	-	SEE SHEET 1	-	-	-

PART NUMBER	ROWS	POWER										SIGNAL					
		P1	P2	P3	P4	P5	P6	P7	P8	P9	P10	1	2	3	4	5	6
6450832-4	D C B A	TM	TM	TM	TM	TM	TM	TM	TM	TM	TM	J	J	J	J	J	J
		TM	TM	TM	TM	TM	TM	TM	TM	TM	TM	K	K	K	K	K	K
		TM	TM	TM	TM	TM	TM	TM	TM	TM	TM	N	N	N	N	N	N
10HDP + 24S											H	S	S	S	S	S	

PART NUMBER	ROWS	POWER										SIGNAL					
		P1	P2	P3	P4	P5	P6	P7	P8	P9	P10	1	2	3	4	5	6
6450832-5	D C B A	TM	TM	TM	TM	TM	TM	TM	TM	TM	TM	J	J	J	J	J	J
		TM	TM	TM	TM	TM	TM	TM	TM	TM	TM	K	K	K	K	K	K
		TM	TM	TM	TM	TM	TM	TM	TM	TM	TM	N	N	N	N	N	N
10HDP + 24S											H	S	S	S	S	S	

PART NUMBER	ROWS	POWER										SIGNAL					
		P1	P2	P3	P4	P5	P6	P7	P8	P9	P10	1	2	3	4	5	6
2-6450832-7	D C B A	TM	TM	TM	TM	TM	TM	TM	TM	TM	TM	J	J	J	J	J	J
		TM	TM	TM	TM	TM	TM	TM	TM	TM	TM	K	K	K	K	K	K
		TM	TM	TM	TM	TM	TM	TM	TM	TM	TM	N	N	N	N	N	N
10HDP + 24S											H	S	S	S	S	S	

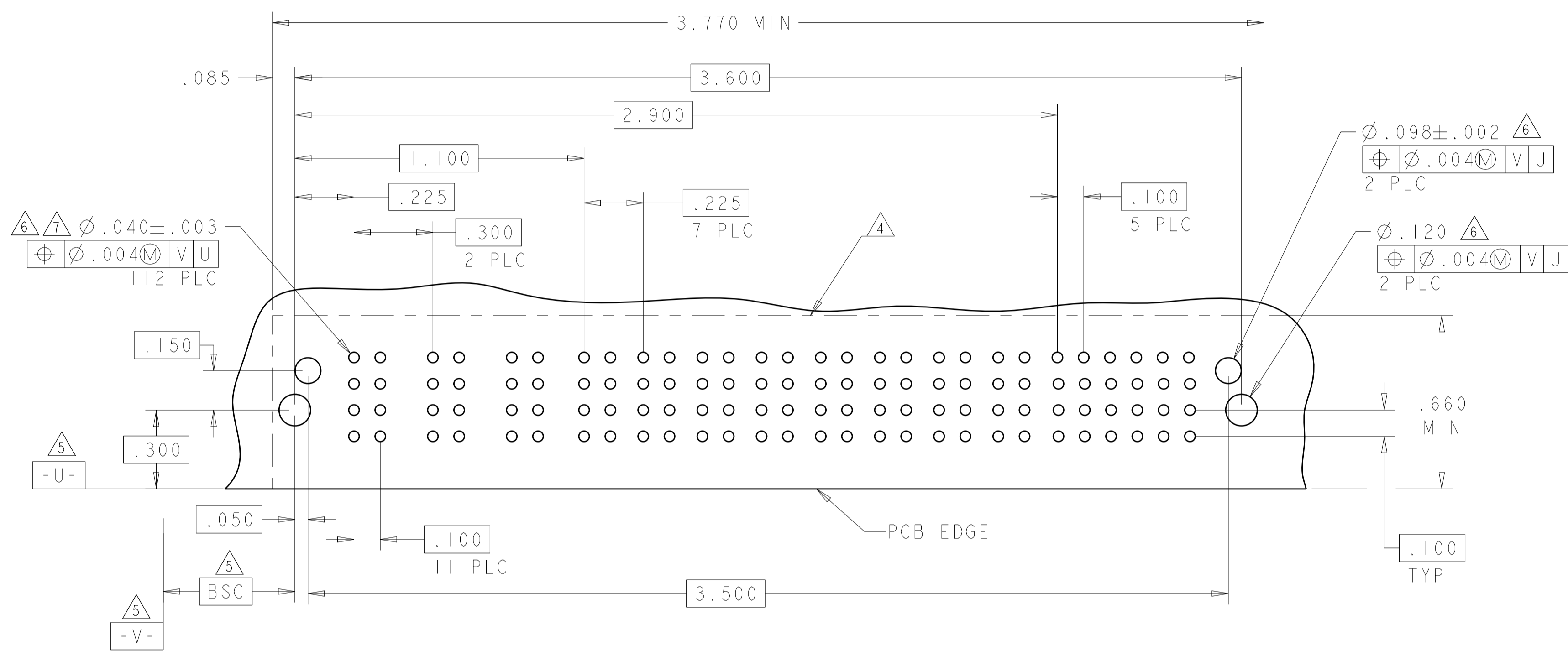
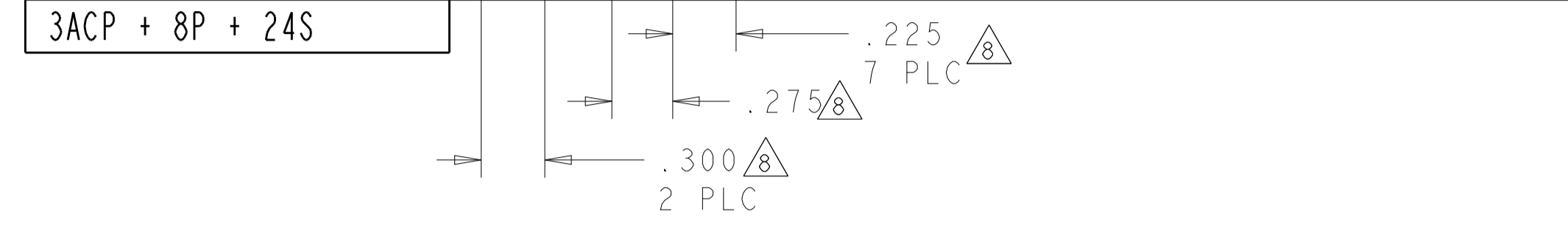


PCB LAYOUT FOR P/N: 6450832-5 AND 2-6450832-7

THIS DRAWING IS A CONTROLLED DOCUMENT.		DMN H. LIU CHK S. ZHAO APVD S. ZHAO	27MAY2008 27MAY2008	TE Connectivity
DIMENSIONS: INCHES	TOLERANCES UNLESS OTHERWISE SPECIFIED:	NAME R/A HEADER WITH SHORT GUIDES AND LP CONTACTS ASSEMBLY	PRODUCT SPEC 108-2292	
MATERIAL	FINISH	APPLICATION SPEC 114-13251	SIZE A100779	RESTRICTED TO
CUSTOMER DRAWING		WEIGHT	CAGE CODE C=6450832	SCALE 4:1
		SHEET 6 OF 24		REV K6

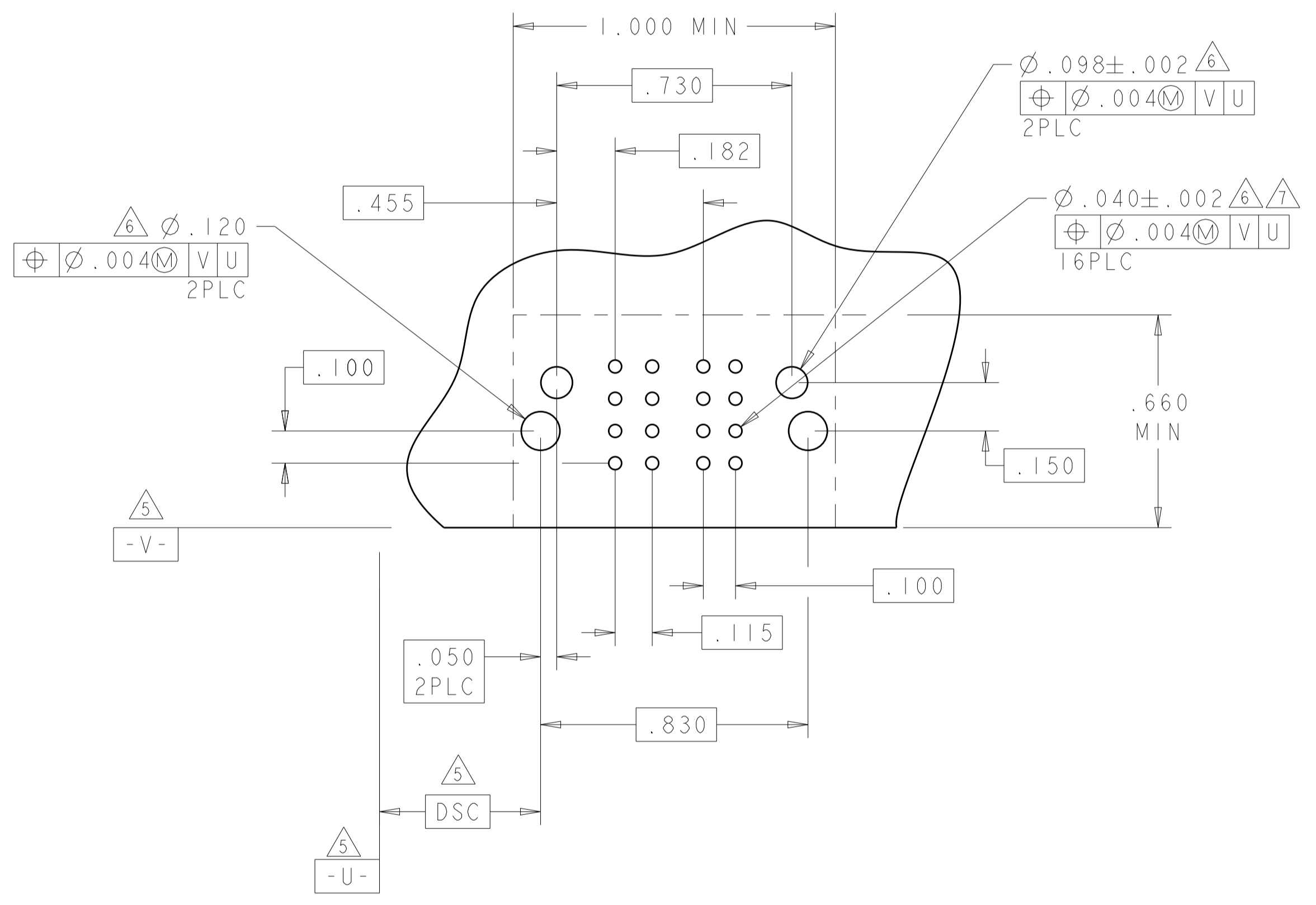
LOC	DIST	REVISIONS			
P	LTM	DESCRIPTION	DATE	OWN	APVD
-	-	SEE SHEET 1	-	-	-

PART NUMBER	ROWS	POWER											SIGNAL					
		P1	P2	P3	P4	P5	P6	P7	P8	P9	P10	P11	1	2	3	4	5	6
6450832-7	D	TM	TM	TM	TM	TM	TM	TM	TM	TM	TM	TM	E	E	J	J	E	E
	C	TM	TM	TM	TM	TM	TM	TM	TM	TM	TM	K	F	K	K	K	K	
	B	TM	TM	TM	TM	TM	TM	TM	TM	TM	TM	N	G	G	G	G	G	
	A	TM	TM	TM	TM	TM	TM	TM	TM	TM	TM	S	S	S	S	S	S	



PART NUMBER	ROWS	POWER		SIGNAL	
		P1	P2	1	2
6450832-8	D	LMF	LM	E	E
	C	LMF	LM	F	F
	B	LMF	LM	G	G
	A	LMF	LM	H	H

2LP + 8S



THIS DRAWING IS A CONTROLLED DOCUMENT.		OWN: H. LIU 27MAY2008	TE Connectivity NAME: R/A HEADER WITH SHORT GUIDES AND LP CONTACTS ASSEMBLY MULTI-BEAM XLE PRODUCT SPEC: 108-2292 APPLICATION SPEC: 114-13251 SIZE: CAGE CODE DRAWING NO: A100779 C=6450832 RESTRICTED TO:
DIMENSIONS: INCHES		CHK: S. ZHAO 27MAY2008	
TOLERANCES UNLESS OTHERWISE SPECIFIED:		APVD: S. ZHAO	SCALE: 4:1 SHEET 7 OF 24 REV: K6
0 PLC ±. 1 PLC ±.01 2 PLC ±.01 3 PLC ±.005 4 PLC ±.002 ANGLES ±.020 FINISH:		WEIGHT: CUSTOMER DRAWING	

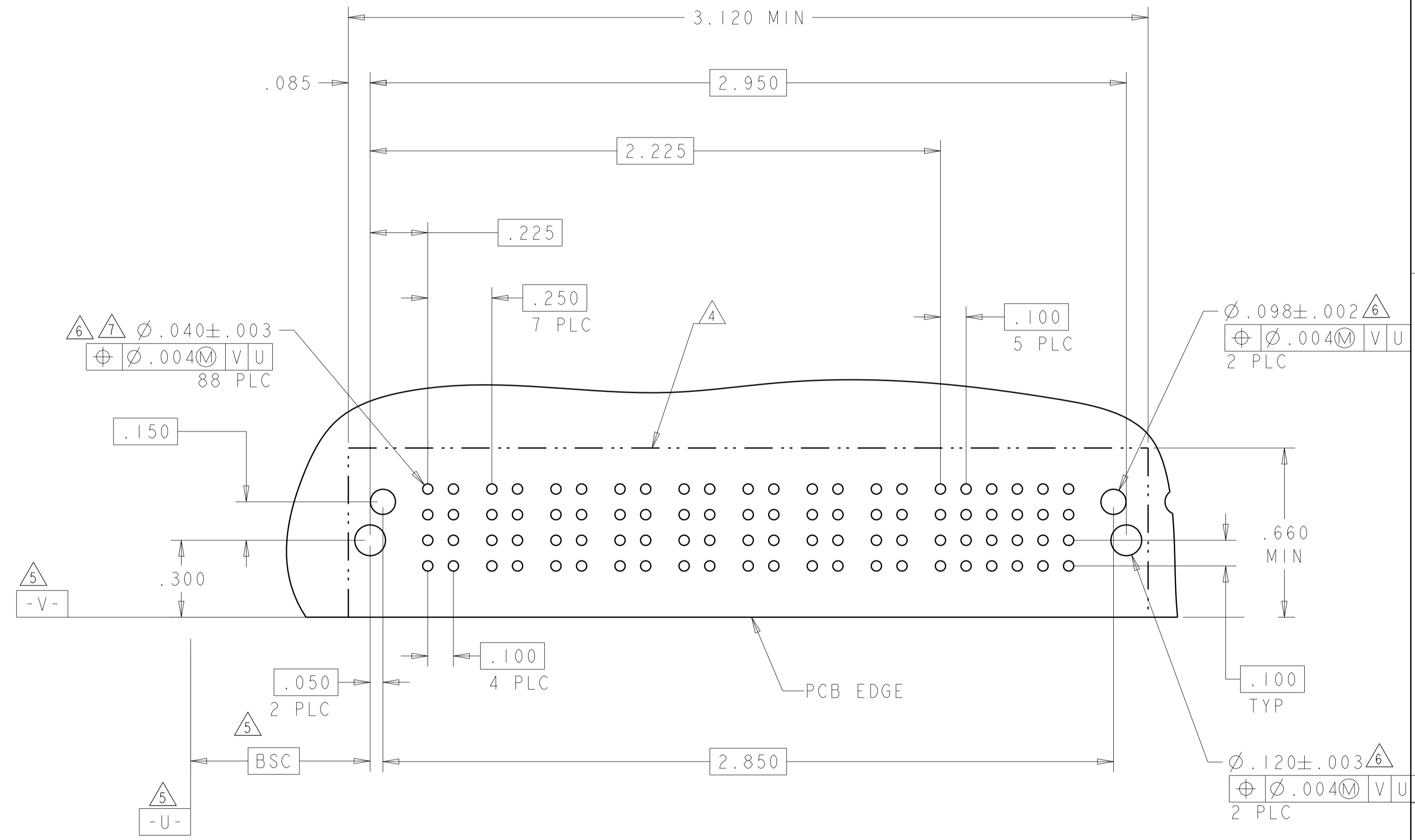
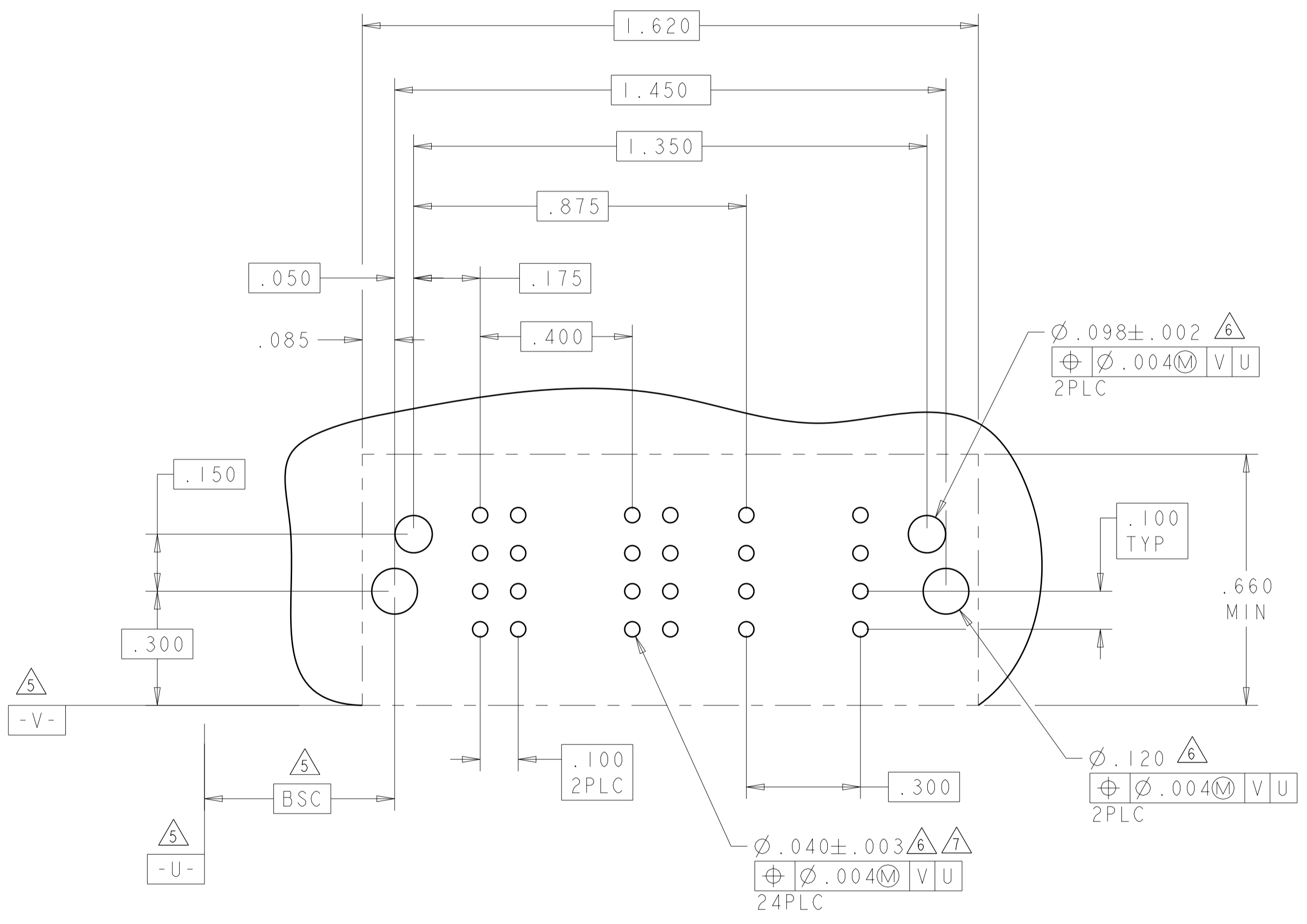
LOC	DIST	REVISIONS			
P	LTN	DESCRIPTION	DATE	DMN	APVD
-	-	SEE SHEET 1	-	-	-

PART NUMBER	ROWS	POWER			SIGNAL			
		P1	P2	P3	1	2	3	4
6450832-9	D C B A	TM	TM	TM	J			J
					K			K
					N			N
					S			S

PART NUMBER	ROWS	POWER								SIGNAL					
		P1	P2	P3	P4	P5	P6	P7	P8	1	2	3	4	5	6
3-6450832-4	D C B A	TM	TM	TM	TM	TM	TM	TM	TM	J	J	J	J	J	J
										K	K	K	K	K	K
										N	N	N	N	N	N
										S	S	S	S	S	S

2P + 8S
 .400
 NO LOADING CONTACTS

H9



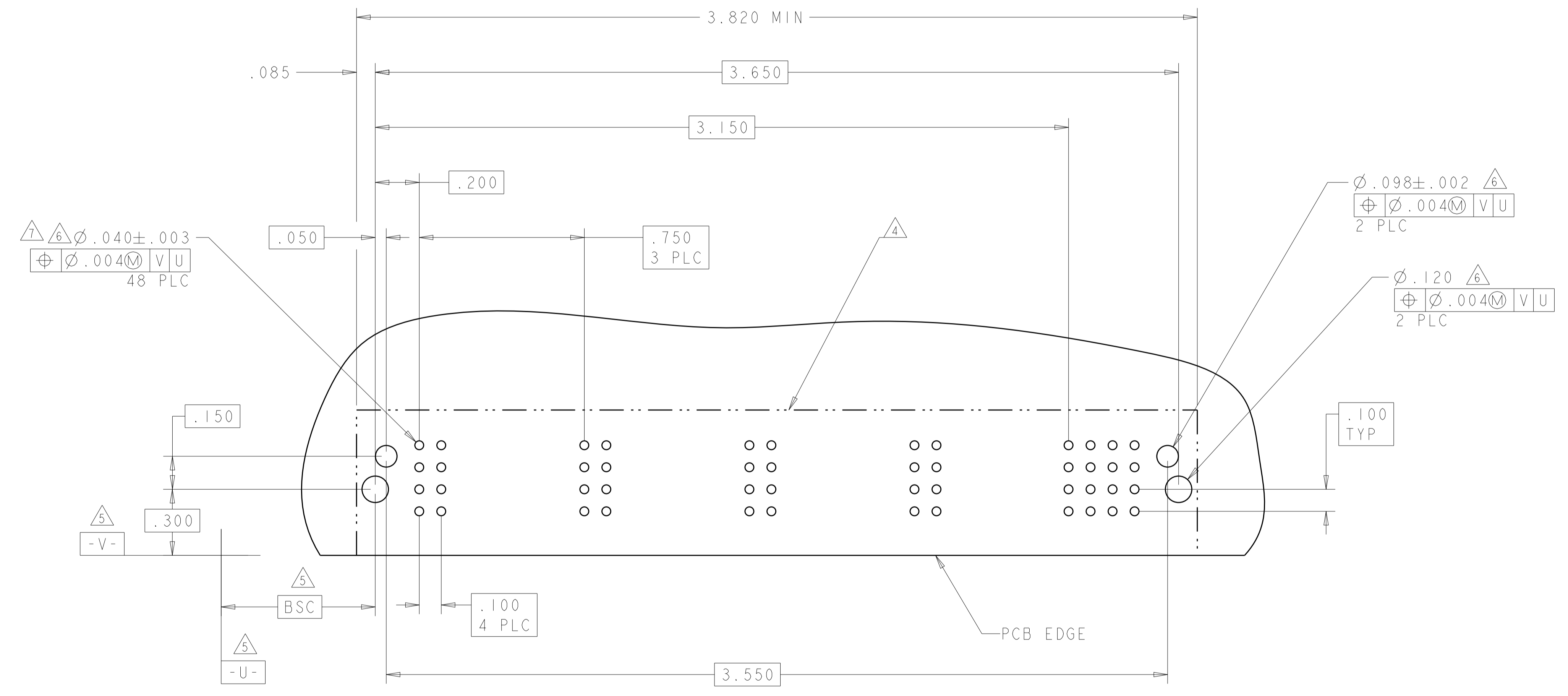
THIS DRAWING IS A CONTROLLED DOCUMENT.

DIMENSIONS: INCHES	TOLERANCES UNLESS OTHERWISE SPECIFIED:	DMN: H. LIU 27MAY2008	CHK: S. ZHAO 27MAY2008		NAME: R/A HEADER WITH SHORT GUIDES AND LP CONTACTS ASSEMBLY MULTI-BEAM XLE														
<table border="1"> <tr><td>0 PLC</td><td>±.01</td></tr> <tr><td>2 PLC</td><td>±.01</td></tr> <tr><td>3 PLC</td><td>±.01</td></tr> <tr><td>4 PLC</td><td>±.005</td></tr> <tr><td>ANGLES</td><td>±.0020</td></tr> </table>	0 PLC	±.01	2 PLC		±.01	3 PLC	±.01	4 PLC	±.005	ANGLES	±.0020	<table border="1"> <tr><td>APVD: S. ZHAO</td></tr> <tr><td>PRODUCT SPEC: 108-2292</td></tr> <tr><td>APPLICATION SPEC: 114-13251</td></tr> <tr><td>WEIGHT: -</td></tr> </table>	APVD: S. ZHAO	PRODUCT SPEC: 108-2292	APPLICATION SPEC: 114-13251	WEIGHT: -	SIZE: A1	CAGE CODE: 00779	DRAWING NO: C=6450832
0 PLC	±.01																		
2 PLC	±.01																		
3 PLC	±.01																		
4 PLC	±.005																		
ANGLES	±.0020																		
APVD: S. ZHAO																			
PRODUCT SPEC: 108-2292																			
APPLICATION SPEC: 114-13251																			
WEIGHT: -																			
MATERIAL: -	FINISH: -	CUSTOMER DRAWING		SCALE: 4:1	SHEET: 8 OF 24	REV: K6													

LOC		DIST		REVISIONS			
P	LTN	DESCRIPTION	DATE	DMN	APVD		
-	-	SEE SHEET 1	-	-	-		

PART NUMBER	ROWS	POWER												SIGNAL			
		P1	P2	P3	P4	P5	P6	P7	P8	P9	P10	P11	P12	1	2	3	4
1-6450832-0	D	TM			TM			TM				TM		J	J	J	J
	C													K	K	K	K
	B													N	N	N	N
	A													S	S	S	S
12P + 16S																	

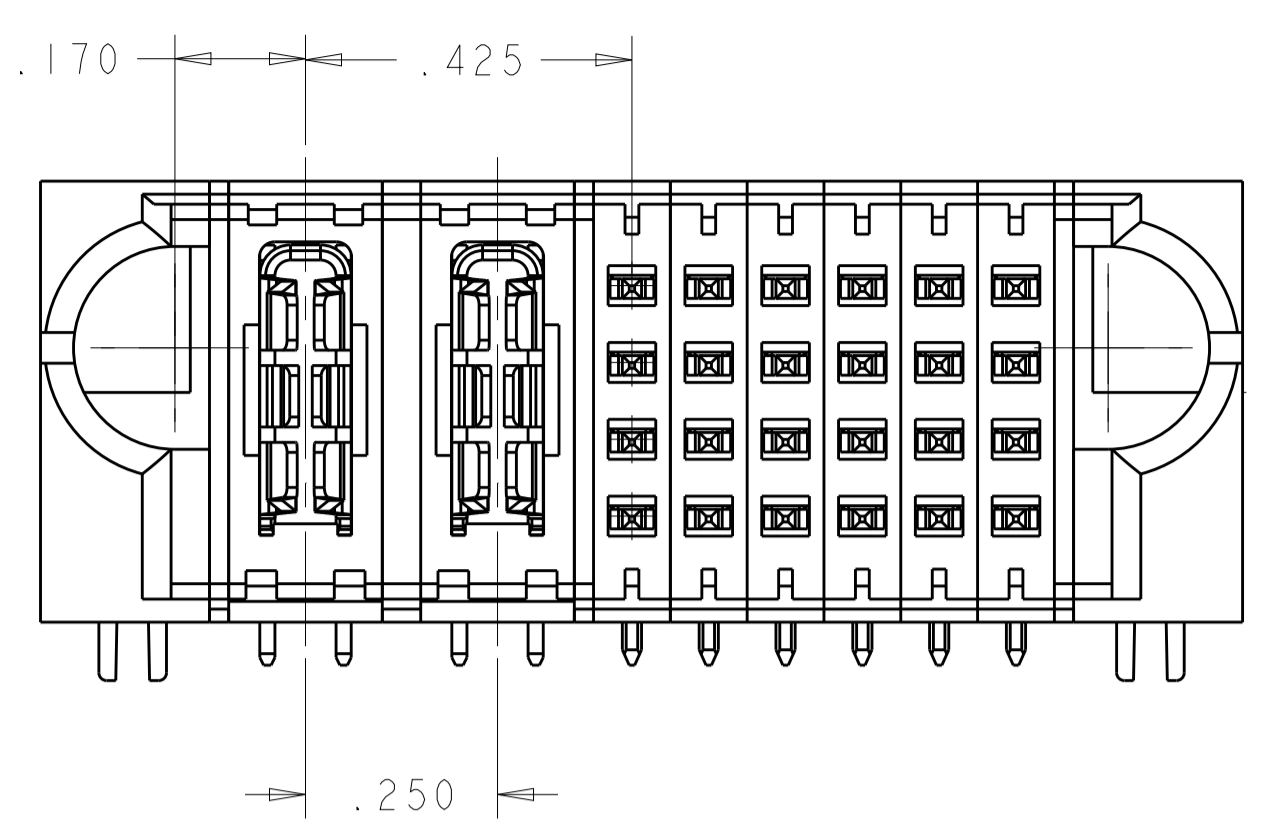
NO CONTACT LOADED



THIS DRAWING IS A CONTROLLED DOCUMENT.		DMN H. LIU 27MAY2008	TE Connectivity
DIMENSIONS: INCHES		CHK S. ZHAO 27MAY2008	
		TOLERANCES UNLESS OTHERWISE SPECIFIED: 0 PLC ± 1 PLC ±.01 2 PLC ±.01 3 PLC ±.005 4 PLC ±.0020 ANGLES ±.2°	NAME R/A HEADER WITH SHORT GUIDES AND LP CONTACTS ASSEMBLY MULTI-BEAM XLE
MATERIAL		APVD S. ZHAO	PRODUCT SPEC 108-2292 APPLICATION SPEC 114-13251
FINISH		WEIGHT	SIZE CAGE CODE DRAWING NO A100779C=6450832
CUSTOMER DRAWING		SCALE 4:1	SHEET 9 OF 24 REV K6

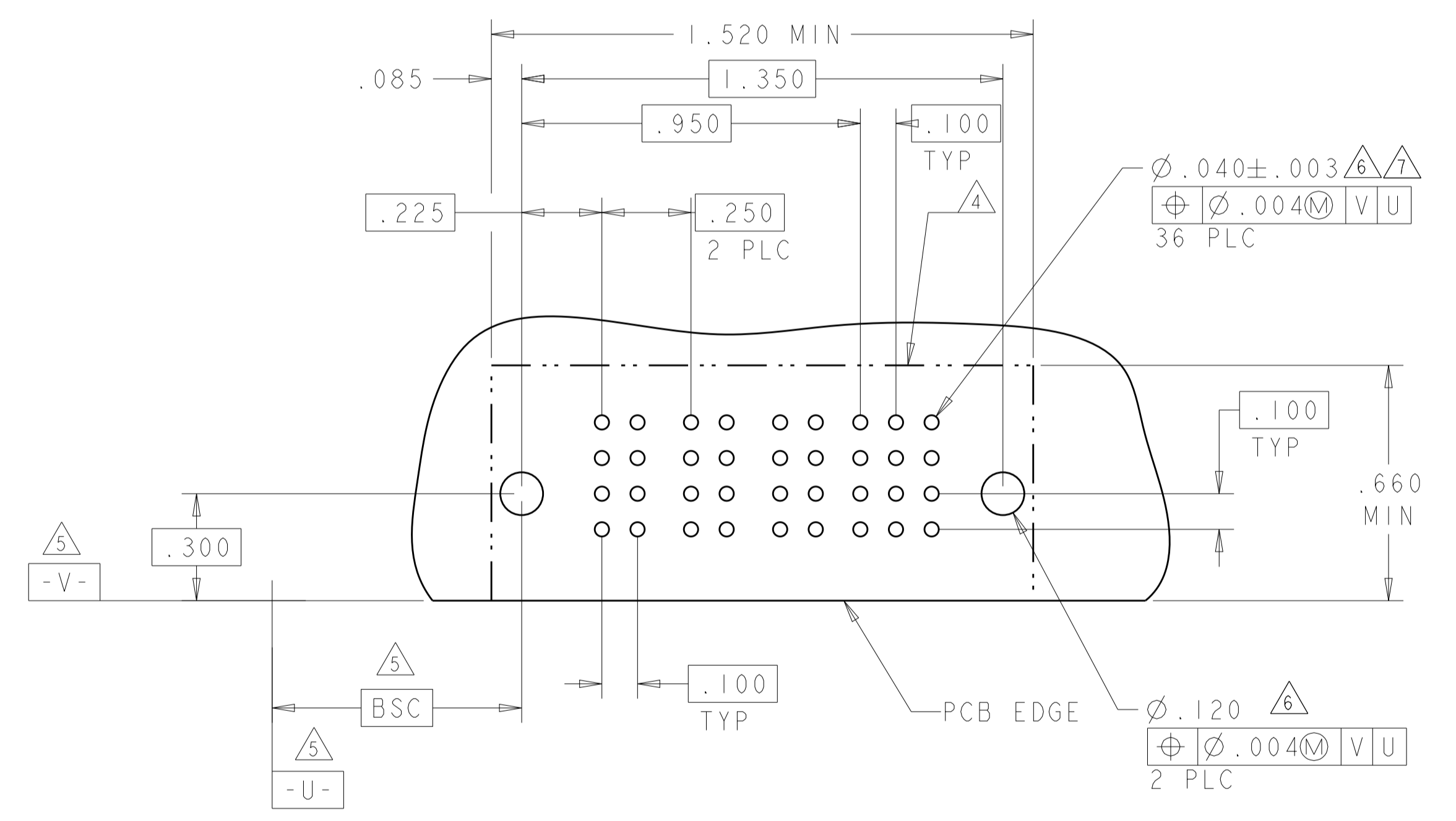
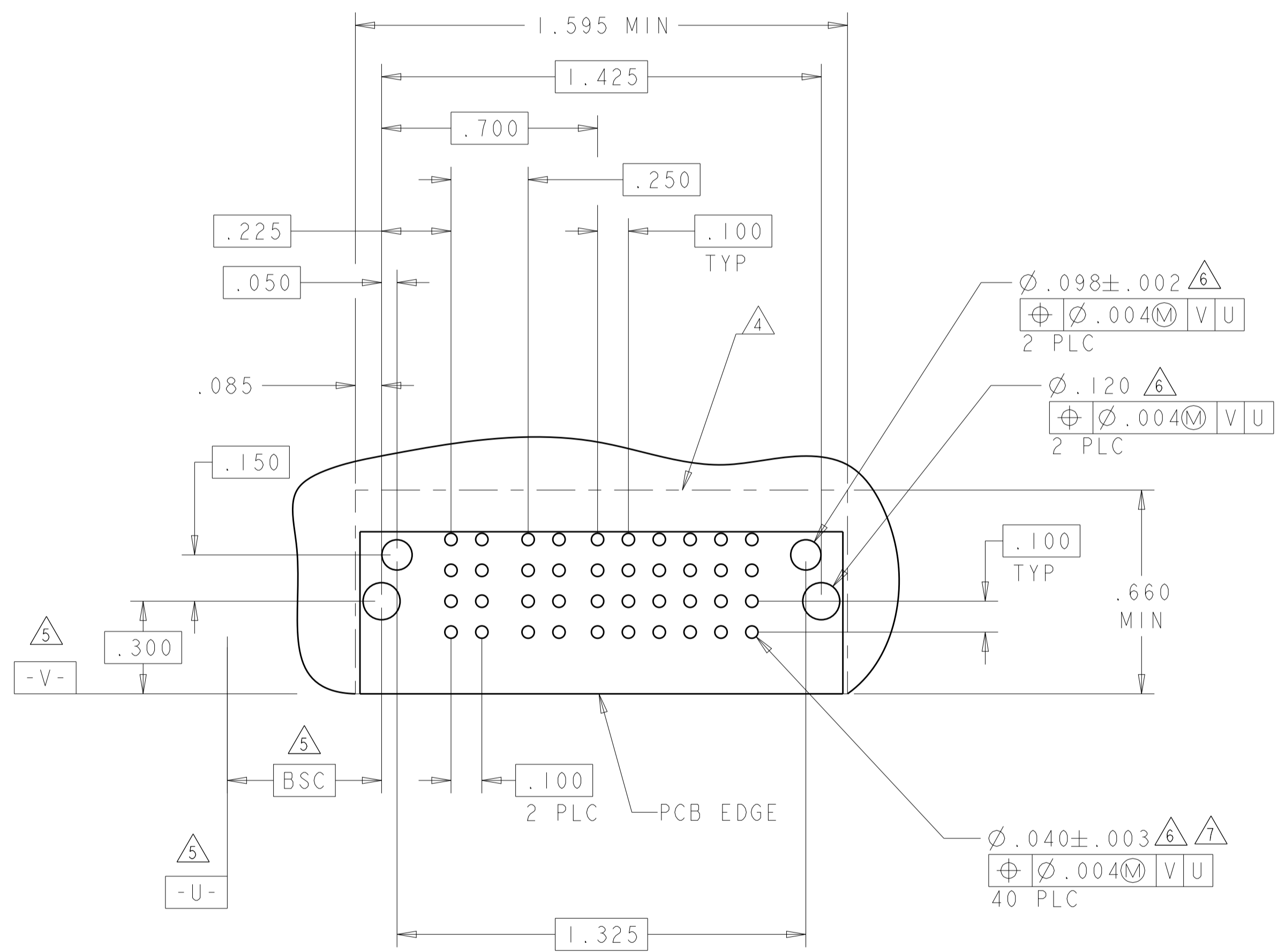
LOC	DIST	REV	DATE	BY	APPV
		1			

PART NUMBER	ROWS	POWER		SIGNAL					
		P1	P2	1	2	3	4	5	6
		I-6450832-2	D C B A	TM	TM	J K N H	J K N S	J K N S	J K N S



PART VIEW 1-6450832-2

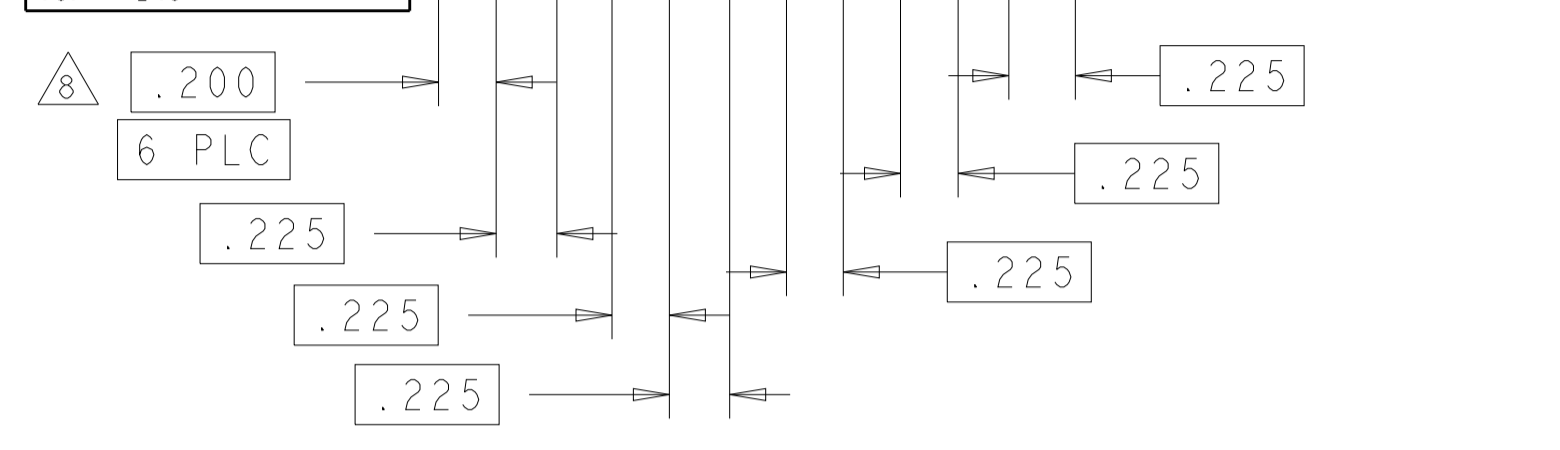
PART NUMBER	ROWS	POWER			SIGNAL		
		P1	P2	P3	1	2	3
		I-6450832-4	D C B A	TM	TM	TM	J K N S



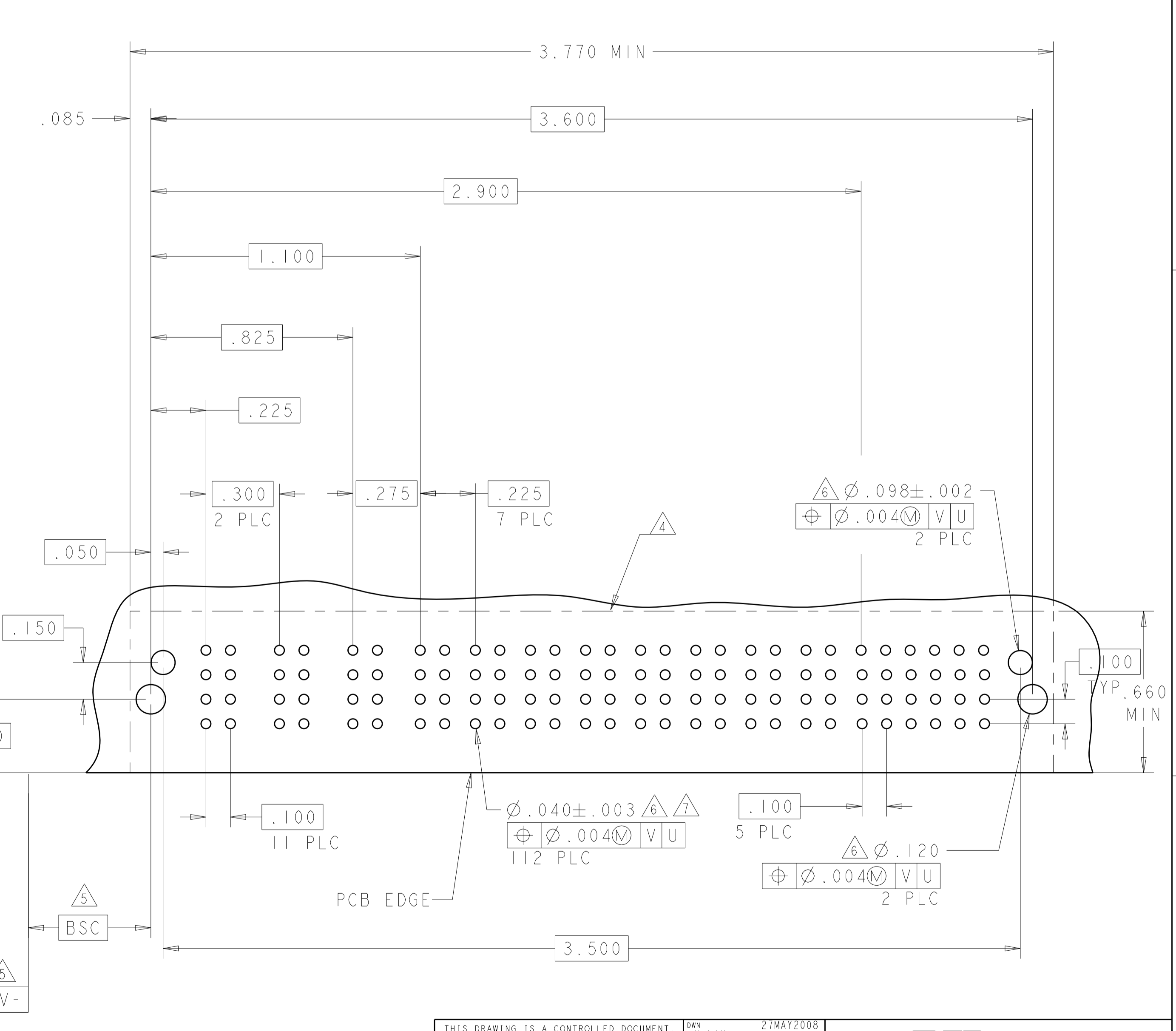
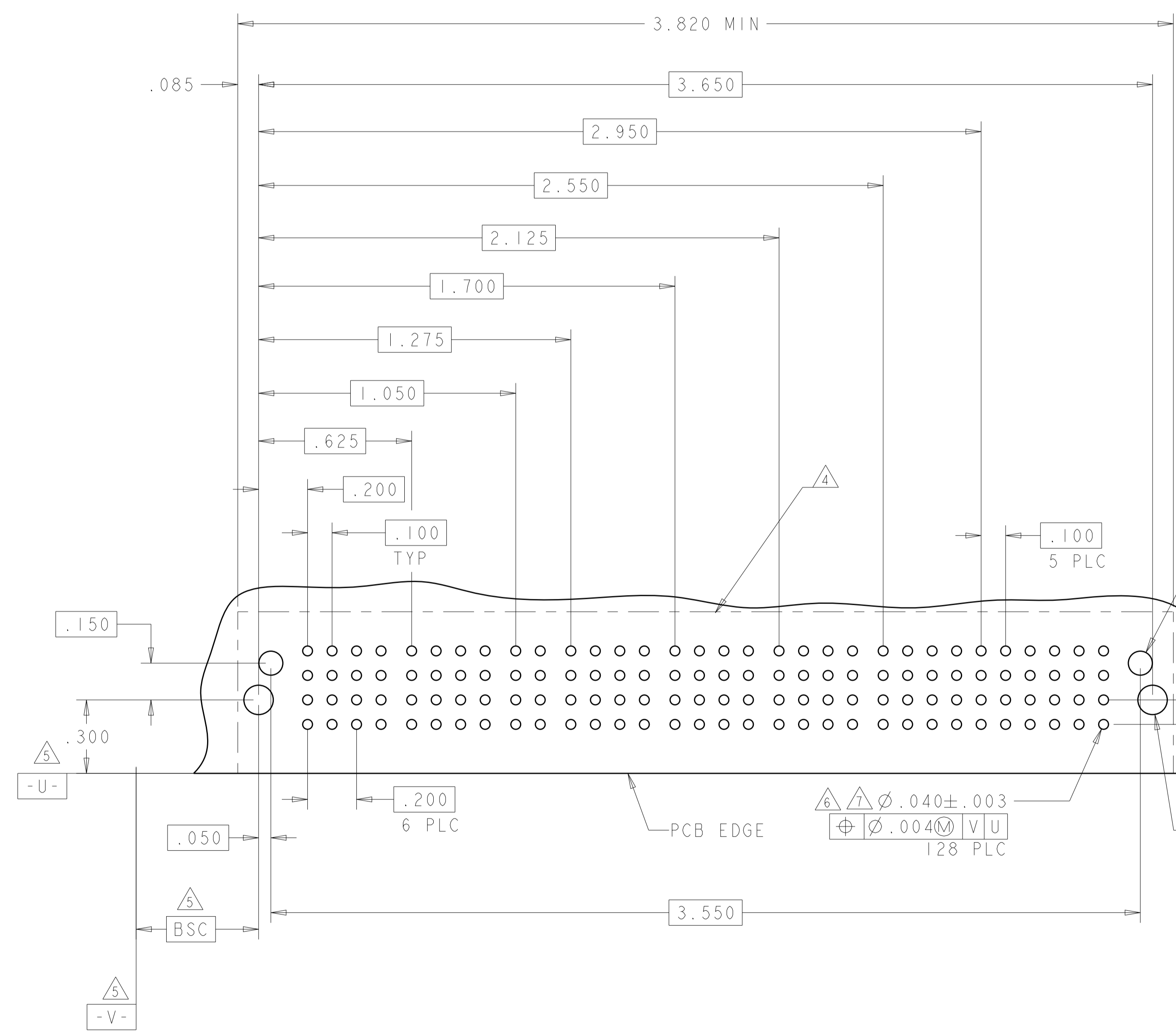
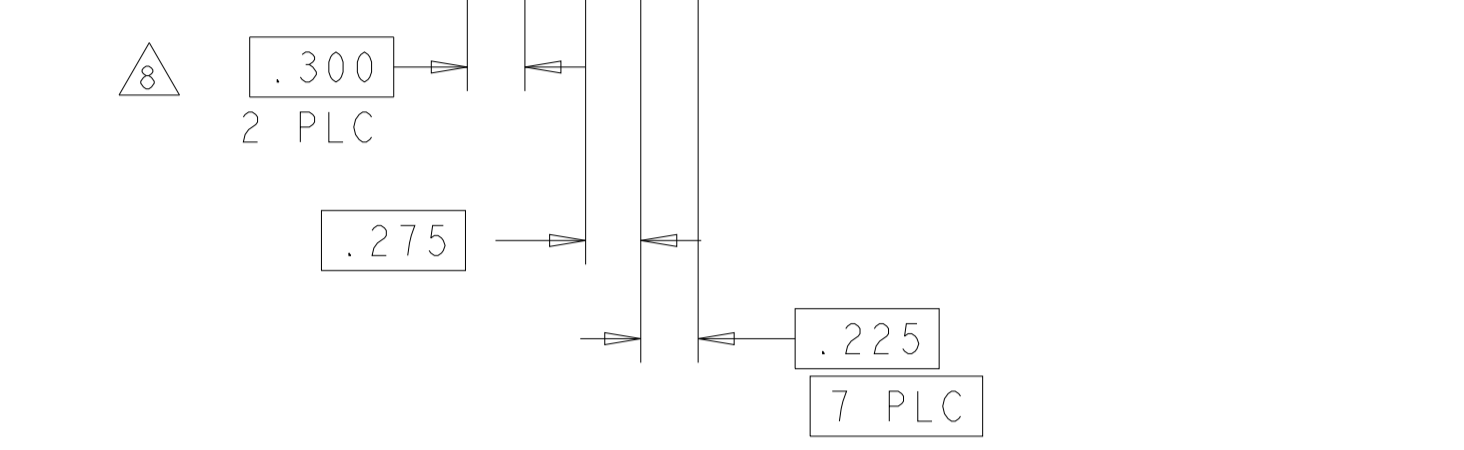
THIS DRAWING IS A CONTROLLED DOCUMENT.		OWN H. LIU 27MAY2008			TE Connectivity
DIMENSIONS: INCHES		CHK S. ZHAO 27MAY2008	NAME R/A HEADER WITH SHORT GUIDES AND LP CONTACTS ASSEMBLY MULTI-BEAM XLE		
TOLERANCES UNLESS OTHERWISE SPECIFIED: 0 PLC ±. 2 PLC ±.01 3 PLC ±.005 4 PLC ±.0020 ANGLES ±.020		APV S. ZHAO	PRODUCT SPEC 108-2292 APPLICATION SPEC 114-13251		
MATERIAL FINISH		WEIGHT -	SIZE A100779	CAGE CODE C=6450832	RESTRICTED TO -
CUSTOMER DRAWING		SCALE 4:1	SHEET 10	OF 24	REV K6

LOC	DIST	REVISIONS			
P	LTN	DESCRIPTION	DATE	DMN	APVD
-	-	SEE SHEET 1	-	-	-

PART NUMBER	ROWS	POWER										SIGNAL							
		P1	P2	P3	P4	P5	P6	P7	P8	P9	P10	P11	P12	P13	1	2	3	4	5
1-6450832-6	D C B A	TM	TM	TM	TM	TM	TM	TM	TM	TM	TM	TM	TM	E	E	J	J	E	E
													K	F	K	K	K	K	
													N	G	N	G	G	G	
													S	S	S	S	S	S	



PART NUMBER	ROWS	POWER										SIGNAL						
		P1	P2	P3	P4	P5	P6	P7	P8	P9	P10	P11	1	2	3	4	5	6
1-6450832-7	D C B A	TM	TM	TM	TM	TM	TM	TM	TM	TM	TM	TM	E	E	J	J	E	E
												K	F	K	K	K	K	
												N	G	N	G	G	G	
												S	S	S	S	S	S	



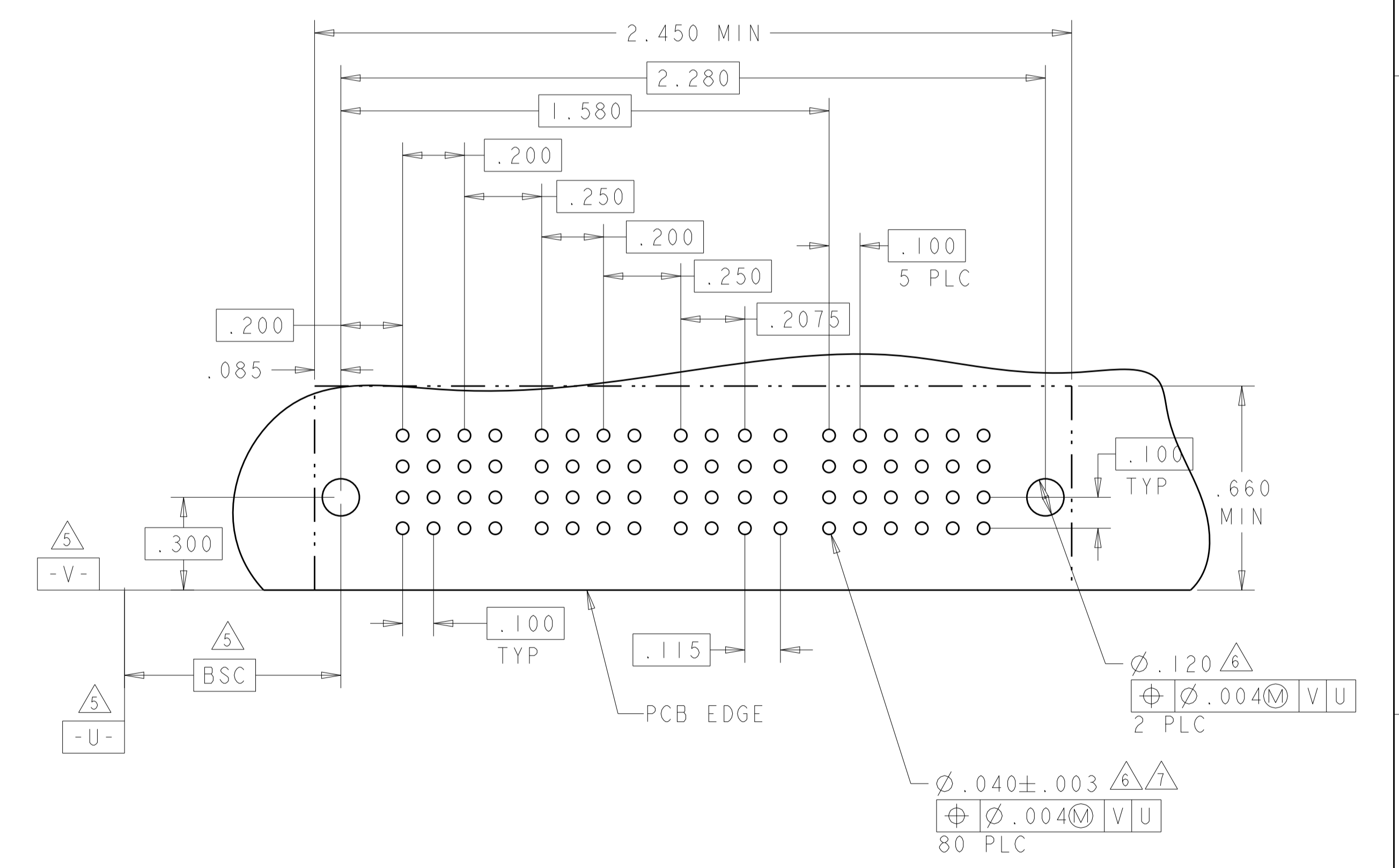
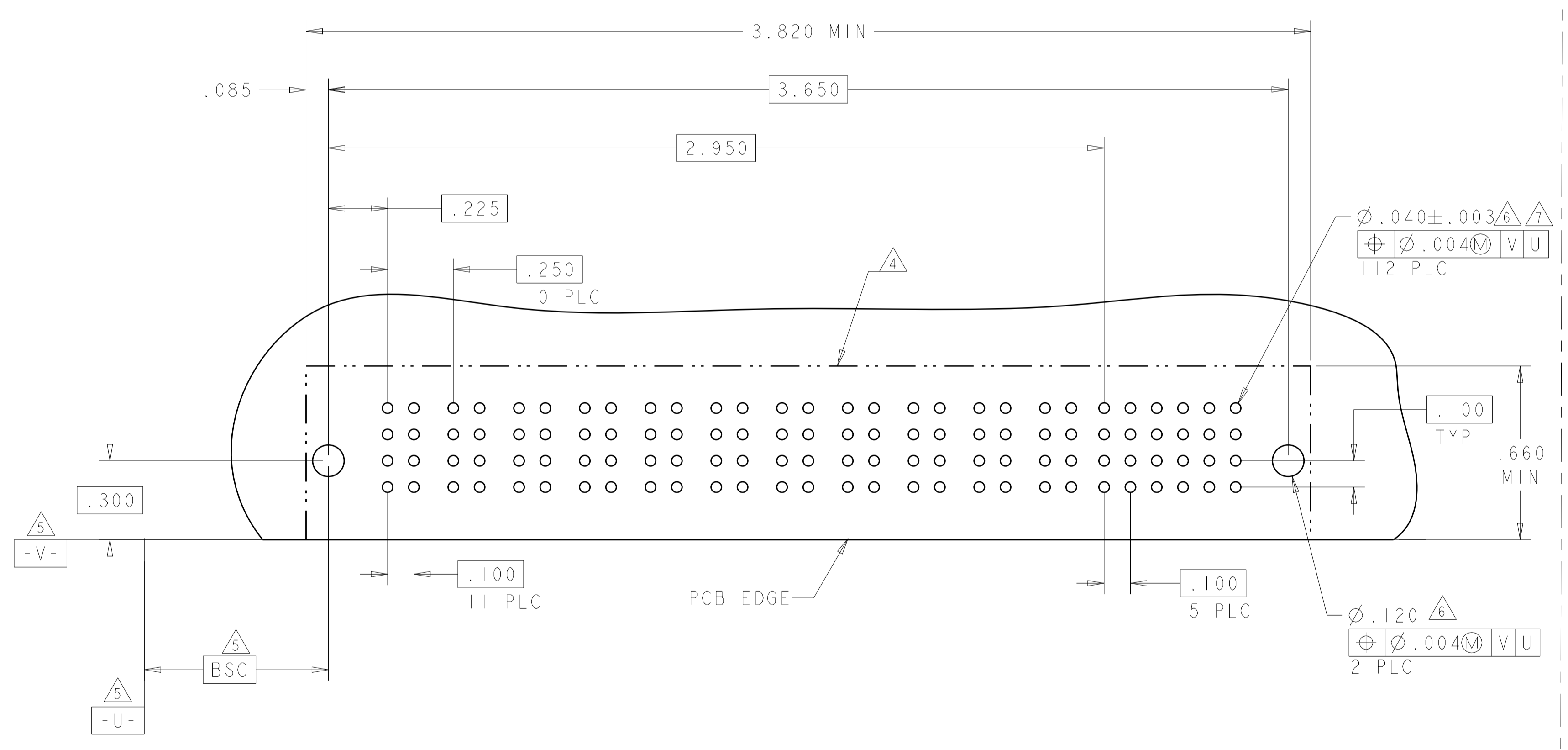
THIS DRAWING IS A CONTROLLED DOCUMENT.		DMN H. LIU 27MAY2008	
DIMENSIONS: INCHES		CHK S. ZHAO 27MAY2008	
TOLERANCES UNLESS OTHERWISE SPECIFIED:		APVD S. ZHAO	NAME R/A HEADER WITH SHORT GUIDES AND LP CONTACTS ASSEMBLY MULTI-BEAM XLE
0 PLC ±. 1 PLC ±.01 2 PLC ±.01 3 PLC ±.005 4 PLC ±.005 ANGLES ±.0020 FINISH *P*		PRODUCT SPEC 108-2292	SIZE 114-13251
MATERIAL		APPLICATION SPEC 114-13251	RESTRICTED TO
		WEIGHT	A100779C=6450832
		CUSTOMER DRAWING	SCALE 4:1 SHEET 11 OF 24 REV K6

LOC	DIST	REV	DATE	BY	APPV
		1			

PART NUMBER	ROWS	POWER										SIGNAL					
		P1	P2	P3	P4	P5	P6	P7	P8	P9	P10	P11	1	2	3	4	5
1-6450832-9	D											J	E	J	J	J	E
	C											K	K	F	F	K	F
	B	TM	TM	TM	TM	TM	TM	TM	TM	TM	TM	G	N	G	G	N	G
	A											S	S	S	S	H	H
11P + 24S																	

PART NUMBER	ROWS	POWER							SIGNAL					
		P1	P2	P3	P4	P5	LP1	LP2	1	2	3	4	5	6
2-6450832-0	D								J	F	J	J	J	J
	C								K	FK	K	K	F	F
	B	TM	TM	TM	TM	TM	LM	LMF	N	FN	N	N	FN	FN
	A								S	FS	H	S	H	H
5P + 2LP + 24S														

PART NUMBER	ROWS	POWER							SIGNAL					
		P1	P2	P3	P4	P5	LP1	LP2	1	2	3	4	5	6
2-6450832-5	D								J	F	J	J	J	J
	C								K	FK	K	K	F	F
	B	TM	TM	TM	TM	TM	LMF	LMF	N	FN	N	N	FN	FN
	A								S	FS	H	S	H	H
5P + 2LP + 24S														



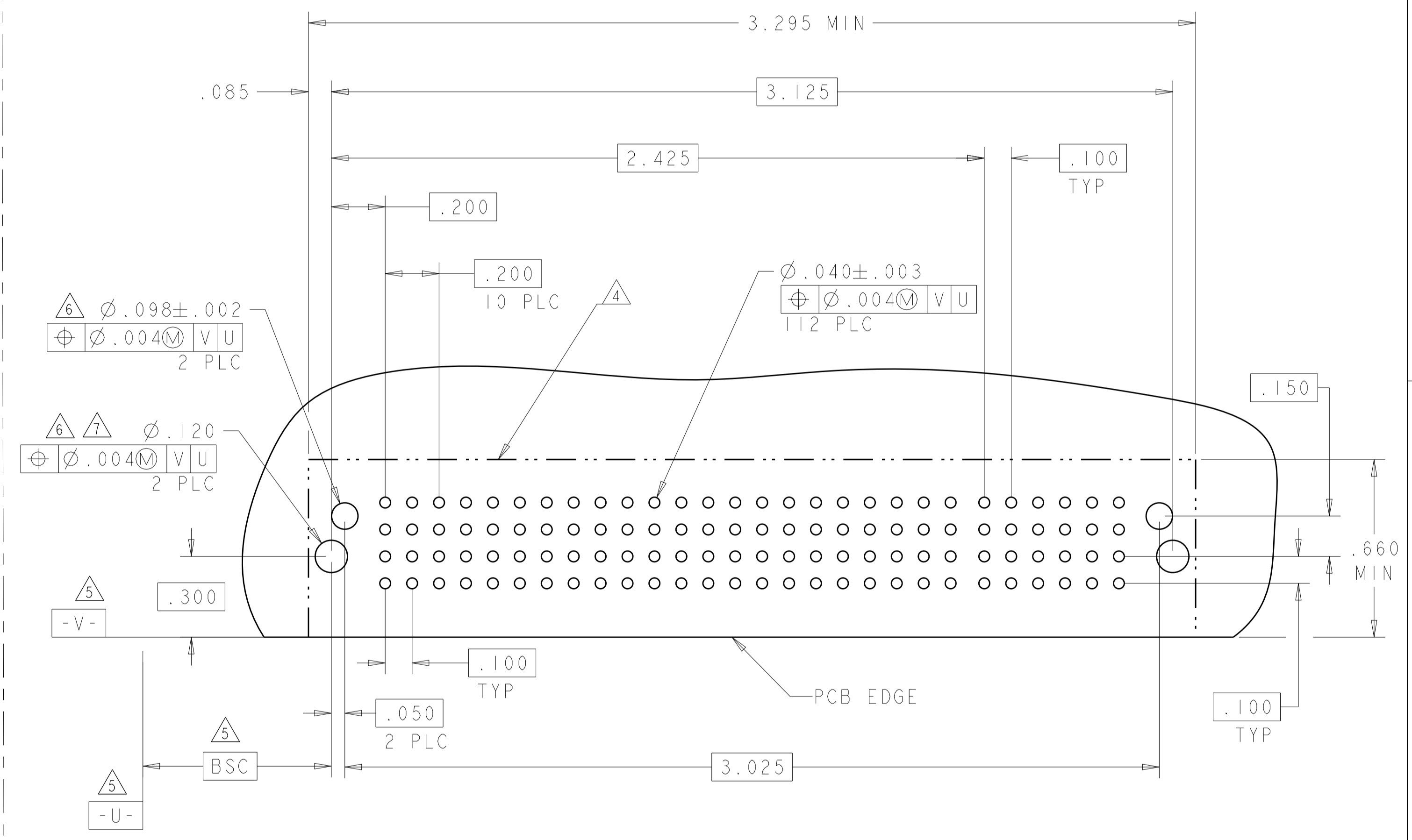
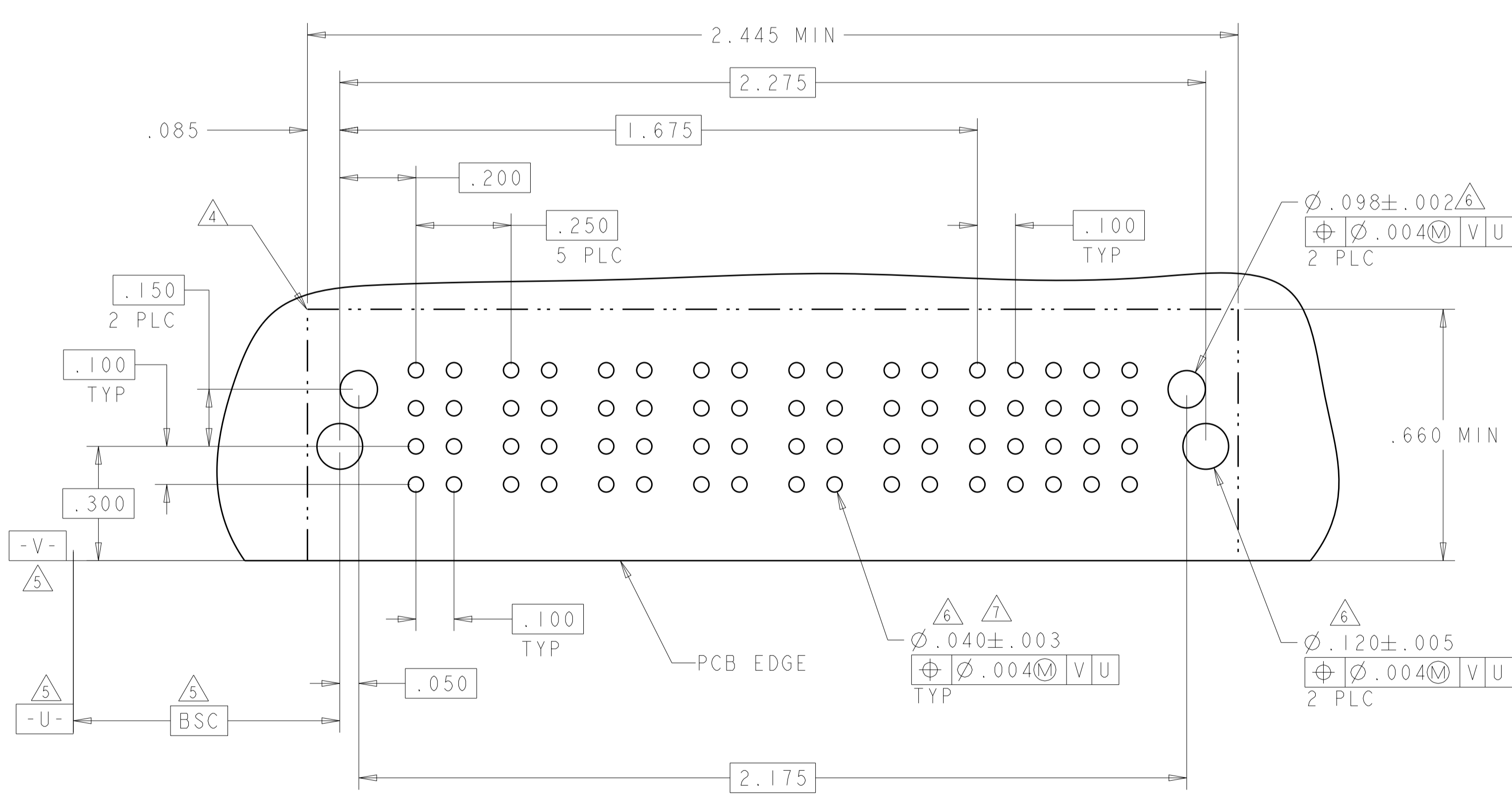
2-6450830-0 AND 2-6450830-5 PCB LAYOUT

THIS DRAWING IS A CONTROLLED DOCUMENT.		OWN: H. LIU 27MAY2008		TE Connectivity
DIMENSIONS: INCHES		CHK: S. ZHAO 27MAY2008		NAME: R/A HEADER WITH SHORT GUIDES AND LP CONTACTS ASSEMBLY
TOLERANCES UNLESS OTHERWISE SPECIFIED:		APVD: S. ZHAO	PRODUCT SPEC: 108-2292	
0 PLC ±.01		PRODUCT SPEC: 114-13251	APPLICATION SPEC: 114-13251	
1 PLC ±.01		SIZE: 114-13251	CAGE CODE: 6450832	
2 PLC ±.01		WEIGHT: -	CUSTOMER DRAWING	
3 PLC ±.005		SCALE: 4:1	SHEET 12 OF 24	
4 PLC ±.002		REV: K6		
ANGLES ±.020				
FINISH: -				

LOC	DIST	REVISIONS			
P	LTM	DESCRIPTION	DATE	DWN	APVD
-	-	SEE SHEET 1	-	-	-

PART NUMBER	ROWS	POWER						SIGNAL				
		P1	P2	P3	P4	P5	P6	1	2	3	4	5
2-6450832-2	D C B A	TM	TM	TM	TM	TM	J	J	J	J	J	
							K	K	K	K	K	
							N	G	N	N	N	
							S	S	S	S	S	
6P + 20S		HD		HD		HD		HD		HD		

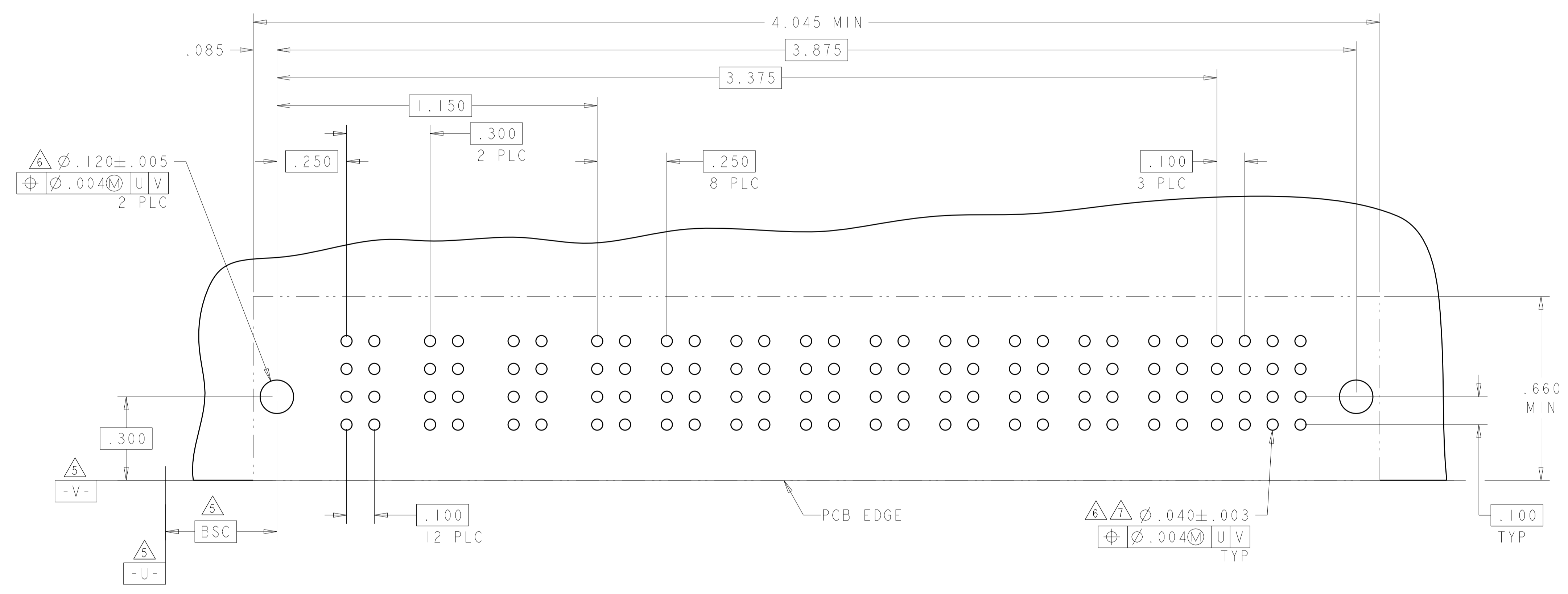
PART NUMBER	ROWS	POWER										SIGNAL					
		P1	P2	P3	P4	P5	P6	P7	P8	P9	P10	P11	1	2	3	4	5
2-6450832-8	D C B A	TM	TM	TM	TM	TM	TM	TM	TM	TM	TM	J	J	J	J	J	E
												K	K	K	K	K	F
												N	N	N	N	N	N
11HDP + 24S		HD		HD		HD		HD		HD		HD		HD		HD	



THIS DRAWING IS A CONTROLLED DOCUMENT.		DWN: H. LIU 27MAY2008	TE Connectivity
DIMENSIONS: INCHES		CHK: S. ZHAO 27MAY2008	
DIMENSIONS: INCHES 0 PLC ± 1 PLC ±.01 2 PLC ±.01 3 PLC ±.005 4 PLC ±.002 ANGLES ±.020		NAME: R/A HEADER WITH SHORT GUIDES AND LP CONTACTS ASSEMBLY PRODUCT SPEC: 108-2292 APPLICATION SPEC: 114-13251 WEIGHT: - MATERIAL: - FINISH: -	
MATERIAL: -		SIZE: A100779 CAGE CODE: C=6450832 CUSTOMER DRAWING: - SCALE: 4:1 SHEET 13 OF 24 REV: K6	

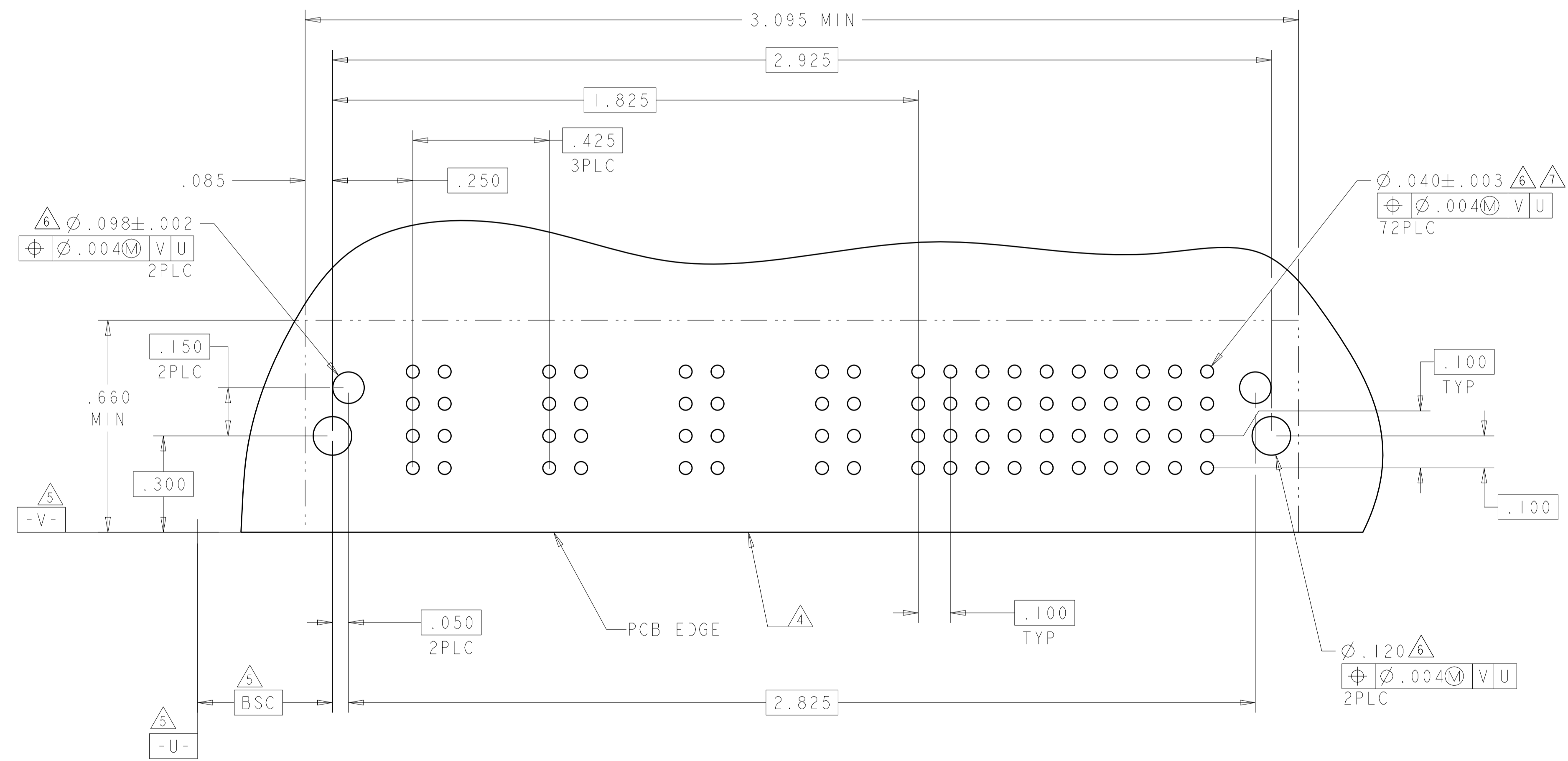
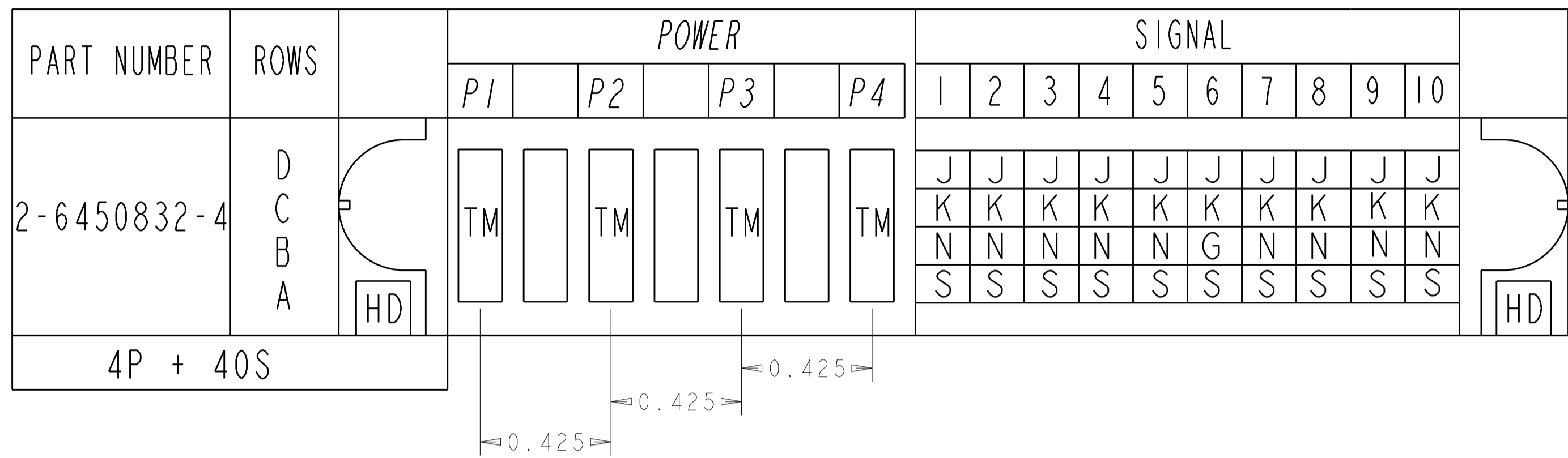
LOC	DIST	REVISIONS			
P	LTN	DESCRIPTION	DATE	DMN	APVD
-	-	SEE SHEET 1	-	-	-

PART NUMBER	ROWS	POWER												SIGNAL			
		P1	P2	P3	P4	P5	P6	P7	P8	P9	P10	P11	P12	1	2	3	4
2-6450832-3	D	PS	PS	PS	PS	PS	PS	PS	PS	PS	PS	PS	PS	J	J	J	J
	C	PS	PS	PS	PS	PS	PS	PS	PS	PS	PS	PS	PS	K	K	K	K
	B	PS	PS	PS	PS	PS	PS	PS	PS	PS	PS	PS	PS	N	N	N	N
	A	PS	PS	PS	PS	PS	PS	PS	PS	PS	PS	PS	PS	S	S	S	H
3ACP + 9P + 16S																	



THIS DRAWING IS A CONTROLLED DOCUMENT.		DMN H. LIU 27MAY2008													
DIMENSIONS: INCHES		CHK S. ZHAO 27MAY2008													
TOLERANCES UNLESS OTHERWISE SPECIFIED:		APVD S. ZHAO	NAME R/A HEADER WITH SHORT GUIDES AND LP CONTACTS ASSEMBLY MULTI-BEAM XLE												
<table border="1"> <tr><td>0 PLC</td><td>±</td></tr> <tr><td>1 PLC</td><td>±.01</td></tr> <tr><td>2 PLC</td><td>±.01</td></tr> <tr><td>3 PLC</td><td>±.005</td></tr> <tr><td>4 PLC</td><td>±.0020</td></tr> <tr><td>ANGLES</td><td>±2°</td></tr> </table>		0 PLC	±	1 PLC	±.01	2 PLC	±.01	3 PLC	±.005	4 PLC	±.0020	ANGLES	±2°	PRODUCT SPEC 108-2292	SIZE A100779
0 PLC	±														
1 PLC	±.01														
2 PLC	±.01														
3 PLC	±.005														
4 PLC	±.0020														
ANGLES	±2°														
MATERIAL		APPLICATION SPEC 114-13251	DRAWING NO C=6450832												
FINISH		WEIGHT	RESTRICTED TO												
CUSTOMER DRAWING		SCALE 4:1	SHEET 14 OF 24												

LOC	DIST	REV	DATE	BY	APPV
		1			



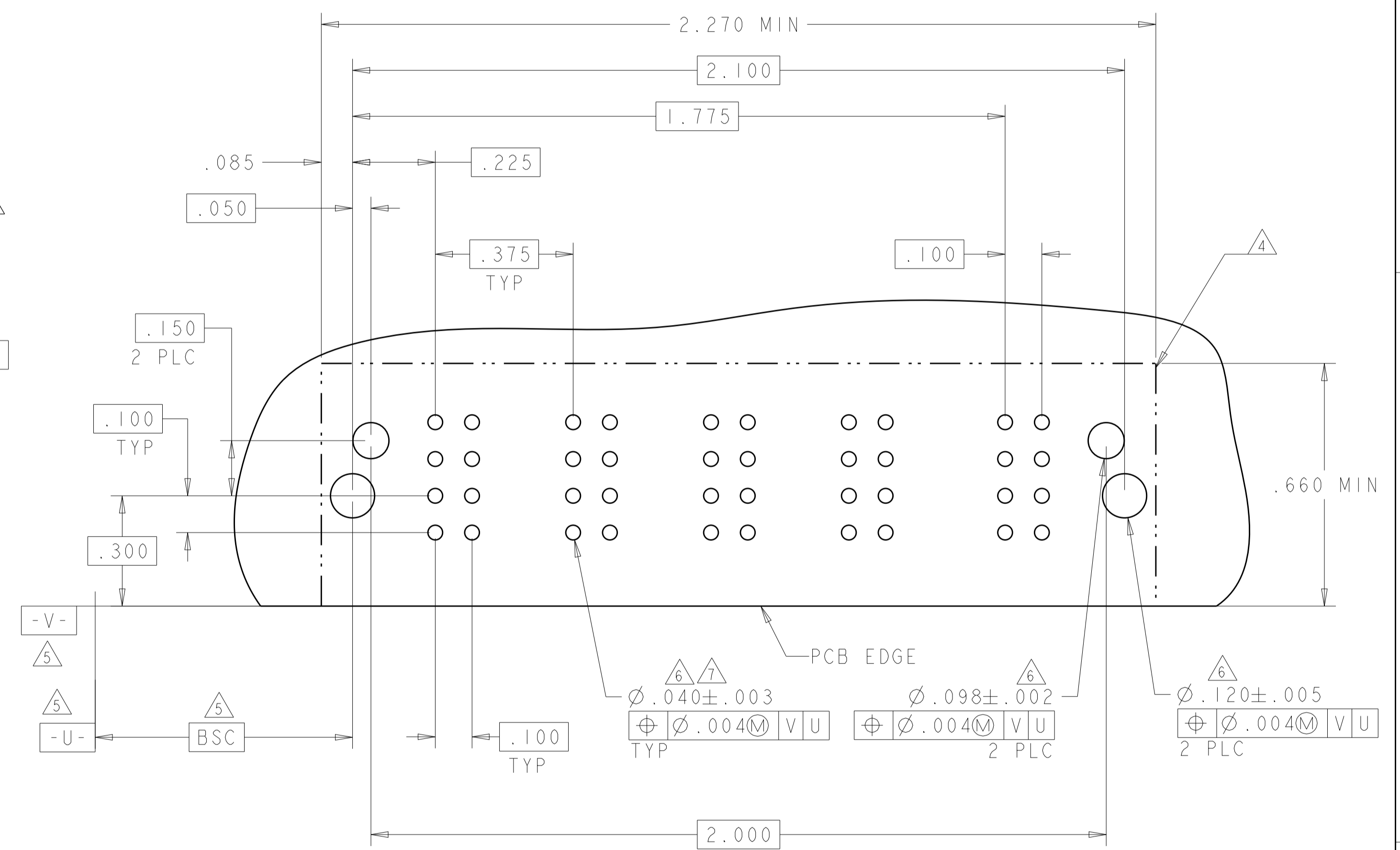
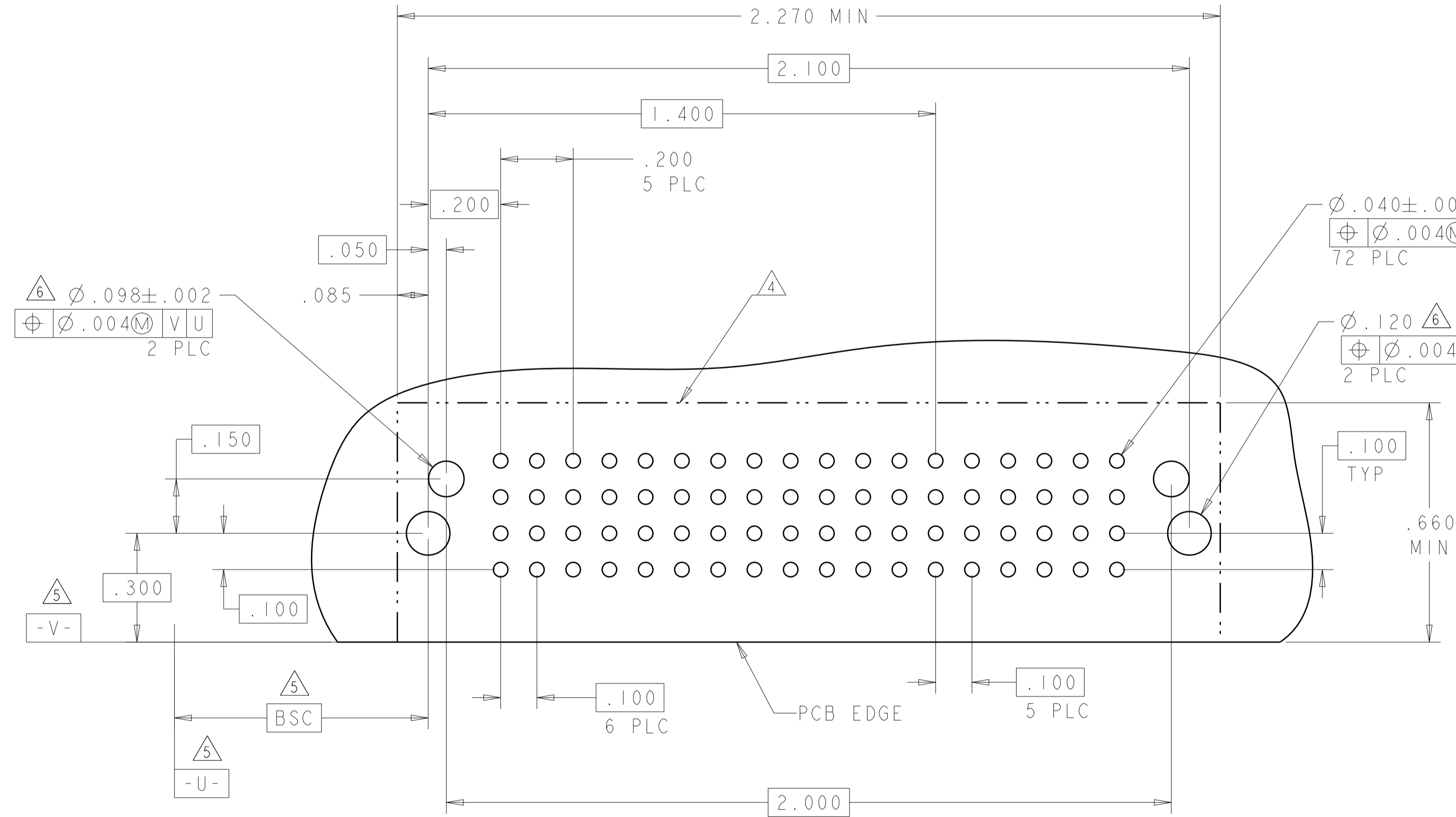
RECOMMENDED PCB LAYOUT BY TE

THIS DRAWING IS A CONTROLLED DOCUMENT.		DWN: H.LIU 27MAY2008 CHK: S.ZHAO 27MAY2008 APVD: S.ZHAO	
DIMENSIONS: INCHES	TOLERANCES UNLESS OTHERWISE SPECIFIED: 0 PLC ±. 1 PLC ±.01 2 PLC ±.01 3 PLC ±.005 4 PLC ±.0020 ANGLES ±.2°	NAME: R/A HEADER WITH SHORT GUIDES AND LP CONTACTS ASSEMBLY MULTI-BEAM XLE PRODUCT SPEC: 108-2292 APPLICATION SPEC: 114-13251 WEIGHT: -	
MATERIAL:	FINISH:	SIZE: A100779 CAGE CODE: C=6450832 CUSTOMER DRAWING	RESTRICTED TO: - SCALE: 4:1 SHEET 15 OF 24 REV: K6

LOC	DIST	REVISIONS			
P	LTN	DESCRIPTION	DATE	DMN	APVD
-	-	SEE SHEET 1	-	-	-

PART NUMBER	ROWS	HD	POWER						SIGNAL						HD
			P1	P2	P3	P4	P5	P6	1	2	3	4	5	6	
2-6450832-6	D	HD	TM	TM	TM	TM	TM	TM	J	J	J	J	J	J	
	C								K	K	K	K	K	K	
	B								N	N	N	N	N	N	
	A								S	S	S	S	S	S	
6HDP + 24S															

PART NUMBER	ROWS	HD	POWER				SIGNAL		HD
			P1	P2	P3	P4	1	2	
3-6450832-0	D	HD	TM	TM	TM	TM	J	E	
	C						K	F	
	B						N	G	
	A						S	H	
4ACP + 8S									



THIS DRAWING IS A CONTROLLED DOCUMENT.

DIMENSIONS: INCHES	TOLERANCES UNLESS OTHERWISE SPECIFIED:	DMN: H. LIU 27MAY2008	CHK: S. ZHAO 27MAY2008	TE Connectivity
0 PLC ± 2 PLC ±.01 3 PLC ±.01 4 PLC ±.005 ANGLES ±.0020	FINISH: #2	APVD: S. ZHAO	NAME: R/A HEADER WITH SHORT GUIDES AND LP CONTACTS ASSEMBLY MULTI-BEAM XLE	
MATERIAL:	FINISH:	PRODUCT SPEC: 108-2292	APPLICATION SPEC: 114-13251	SIZE: A100779
CUSTOMER DRAWING		WEIGHT:	SCALE: 4:1	SHEET 16 OF 24

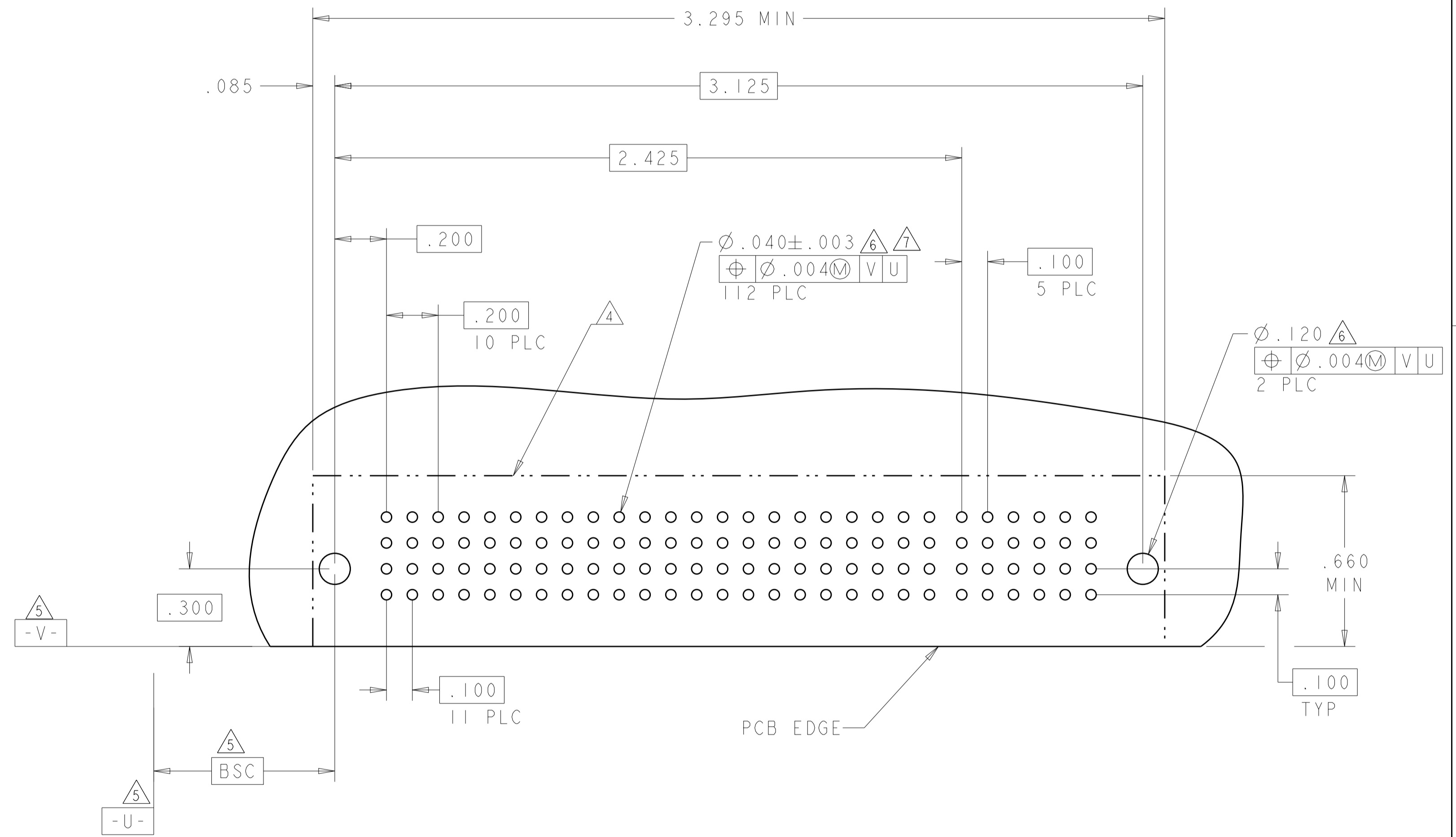
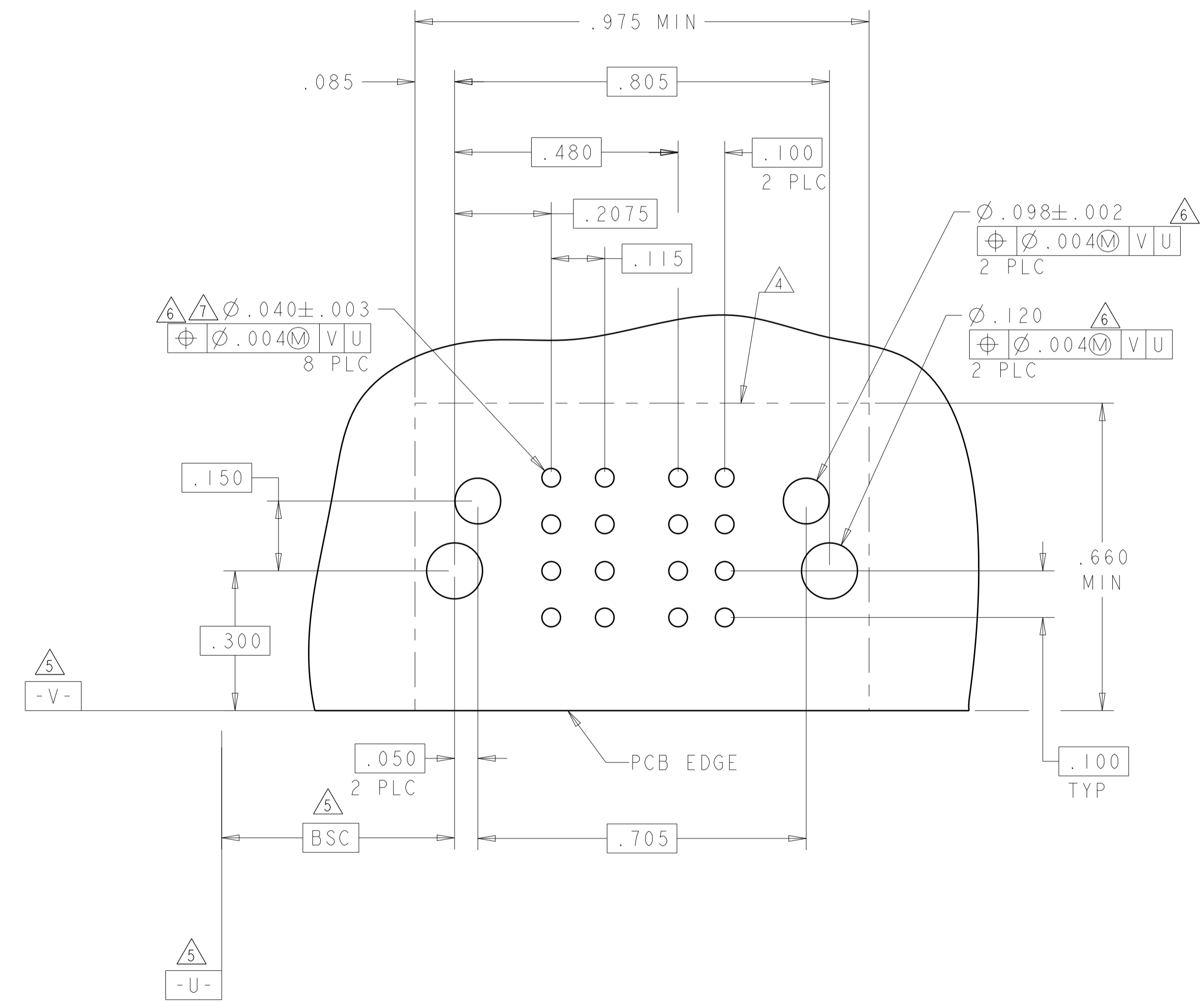
LOC	DIST	REVISIONS			
P	LTN	DESCRIPTION	DATE	DMN	APVD
-	-	SEE SHEET 1	-	-	-

PART NUMBER	ROWS	POWER		SIGNAL	
		P1	P2	1	2
3-6450832-1	D	LM	LM	J	J
	C			N	N
	B			S	S
	A				

2LP + 8S

PART NUMBER	ROWS	POWER										SIGNAL					
		P1	P2	P3	P4	P5	P6	P7	P8	P9	P10	P11	1	2	3	4	5
3-6450832-2	D	TM	TM	TM	TM	TM	TM	TM	TM	TM	TM	J	J	J	J	J	E
	C											K	K	K	K	K	F
	B											N	N	N	N	N	N
	A											S	S	S	S	S	S

11HDP + 24S



THIS DRAWING IS A CONTROLLED DOCUMENT.

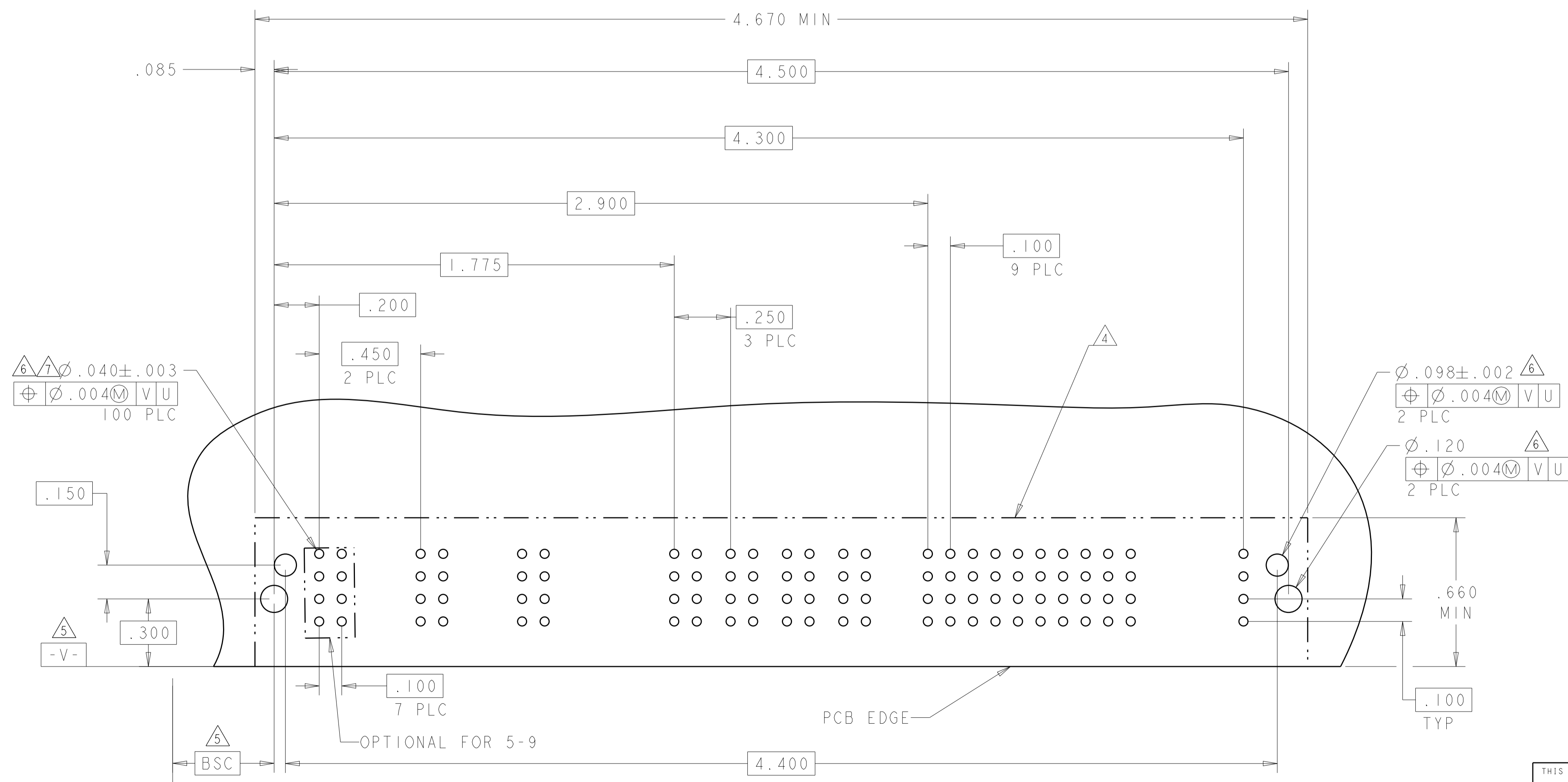
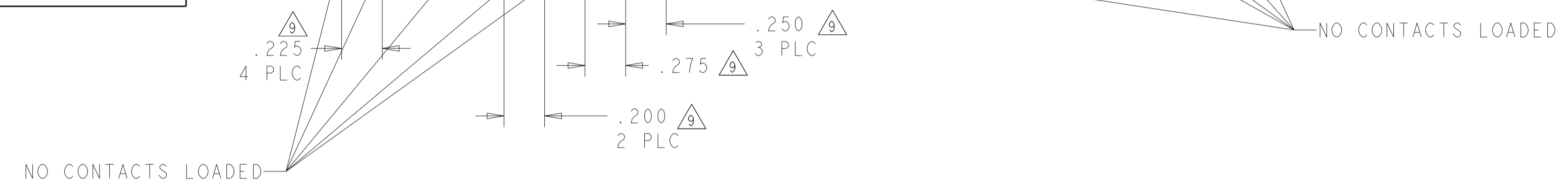
DIMENSIONS:	TOLERANCES UNLESS OTHERWISE SPECIFIED:	DMN	H. LIU	27MAY2008
INCHES	0 PLC ±.01	CHK	S. ZHAO	27MAY2008
	1 PLC ±.01	APVD	S. ZHAO	
	2 PLC ±.01	NAME	R/A HEADER WITH SHORT GUIDES AND LP CONTACTS ASSEMBLY MULTI-BEAM XLE	
	3 PLC ±.005	PRODUCT SPEC	108-2292	
	4 PLC ±.0020	APPLICATION SPEC	114-13251	
MATERIAL	FINISH	SIZE	CAGE CODE	DRAWING NO
		WEIGHT		RESTRICTED TO
			A100779	C=6450832
		CUSTOMER DRAWING	SCALE	4:1 SHEET 17 OF 24 REV K6

LOC	DIST	REVISIONS			
P	LTH	DESCRIPTION	DATE	DWN	APVD
-	-	SEE SHEET 1	-	-	-

ASSY PART NUMBER	ROWS	POWER										SIGNAL																	
		P1	P2	P3	P4	P5	P6	P7	P8	P9	P10	P11	1	2	3	4	5	6	7	8	9	10	11	12	13	14	15	16	
3-6450832-3	DCBA	TM	TM	TM					TM	TM	TM	TM	J	J	J	J	J	J	J	J	J	J	J						J
													N	N	N	N	N	N	N	N	N	N	N						K
													S	S	S	S	S	S	S	S	S	S	S						S



ASSY PART NUMBER	ROWS	POWER										SIGNAL																	
		P1	P2	P3	P4	P5	P6	P7	P8	P9	P10	P11	1	2	3	4	5	6	7	8	9	10	11	12	13	14	15	16	
5-6450832-9	DCBA		TM	TM					TM	TM	TM	TM	J	J	J	J	J	J	J	J	J	J	J						J
													N	N	N	N	N	N	N	N	N	N	N						K
													S	S	S	S	S	S	S	S	S	S	S						N



RECOMMEND PCB LAYOUT FOR 3-6450332-3 AND 5-6450832-9

THIS DRAWING IS A CONTROLLED DOCUMENT.		DWN: H.LIU 27MAY2008	TE Connectivity
DIMENSIONS: INCHES		CHK: S.ZHAO 27MAY2008	
TOLERANCES UNLESS OTHERWISE SPECIFIED: 0 PLC ±. 1 PLC ±.01 2 PLC ±.01 3 PLC ±.005 4 PLC ±.002 ANGLES ±.2°		APVD: S.ZHAO	NAME: R/A HEADER WITH SHORT GUIDES AND LP CONTACTS ASSEMBLY MULTI-BEAM XLE
MATERIAL: FINISH:		PRODUCT SPEC: 108-2292	SIZE: CAGE CODE DRAWING NO: 114-13251
CUSTOMER DRAWING		WEIGHT: -	RESTRICTED TO: -
		SCALE: 4:1	SHEET 18 OF 24

LOC	DIST	REVISONS	DATE	DWN	APVD
		P. LTM	DESCRIPTION		
		-	SEE SHEET 1	-	-

PART NUMBER	ROWS	POWER					SIGNAL				
		P1	P2	P3	P4	P5	1	2	3	4	5
3-6450832-5	D	TM	TM	TM	TM	J	J	J	J	J	
	C					K	K	K	K	K	
	B					N	N	N	N	N	
	A					H	H	S	S	S	

5HDP + 20S

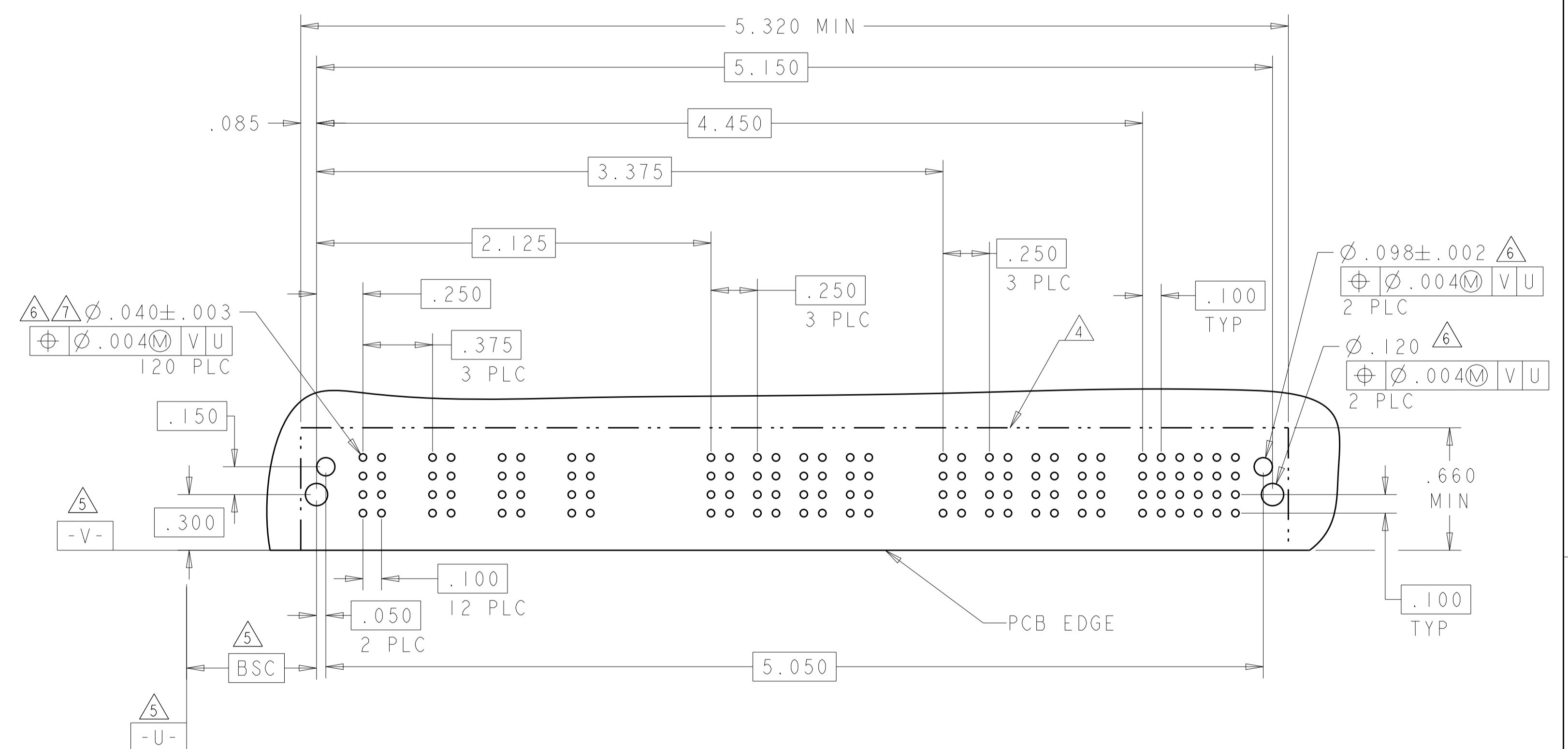
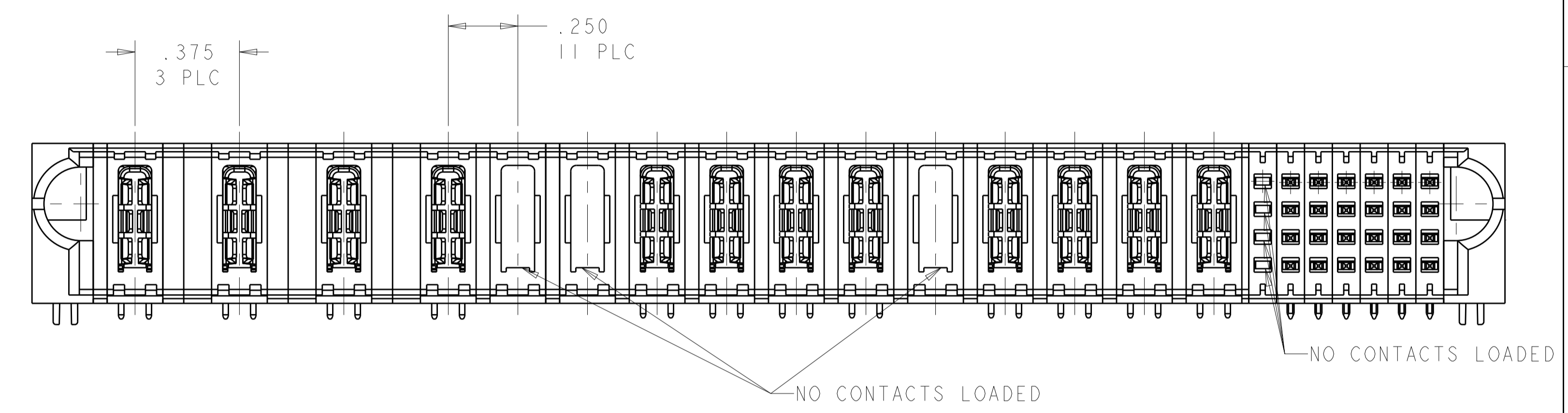
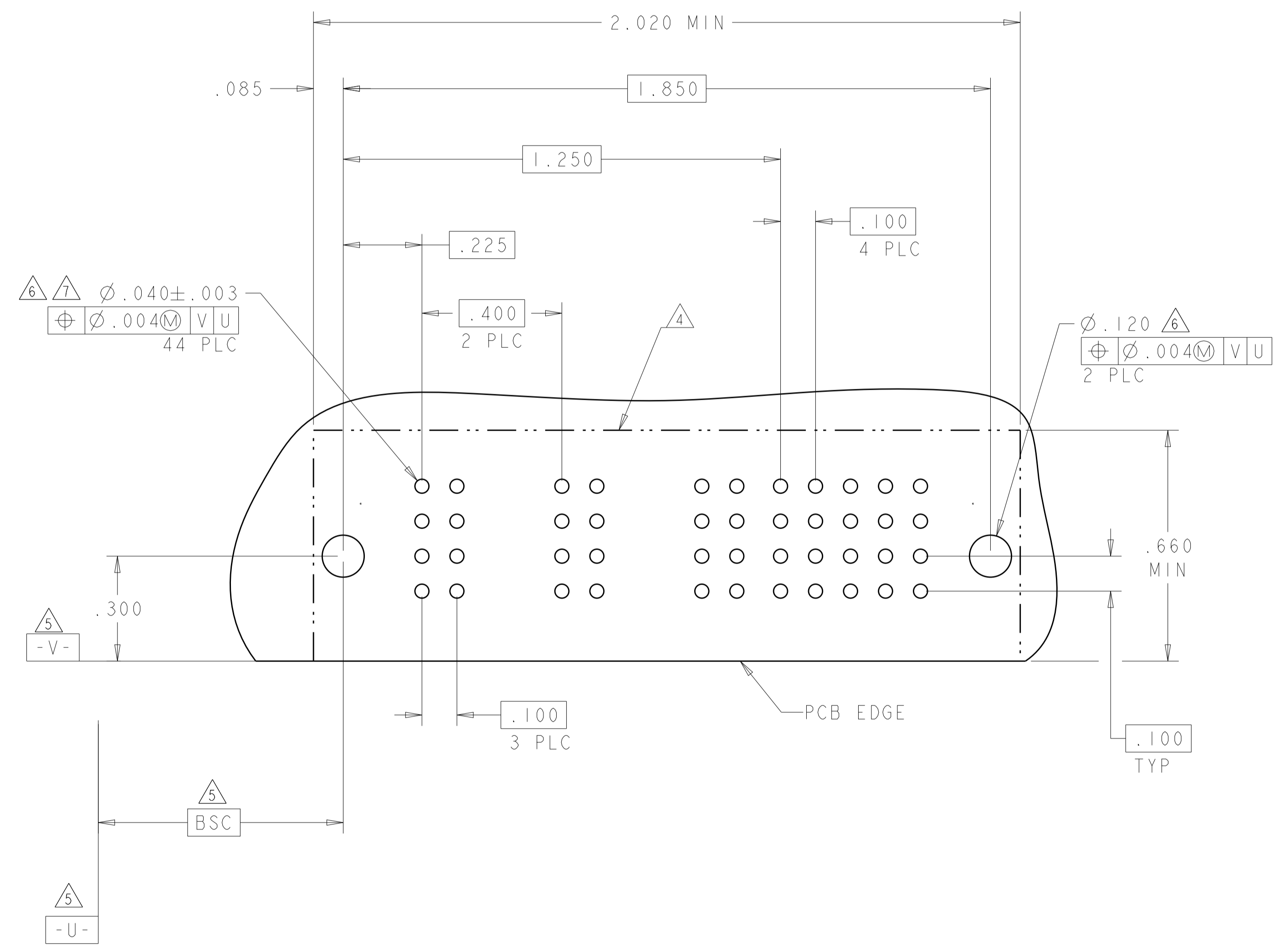
PART NUMBER	ROWS	POWER															SIGNAL										
		P1	P2	P3	P4	P5	P6	P7	P8	P9	P10	P11	P12	P13	P14	P15	1	2	3	4	5	6	7				
3-6450832-6	D	TM	TM	TM	TM	TM	TM	TM	TM	TM	TM	TM	TM	TM	TM	TM	E	E	E	E	E	E	E				
	C																F	F	F	F	F	F	F	F	F	F	
	B																N	N	N	N	N	N	N	N	N	N	N
	A																H	H	H	H	H	H	H	H	H	H	H

15P + 28S

NO CONTACTS LOADED

NO CONTACTS LOADED

NO CONTACTS LOADED

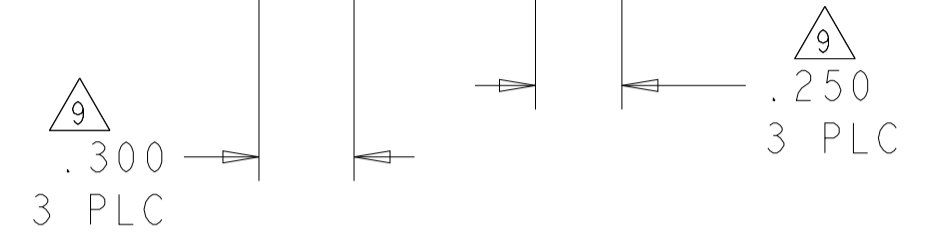


THIS DRAWING IS A CONTROLLED DOCUMENT.

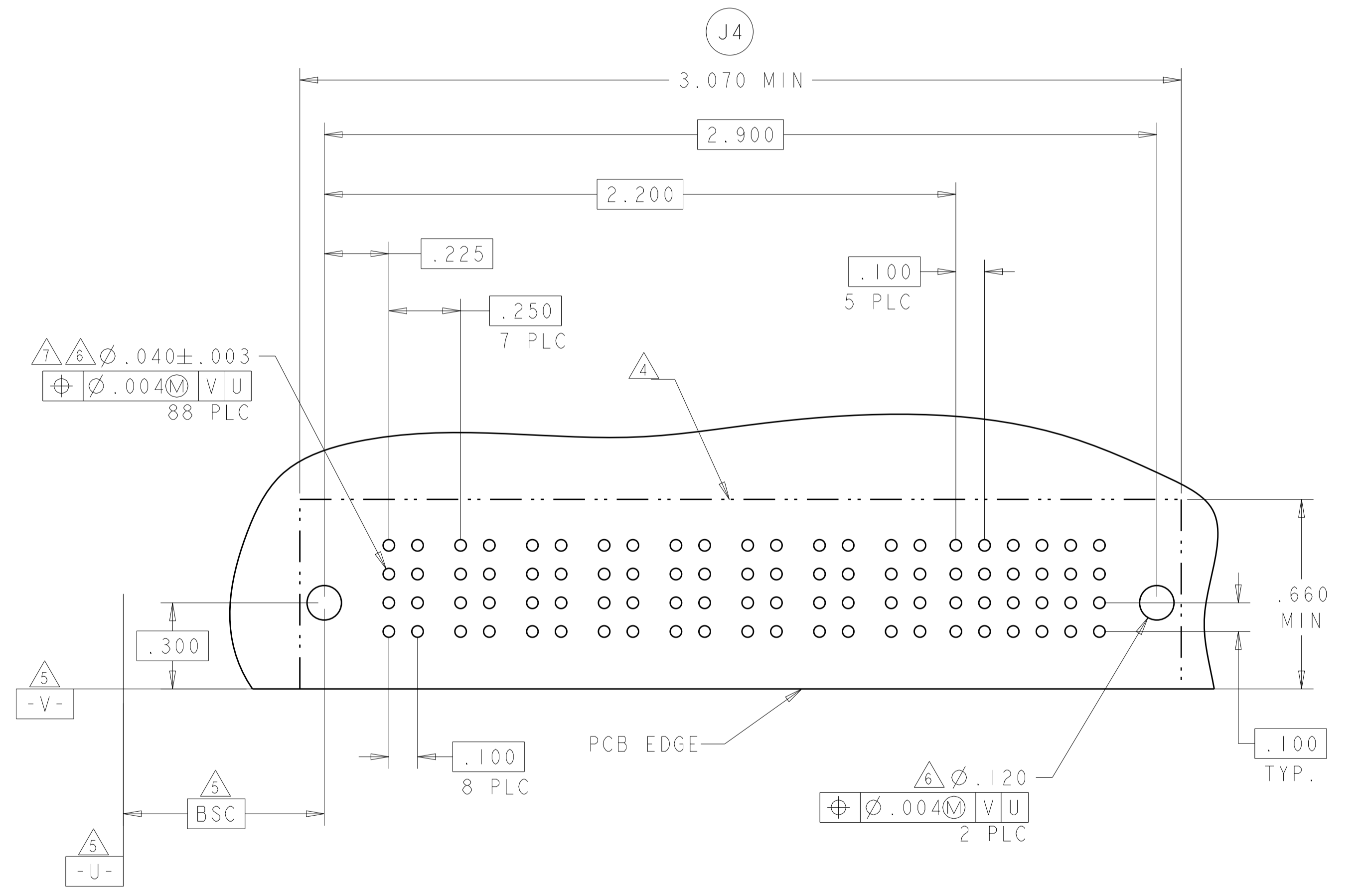
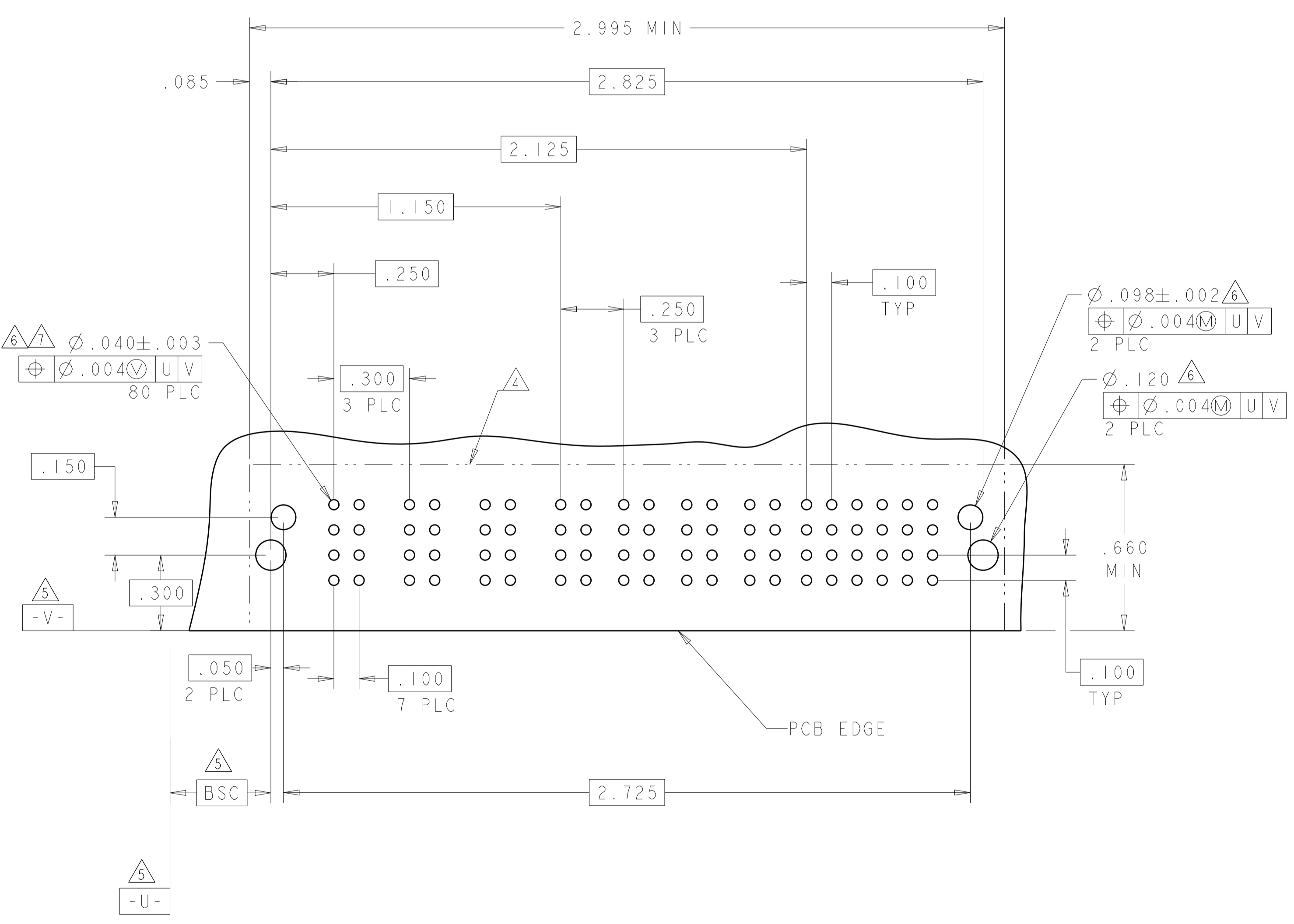
DIMENSIONS:	TOLERANCES UNLESS OTHERWISE SPECIFIED:	DWN: H.LIU 27MAY2008	CHK: S.ZHAO 27MAY2008
INCHES	0 PLC ±.01 1 PLC ±.01 2 PLC ±.01 3 PLC ±.005 4 PLC ±.002	APVD: S.ZHAO	NAME: R/A HEADER WITH SHORT GUIDES AND LP CONTACTS ASSEMBLY MULTI-BEAM XLE
MATERIAL:	FINISH: #7	PRODUCT SPEC: 108-2292	APPLICATION SPEC: 114-13251
		SIZE: A1	CAGE CODE: 6450832
		WEIGHT: -	RESTRICTED TO: -
		CUSTOMER DRAWING	SCALE: 4:1 SHEET 19 OF 24 REV: K6

LOC		DIST		REVISIONS			
REV	DATE	BY	CHK	DESCRIPTION	DATE	BY	APPV
-	-	-	-	SEE SHEET 1	-	-	-

PART NUMBER	ROWS	POWER							SIGNAL					
		P1	P2	P3	P4	P5	P6	P7	1	2	3	4	5	6
3-6450832-8	D C B A	TM	TM	TM	TM	TM	TM	TM	E K N S	E F G H	J F G S	J F G S	J K N H	E F G H
3ACP + 4P + 24S	HD								HD					



PART NUMBER	ROWS	POWER								SIGNAL					
		P1	P2	P3	P4	P5	P6	P7	P8	1	2	3	4	5	6
3-6450832-9	D C B A	TM	TM	TM	TM	TM	TM	TM	TM	J K N S	J K N S	E K G S	J K G S	J K G S	E K G S
8HDP + 24S	HD									HD					



THIS DRAWING IS A CONTROLLED DOCUMENT.		OWN: H. LIU 27MAY2008	STE TE Connectivity
DIMENSIONS: INCHES		CHK: S. ZHAO 27MAY2008	
TOLERANCES UNLESS OTHERWISE SPECIFIED:		APVD: S. ZHAO	NAME: R/A HEADER WITH SHORT GUIDES AND LP CONTACTS ASSEMBLY MULTI-BEAM XLE
0 PLC ± .01		PRODUCT SPEC: 108-2292	
1 PLC ± .01		APPLICATION SPEC: 114-13251	RESTRICTED TO: CUSTOMER DRAWING
2 PLC ± .01		SIZE: A100779 C=6450832	
3 PLC ± .005		SCALE: 4:1	SHEET 20 OF 24
4 PLC ± .002		REVISION: K6	
ANGLES ± .002		REV: K6	

LOC		DIST		REVISIONS				
P	LTN	DESCRIPTION	DATE	DMN	APVD			
-	-	SEE SHEET 1	-	-	-			

PART NUMBER	ROWS	POWER			SIGNAL	
		P1	P2	P3	I	
4-6450832-0	D	TM	TM	TM	J	HD
	C				K	
	B				N	
	A				S	

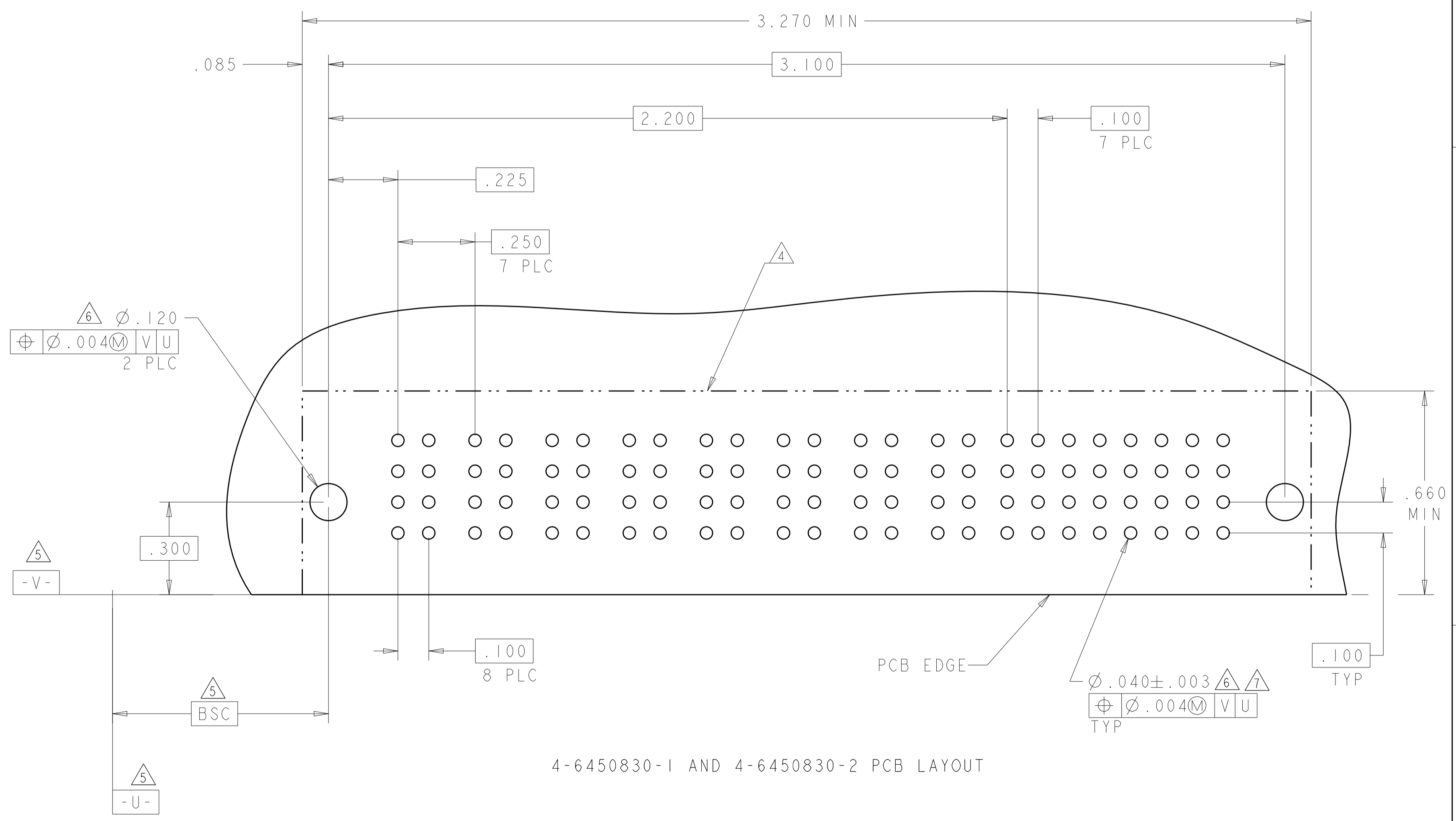
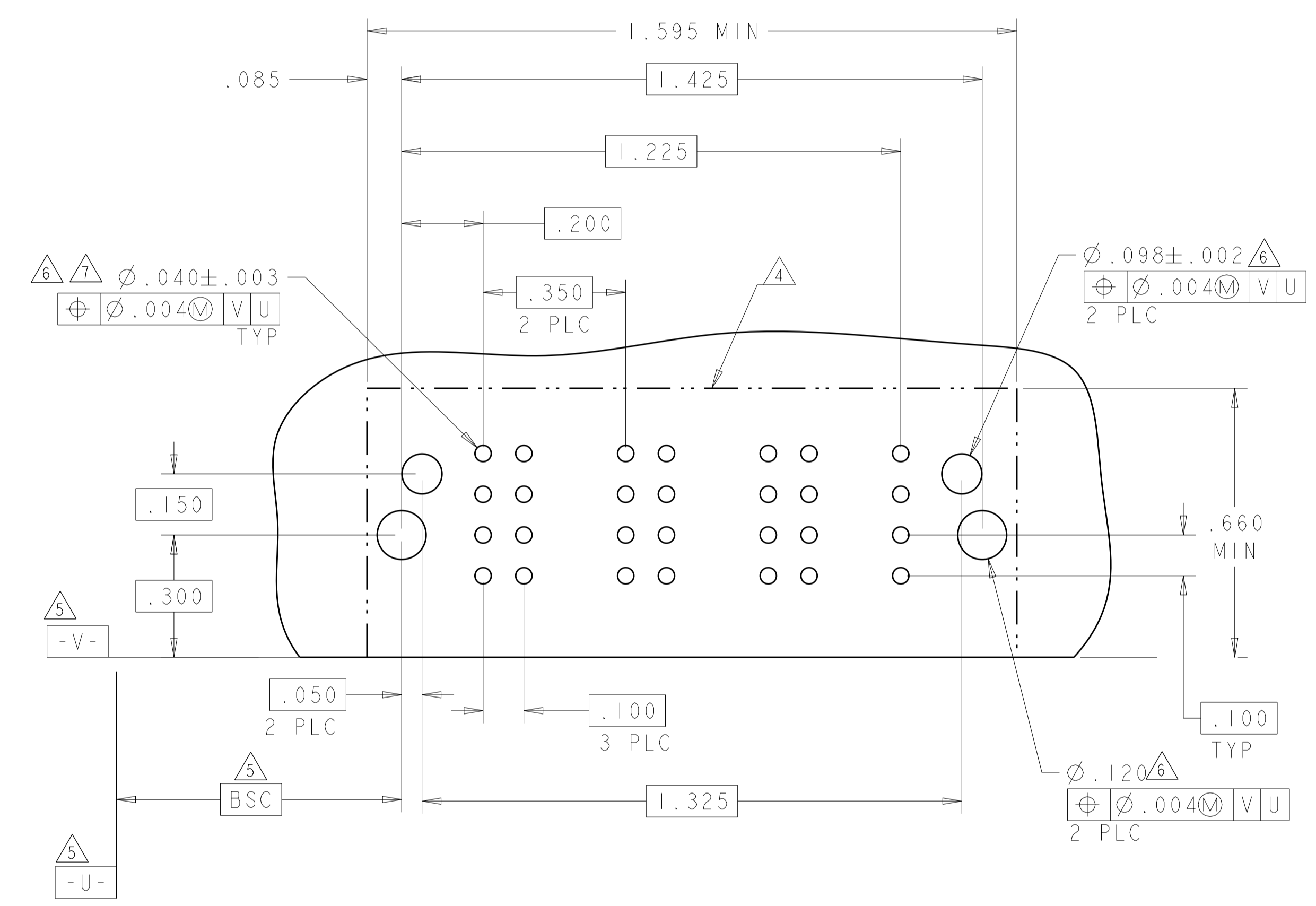
3P + 4S

PART NUMBER	ROWS	POWER								SIGNAL								
		P1	P2	P3	P4	P5	P6	P7	P8	1	2	3	4	5	6	7	8	
4-6450832-1	D	TM	TM	TM	TM	TM	TM	TM	TM	J	J	J	J	J	J	J	J	
	C									K	K	K	K	K	K	K	K	
	B									N	N	N	N	N	N	N	N	N
	A									S	S	S	S	S	S	S	S	S

8P + 32S

PART NUMBER	ROWS	POWER								SIGNAL							
		P1	P2	P3	P4	P5	P6	P7	P8	1	2	3	4	5	6	7	8
4-6450832-2	D	TM	TM	TM	TM	TM	TM	TM	TM	J	J	J	J	J	J	J	J
	C									K	K	K	F	K	K	K	
	B									N	N	N	N	N	N	N	N
	A									S	S	S	S	S	S	S	S

8P + 32S



4-6450830-1 AND 4-6450830-2 PCB LAYOUT

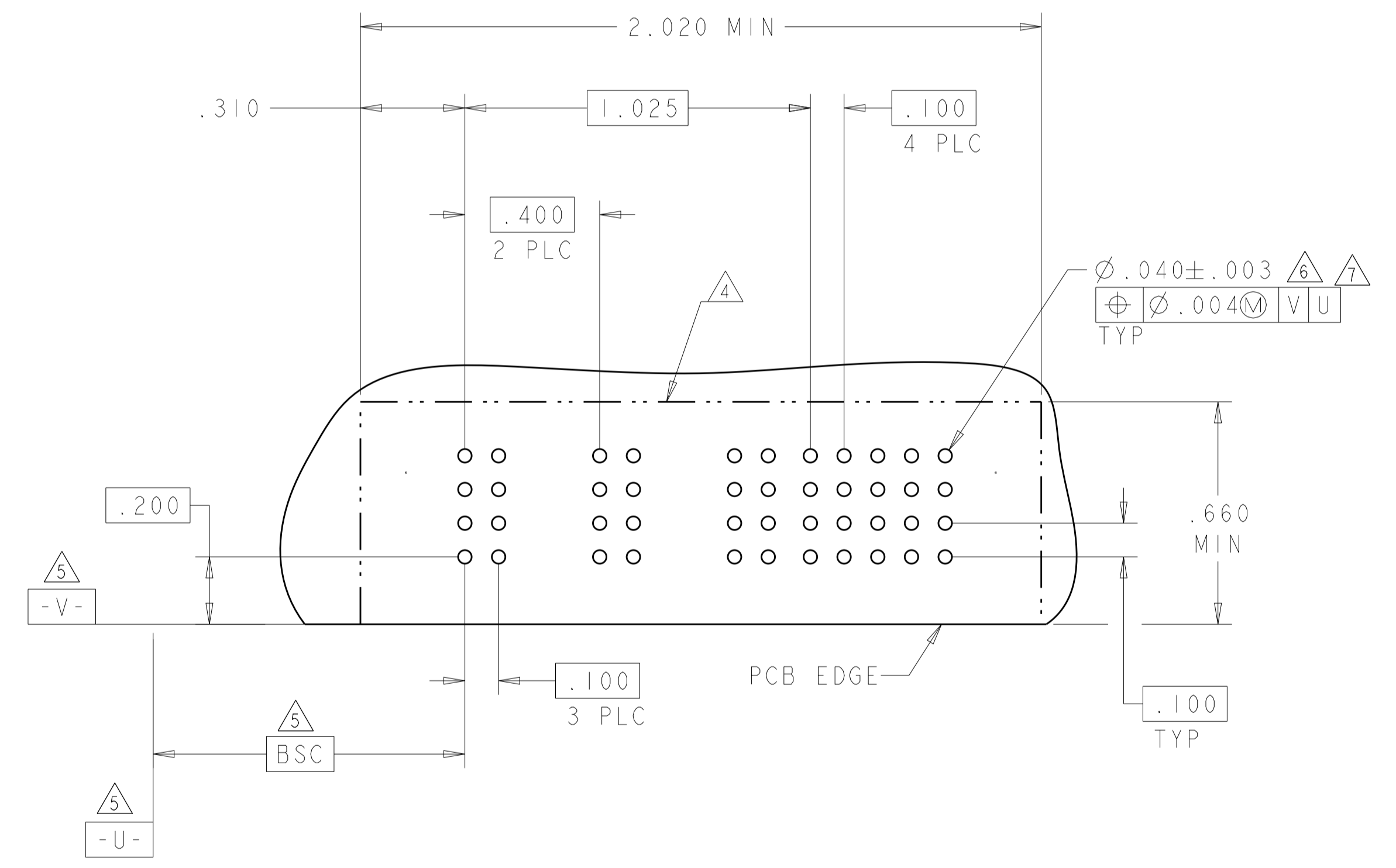
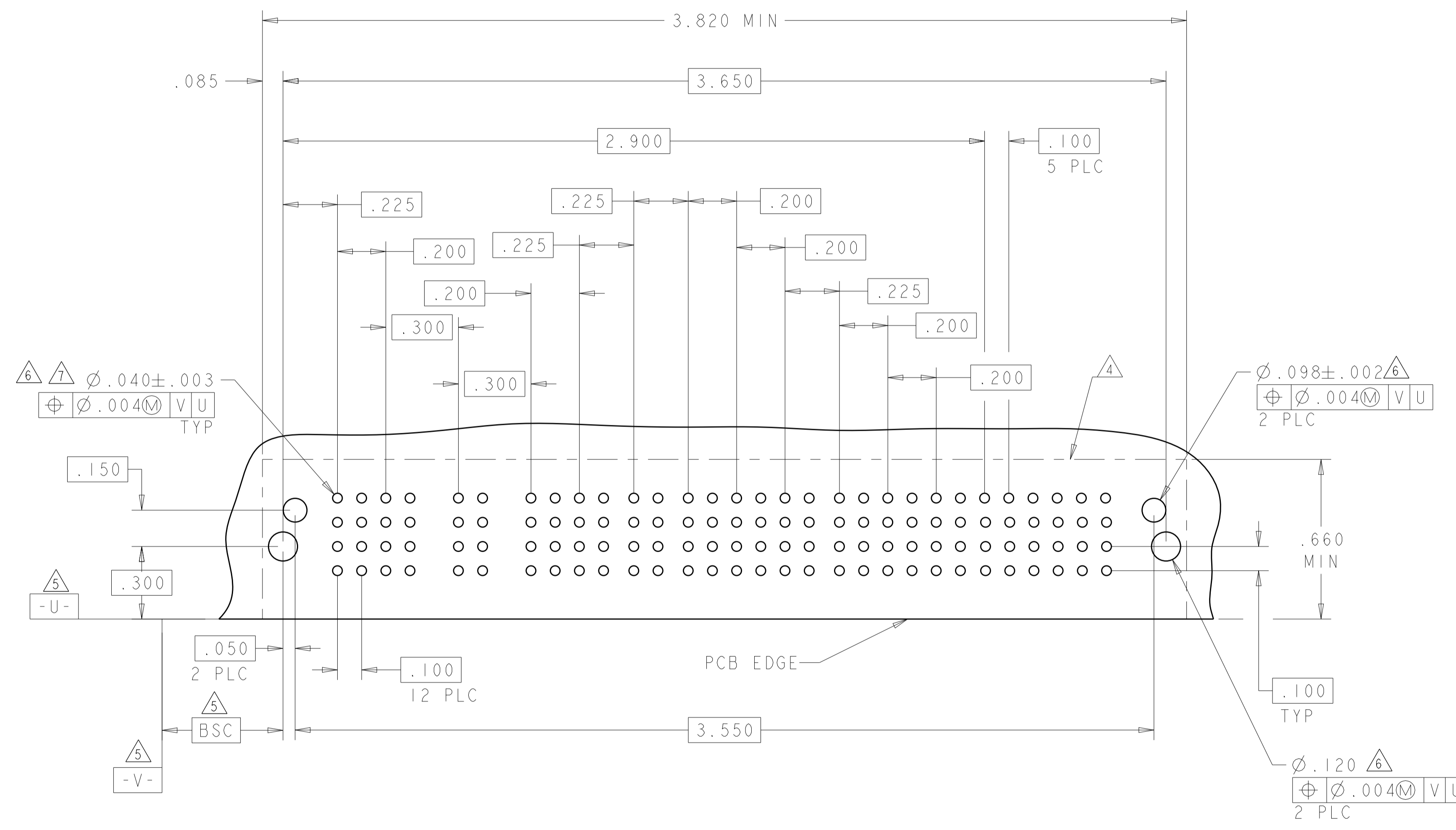
THIS DRAWING IS A CONTROLLED DOCUMENT.		DMN: H.LIU 27MAY2008	TE Connectivity
DIMENSIONS: INCHES		CHK: S.ZHAO 27MAY2008	
TOLERANCES UNLESS OTHERWISE SPECIFIED:		APVD: S.ZHAO	NAME: R/A HEADER WITH SHORT GUIDES AND LP CONTACTS ASSEMBLY
0 PLC ±.01		PRODUCT SPEC	108-2292
2 PLC ±.01		APPLICATION SPEC	114-13251
4 PLC ±.005		WEIGHT	A100779
ANGLES ±.0020		CUSTOMER DRAWING	SCALE 4:1 SHEET 21 OF 24 REV K6
FINISH			

LOC	DIST	REV	DATE	BY	APPV
		1			
		2			

PART NUMBER	ROWS	POWER												SIGNAL						
		P1	P2	P3	P4	P5	P6	P7	P8	P9	P10	P11	P12	1	2	3	4	5	6	
4-6450832-3	D																			
	C																			
	B	TM	TM	TM	TM	TM	TM	TM	TM	TM	TM	TM	TM							
	A	HD																		

PART NUMBER	ROWS	POWER					SIGNAL													
		P1	P2	P3	P4	P5	1	2	3	4	5									
4-6450832-4	D																			
	C																			
	B	TM		TM		TM														
	A	HD																		

NO CONTACTS LOADED

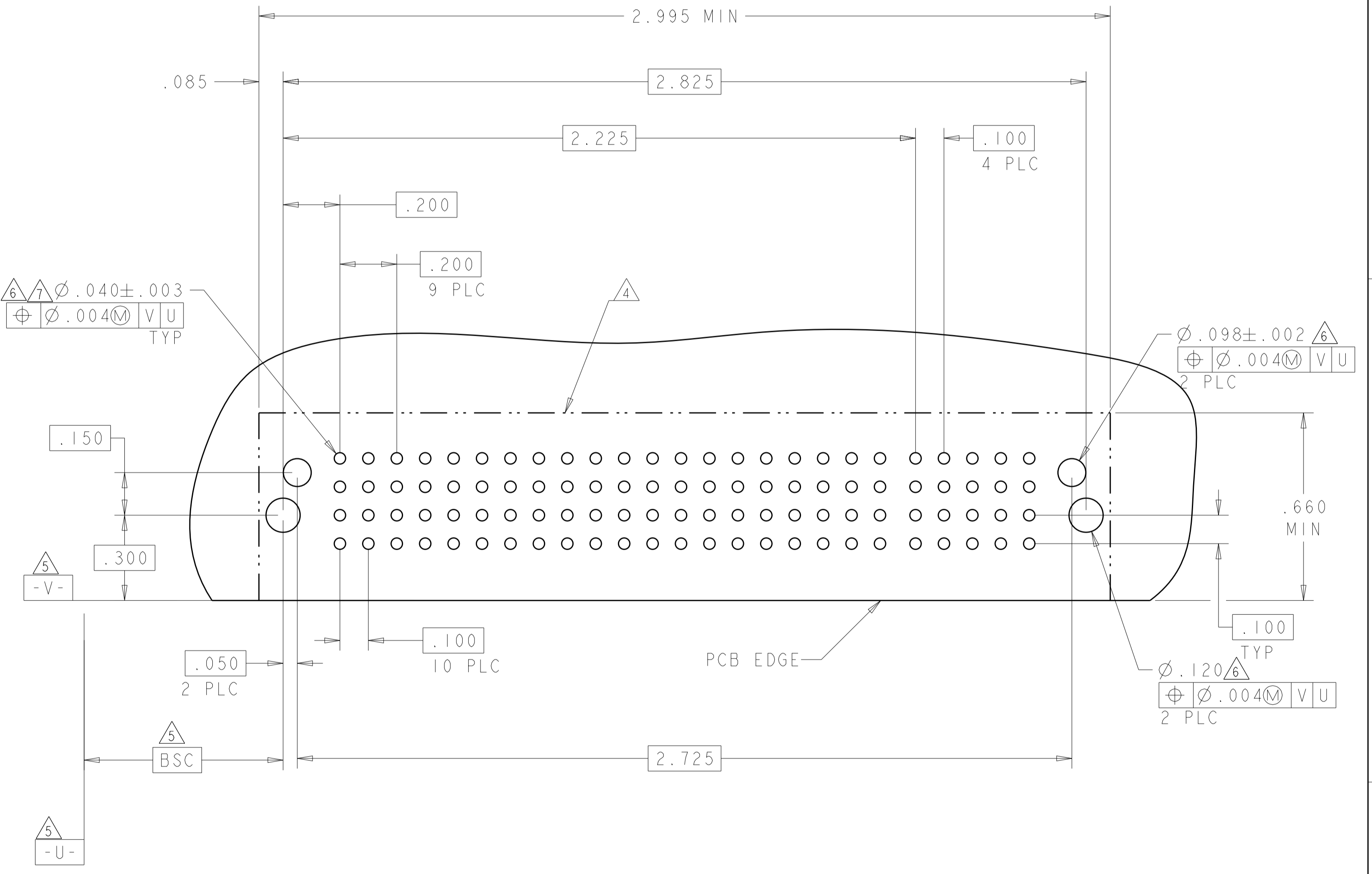
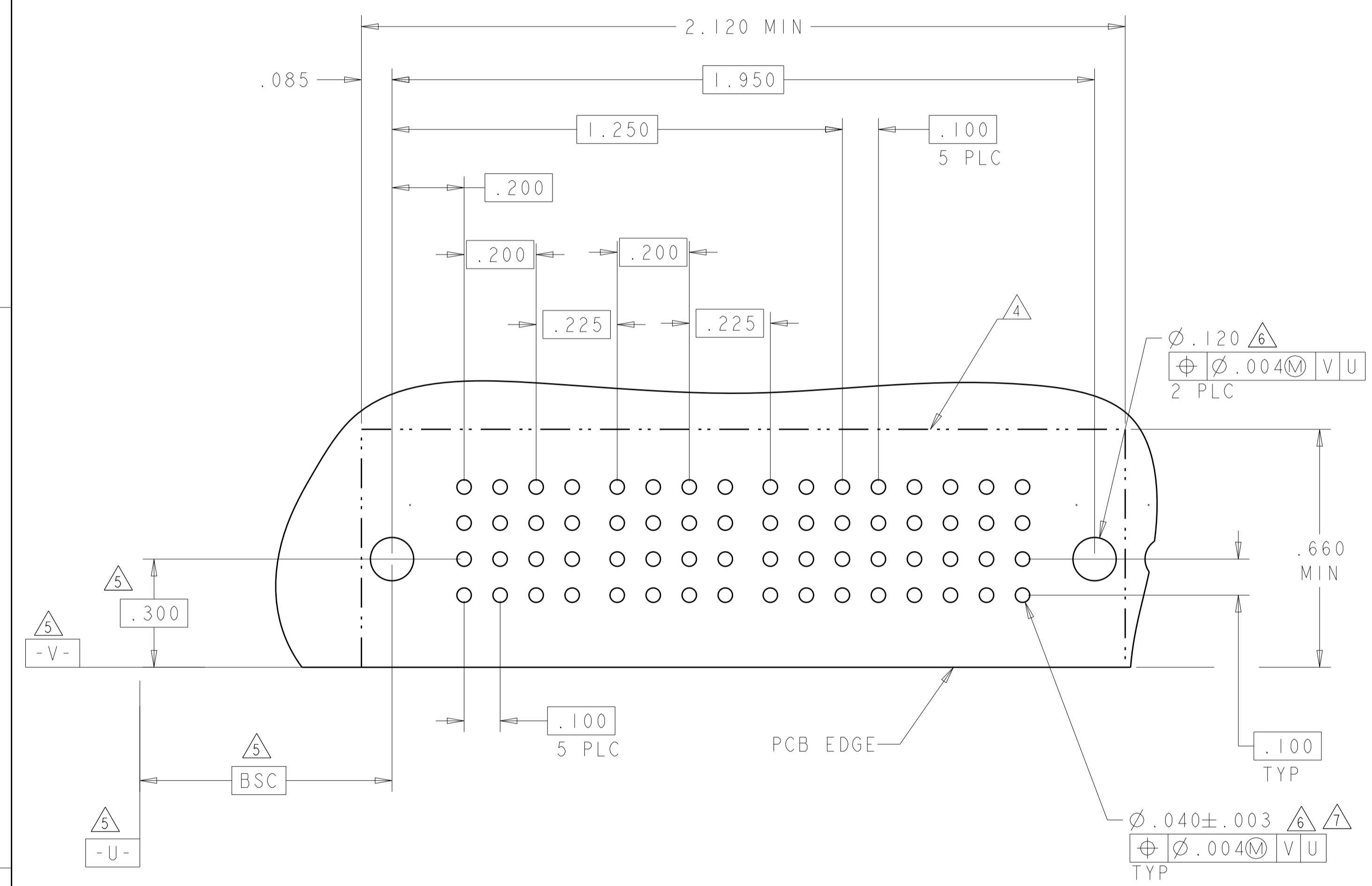


THIS DRAWING IS A CONTROLLED DOCUMENT.		OWN: H.LIU 27MAY2008	TE Connectivity
DIMENSIONS: INCHES		CHK: S.ZHAO 27MAY2008	
TOLERANCES UNLESS OTHERWISE SPECIFIED:		APVD: S.ZHAO	NAME: R/A HEADER WITH SHORT GUIDES AND LP CONTACTS ASSEMBLY MULTI-BEAM XLE
0 PLC ±.01		PRODUCT SPEC: 108-2292	SIZE: A1
1 PLC ±.01		APPLICATION SPEC: 114-13251	CAGE CODE: C=6450832
2 PLC ±.01		WEIGHT: -	RESTRICTED TO: -
3 PLC ±.005		CUSTOMER DRAWING	SCALE: 4:1 SHEET 22 OF 24 REV: K6
4 PLC ±.002			
ANGLES: 0.020			
FINISH: #2			

LOC	DIST	REVISIONS			
P	LTM	DESCRIPTION	DATE	DWN	APVD
-	-	SEE SHEET 1	-	-	-

PART NUMBER	ROWS	POWER					SIGNAL					
		P1	P2	P3	P4	P5	1	2	3	4	5	6
4-6450832-5	D						J	J	J	J	J	J
	C	TM	TM	TM	TM	TM	K	K	K	K	K	K
	B						N	N	N	N	N	N
	A						S	S	S	S	S	S

PART NUMBER	ROWS	POWER										SIGNAL								
		P1	P2	P3	P4	P5	P6	P7	P8	P9	P10	1	2	3	4	5				
4-6450832-6	D															J	J	J	J	E
	C	TM	TM	TM	TM	TM	TM	TM	TM	TM	TM	TM	TM	TM	N	K	K	K	K	F
	B														N	N	N	N	G	
	A														S	S	S	S	H	

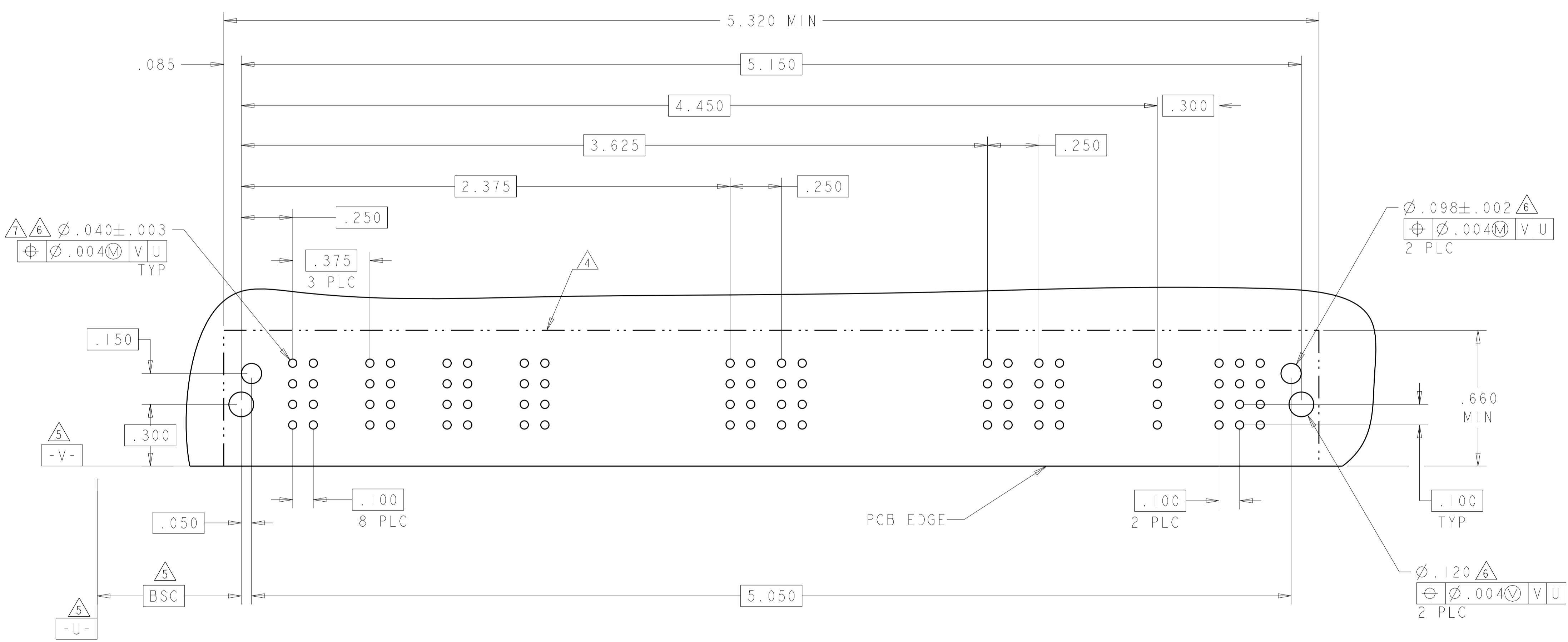
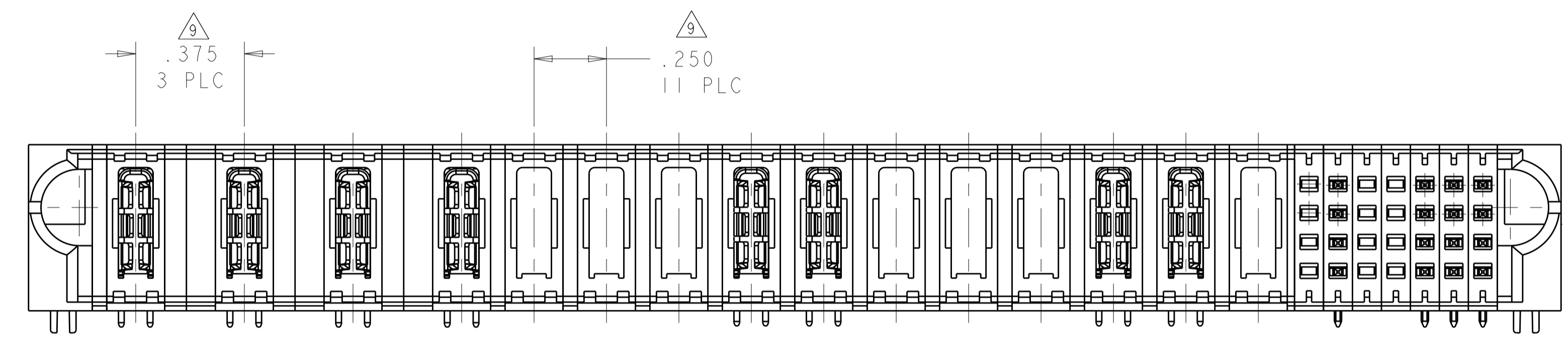


THIS DRAWING IS A CONTROLLED DOCUMENT.		DWN: H. LIU 27MAY2008		TE Connectivity		
DIMENSIONS: INCHES		CHK: S. ZHAO 27MAY2008		NAME: R/A HEADER WITH SHORT GUIDES AND LP CONTACTS ASSEMBLY		
TOLERANCES UNLESS OTHERWISE SPECIFIED: 0 PLC ± 2 PLC ±.01 3 PLC ±.01 4 PLC ±.005 ANGLES ±.0020		APVD: S. ZHAO		PRODUCT SPEC: 108-2292		
MATERIAL		FINISH	APPLICATION SPEC: 114-13251			
WEIGHT		SIZE: A100779		DRAWING NO: C=6450832		
CUSTOMER DRAWING		SCALE: 4:1		SHEET 23 OF 24		

LOC	DIST	REVISIONS					
		P	LTN	DESCRIPTION	DATE	DWN	APVD
		-		SEE SHEET 1			

PART NUMBER	ROWS	POWER															SIGNAL							
		P1	P2	P3	P4	P5	P6	P7	P8	P9	P10	P11	P12	P13	P14	P15	1	2	3	4	5	6	7	
4-6450832-7	D															-	J	-	-	J	J	J		
	C															-	K	-	-	K	K	K		
	B	TM	TM	TM	TM	-	-	-	TM	TM	-	-	-	TM	TM	-	-	G	-	-	G	G	G	
	A															-	H	-	-	H	H	H		
15P + 28S																								

- NO CONTACTS LOADED



THIS DRAWING IS A CONTROLLED DOCUMENT.		DWN H. LIU 27MAY2008	TE Connectivity
DIMENSIONS: INCHES		CHK S. ZHAO 27MAY2008	
TOLERANCES UNLESS OTHERWISE SPECIFIED: 0 PLC ± 1 PLC ±.01 2 PLC ±.01 3 PLC ±.005 4 PLC ±.0020 ANGLES ±.2°		APVD S. ZHAO	NAME R/A HEADER WITH SHORT GUIDES AND LP CONTACTS ASSEMBLY MULTI-BEAM XLE
MATERIAL		PRODUCT SPEC 108-2292	SIZE 114-13251
FINISH		APPLICATION SPEC	RESTRICTED TO
		WEIGHT	A100779C=6450832
		CUSTOMER DRAWING	SCALE 4:1 SHEET 24 OF 24 REV K6