

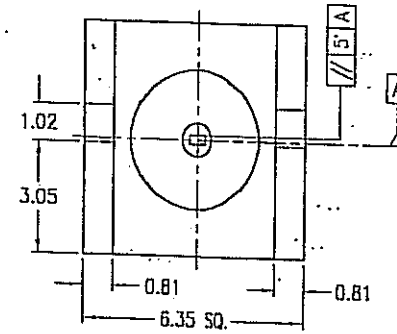
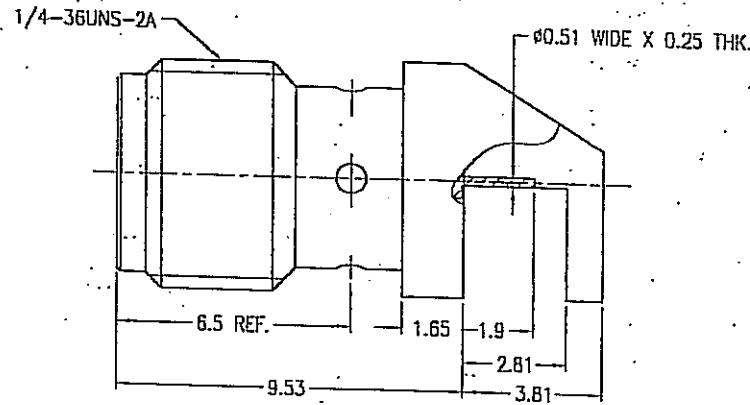
NOTES:

1. MATERIALS AND FINISHES (PLATING THICKNESS IN MICRO-INCHES):
 BODY - BRASS, GOLD PLATING
 CONTACT - BERYLLIUM COPPER, GOLD PLATING
 INSULATOR - PTFE.
2. ELECTRICAL:
 A. IMPEDANCE: 50 OHM
 B. FREQUENCY RANGE: DC 0-12.4 GHz
 C. DIELECTRIC WITHSTANDING VOLTAGE: 1000 VRMS, MIN.
3. MECHANICAL:
 A. DURABILITY: 500 CYCLES MIN.
 B. TEMPERATURE RANGE: -65°C to +165°C

THIRD ANGLE PROJ.

REVISIONS

REV	DESCRIPTION	DATE	ECO	APPR
A	RELEASE TO MFG.	20-May-04		Coase.W
B	INSULATOR AND PIN CHANGED\RD-DMD40604W\06-07-04	07-Jun-04		Coase.W
C	INSULATOR AND PIN CHANGED\RD-DMD40701W\07-01-04	01-Jul-04		Joslen
D	NO.3 WAS CHANGED\RD-DMD002181J\02-25-05	25-Feb-05		Scott.H
E	BODY AND CONTACT PIN WAS CHANGED\RD-DMD7091101H	17-07-07		116712



CUSTOMER OUTLINE DRAWING

ALL OTHER SHEETS ARE FOR INTERNAL USE ONLY

UNLESS OTHERWISE SPECIFIED, DIMENSIONS ARE IN METRIC AND TOLERANCES ARE:
 0.5 - 6mm ±0.1mm
 6 - 30mm ±0.2mm
 30 - 120mm ±0.3mm
 ANGLES ±1°

NOTICE - These drawings, specifications, or other data (1) are, and remain the property of Amphenol Corp. (2) must be returned upon request; and (3) are confidential and not to be disclosed to any person other than those to whom they are given by Amphenol Corp. The furnishing of these drawings, specifications, or other data by Amphenol Corp., or to any other person in any manner, licensing, granting rights or permitting such holder or any other person to manufacture, use or sell any product, process or design, patented or otherwise, that may in any way be related to or disclosed by said drawings, specifications, or other data.

MATERIAL	DRAWN	DATE	TITLE	Amphenol RF Danbury CT USA, Tainan Taiwan, Shenzhen China www.amphenolrf.com
	JOSLEN	20-May-04		
REFERENCE	ENGINEER	DATE	SMA END LAUNCH JACK	DRAWING NO.
	AFSUM	20-May-04		SMAG251A1-058-3GT50G-50
FINISH	APPROVED	DATE	SCALE: 5/1	SHEET → 2 OF 2
	Coase.W	20-May-04	DWG SIZE	CODE 0
	CAD FILE		B	74868
	F:\DWG\SMA\6251A1\05B\50\3GT50G-ESZ			REV E
				ITEM NO. 116251ABW20GE5F
				PART NO. 901-10110