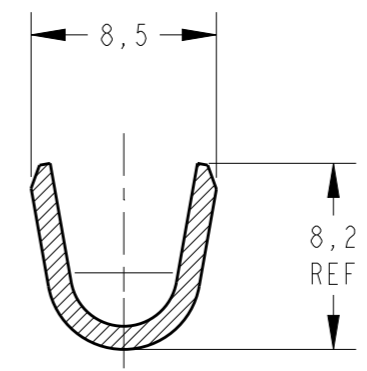
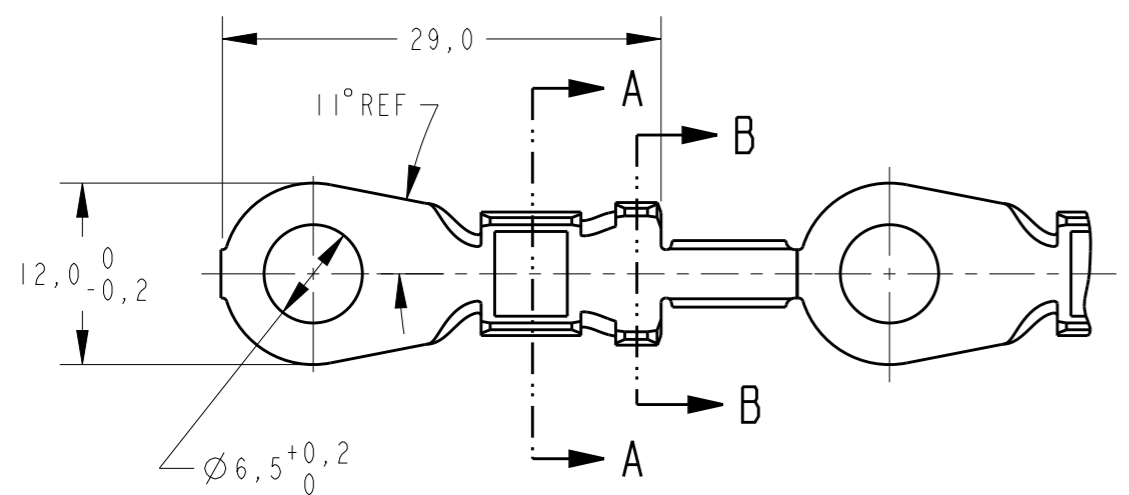


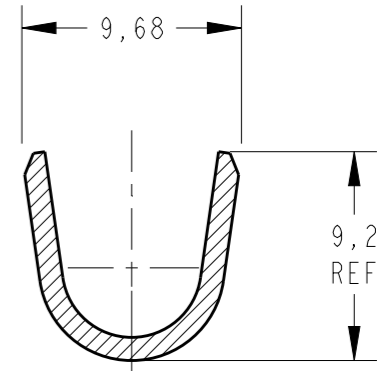
THIS DRAWING IS UNPUBLISHED. RELEASED FOR PUBLICATION 20
 © COPYRIGHT 20 BY - ALL RIGHTS RESERVED.

LOC	DIST	REVISIONS				
P	LTR	DESCRIPTION	DATE	DWN	APVD	
AP	-					
B2		REDRAW BY CAD ECO-14-002488	19FEB2014	NCL	GB	
C		REVISED DRAWING ECO-14-013530	08SEP2014	NCL	LWP	

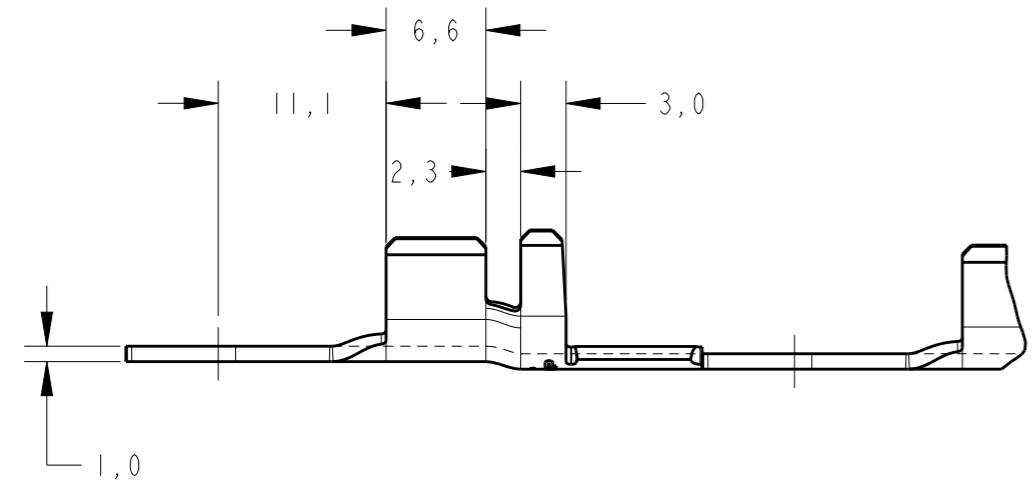
creo
 Creo Parametric 2.0
**DO NOT REUSE
 EXCEPT BY CAD**



SECTION A-A
 SCALE 3:1



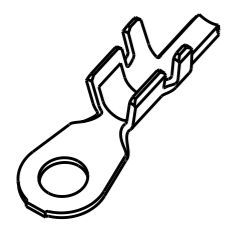
SECTION B-B
 SCALE 3:1



1 - BOBINAR COM PAPEL INTERCALADO
 - REELING WITH PAPER INTERLEAVE

2 - OBSOLETE PARTS: OBSOLETE CIS STREAMLINING PER D.RENAUD/D.SINISI

2 OBSOLETE	INSUL RANGE	WIRE RANGE	FINISH	MATERIAL	PART NO
Ø 4,6 - 6,6mm	6,0 - 10,0mm²	ESTANHADO / TIN PLATED	LATÃO / BRASS	881016-3	1
Ø 4,6 - 6,6mm	6,0 - 10,0mm ²	ESTANHADO / TIN PLATED	LATÃO / BRASS	881016-2	
Ø 4,6 - 6,6mm	6,0 - 10,0mm ²	—	LATÃO / BRASS	881016-1	



PERSPECTIVE VIEW
 SCALE 1:1

THIS DRAWING IS A CONTROLLED DOCUMENT.		DWN 20FEB2014 NCLAPRESA	TE Connectivity		
DIMENSIONS: mm		CHK 20FEB2014 JRGOLDSCHMIDT			
TOLERANCES UNLESS OTHERWISE SPECIFIED:		APVD 20FEB2014 DAOLIVEIRA	NAME - RING TONGUE		
0 PLC ±-	1 PLC ±0,3	PRODUCT SPEC	SIZE CAGE CODE DRAWING NO RESTRICTED TO		
2 PLC ±-	3 PLC ±-	APPLICATION SPEC	A3 00779 C-881016 -		
4 PLC ±-	ANGLES ±1°	FINISH	WEIGHT -		
MATERIAL SEE TABLE	FINISH SEE TABLE	Customer Drawing	SCALE 3:1 SHEET 1 OF 1 REV C		