

06025VE Potting II

DC Axial Fan

60[□]X25^L

DC FAN

General purpose

Industrial

Server

Refrigerator

Blower



General Specifications

- Motor Protection : Auto Restart / Polarity Protection
- Insulation Resistance : 10MΩ or over with a DC500V Megger
- Dielectric Withstand Voltage : AC700V 1s
- Allowable Ambient Temperature Range : - 10°C ~ +70°C (Operating)
- 40°C ~ + 70°C (Storage)
non-condensing environment
- IP Code : IP68

Outline

Expected Life

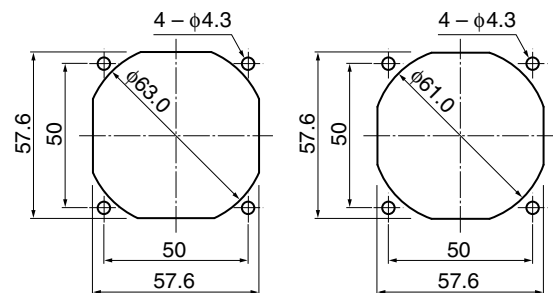
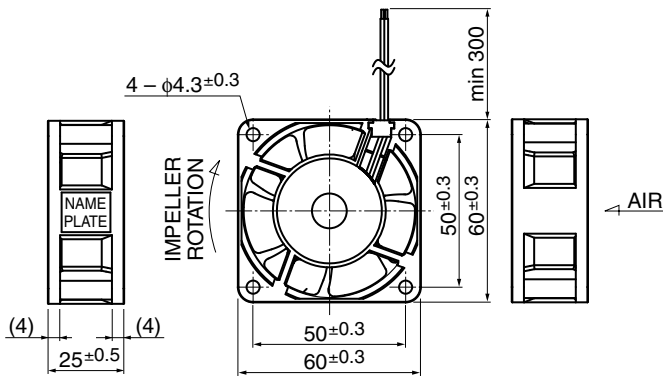
※ Failure Rate: 10% (L10 Life)

60°C 40,000 (Hours)

Panel Out-cuts

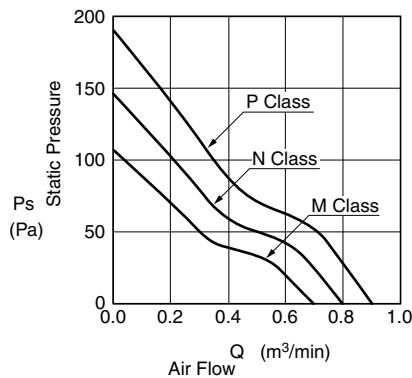
(Inlet Side)

(Outlet Side)



* Outline is C (Rib) type.

Characteristic Curves



Material

- Casing : Plastic (Black) UL94V-0
- Impeller : Plastic (Black) UL94V-0
- Bearing : Ball Bearing
- Lead Wire : UL3385 AWG26 + : Red, - : Black

Specifications

□ = Casing Form --- C: Rib Type, G: Flange Type

Model	Product No.	Rating Voltage	Operating Voltage	Current	Input Power	Speed	Max. Air Flow	Max. Static Pressure	Noise	Mass
		(V)	(V)	(A) ^{*1}	(W) ^{*1}	(min ⁻¹) ^{*1}	(m ³ /min) ^{*1}	(Pa) ^{*1}	(In H ₂ O) ^{*1}	(dB) ^{*1}
06025VE-12M-□AD-	0	12	7 ~ 13.2	0.15	1.80	6000	0.68	107.0	42.0	90
06025VE-12N-□AD-	0			0.22	2.64	7000	0.79	145.7	46.0	
06025VE-12P-□AD-	0			0.40	4.80	8000	0.90	190.3	49.0	
06025VE-24M-□AD-	0	24	10.0 ~ 27.6	0.10	2.40	6000	0.68	107.0	42.0	
06025VE-24N-□AD-	0			0.14	3.36	7000	0.79	145.7	46.0	
06025VE-24P-□AD-	0			0.19	4.56	8000	0.90	190.3	49.0	

Rotation: Clockwise as seen from the spoke side
Airflow Outlet: Spoke side

*1: Average Values in Free Air