

4

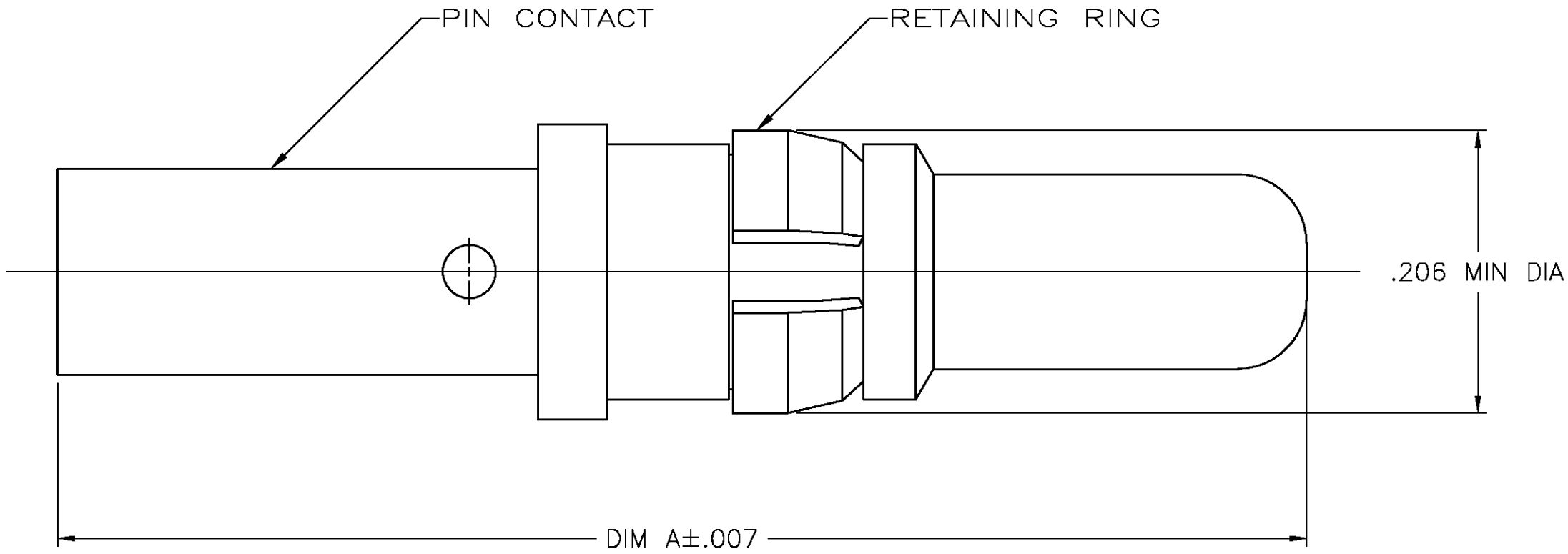
3

2

1

THIS DRAWING IS UNPUBLISHED. RELEASED FOR PUBLICATION
 © COPYRIGHT BY TYCO ELECTRONICS CORPORATION. ALL RIGHTS RESERVED.

| LOC | DIST | REVISIONS | | | | |
|-----|------|-------------|--------------------------|---------|------|----|
| P | LTR | DESCRIPTION | DATE | DWN | APVD | |
| FT | 0 | E | REVISED PER 0G3B-0280-05 | 3/16/05 | SS | GS |



| | |
|-------|-------------|
| .950 | 213662-2 |
| .910 | 213662-1 |
| DIM A | PART NUMBER |

- 1. WIRE BARREL WILL ACCEPT 12-14 AWG WIRE.
- 2. PIN CONTACT: BRASS.
- RING RETAINING: PHOSPHOR BRONZE.
- 3. 0.76 μm [.000030] MIN GOLD OVER
- 1.27 μm [.000050] MIN NICKEL.
- 4. 1.27 μm [.000050] MIN NICKEL.

| | | | | |
|--------------------------------------------------------------------------------------------------------------------------|--|-----------------------------------------------|-----------------------------------------------------------|-----------------------|
| THIS DRAWING IS A CONTROLLED DOCUMENT. | | DWN C DORWART 03/19/91 | Tyco Electronics Corporation Harrisburg, Pa 17105-3608 | |
| DIMENSIONS: INCHES | | CHK J McCLINTON 3-25-91 | | |
| TOLERANCES UNLESS OTHERWISE SPECIFIED: 0 PLC ± - 1 PLC ± - 2 PLC ± - 3 PLC ± .005 4 PLC ± - ANGLES ± - | | APVD A TRAVIS 3-25-91 | NAME PIN CONTACT ASSEMBLY, POWER VIII, METRIMATE | |
| MATERIAL - 2 | | FINISH PIN CONTACT: 3 RING RETAINING: 4 | PRODUCT SPEC - | APPLICATION SPEC - |
| | | WEIGHT - | SIZE A3 | CAGE CODE 00779 |
| | | | DRAWING NO C-213662 | RESTRICTED TO - |
| | | CUSTOMER DRAWING | | SCALE 10:1 |
| | | | | SHEET 1 OF 1 |
| | | | | REV E |