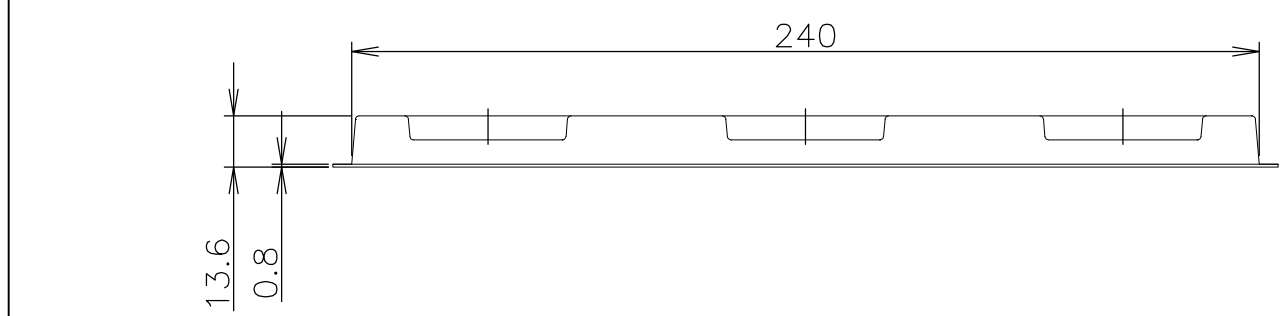
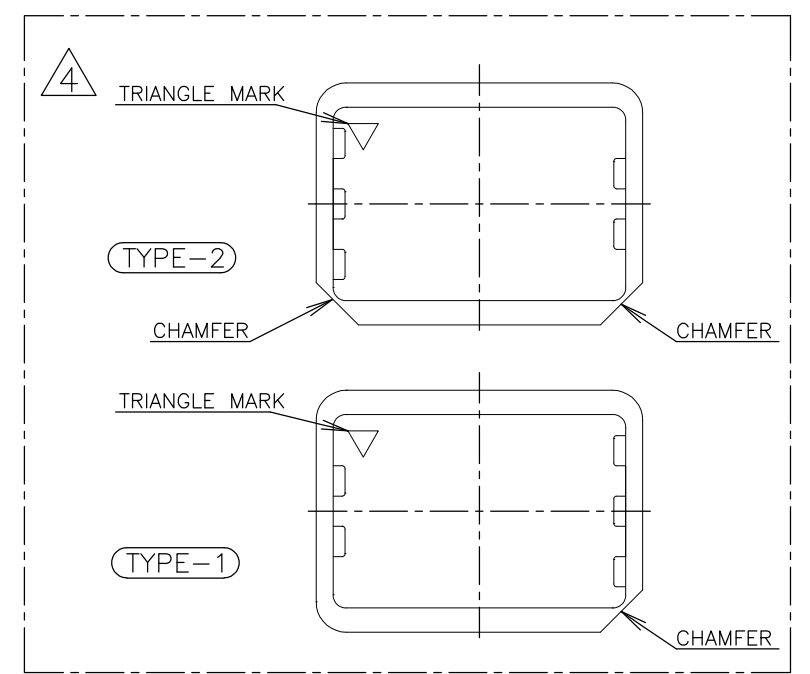
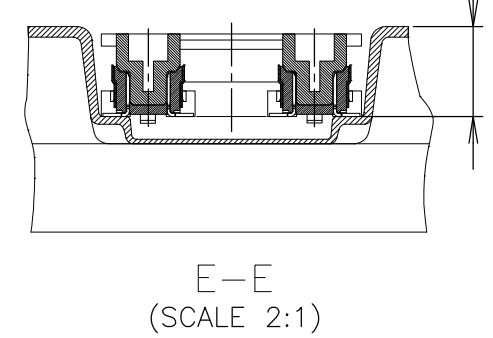
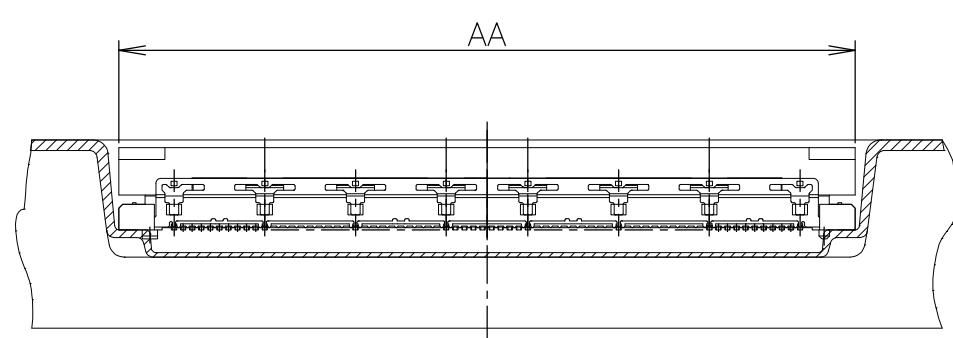
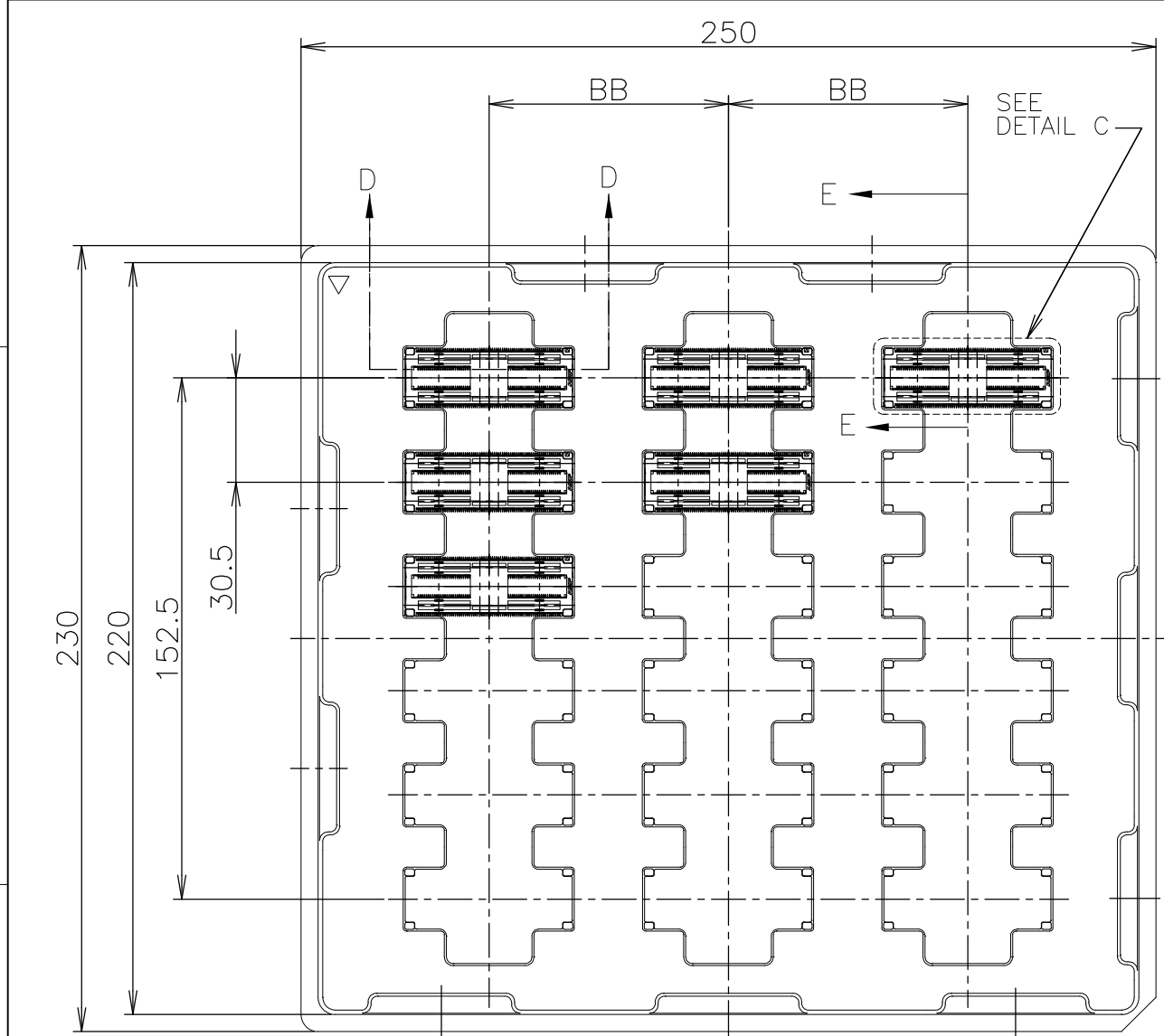
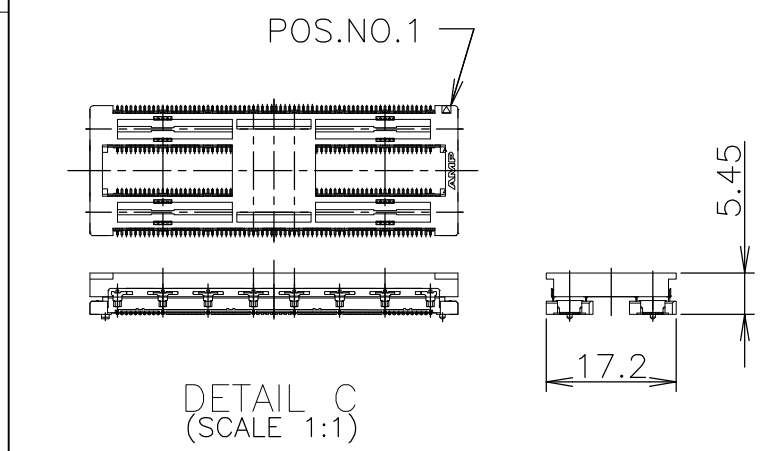


THIS DRAWING IS UNPUBLISHED. RELEASED FOR PUBLICATION DEC ,1996.
 © COPYRIGHT 1996 BY TYCO ELECTRONICS CORPORATION. ALL RIGHTS RESERVED.

LOC J	DIST	REVISIONS 変更			DATE	DWN	APVD
		P	LTR	DESCRIPTION			
			A	REVISED ECR-08-000339	01FEB08	T.T	T.F



SEALANT	NOT AVAILABLE	3	18	70	54.7	320	6-5353720-1
	AVAILABLE	↑	↑	↑	48.7	280	6- ↑ -0
	NOT AVAILABLE	↓	↓	↓	42.7	240	5- ↓ -9
	NOT AVAILABLE	3	18	70	36.7	200	5-5353720-8
NON SEALANT	NOT AVAILABLE	3	18	70	54.7	320	1-5353720-1
	AVAILABLE	↑	↑	↑	48.7	280	1- ↑ -0
	NOT AVAILABLE	↓	↓	↓	42.7	240	↓ -9
	NOT AVAILABLE	3	18	70	36.7	200	5353720-8
SEALANT	TOOLING STATUS	ROW	QTY	BB	AA	POS.	PART NO.

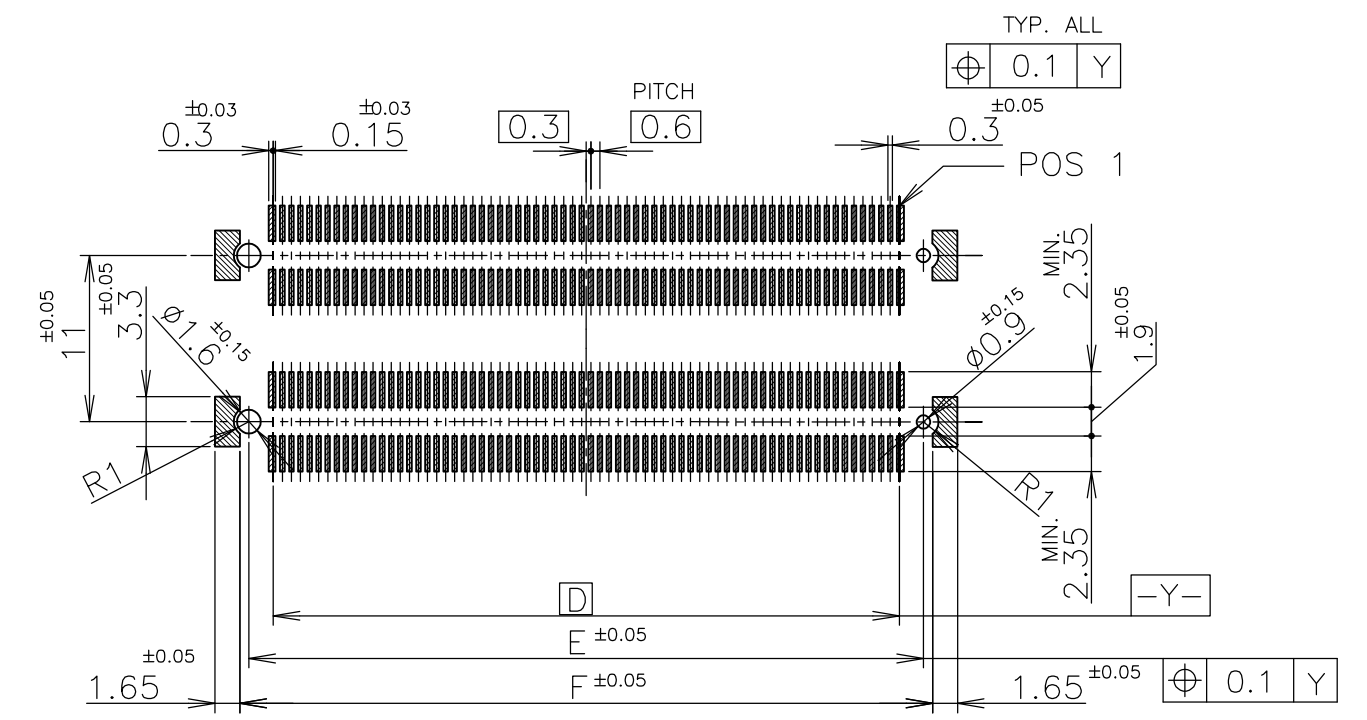
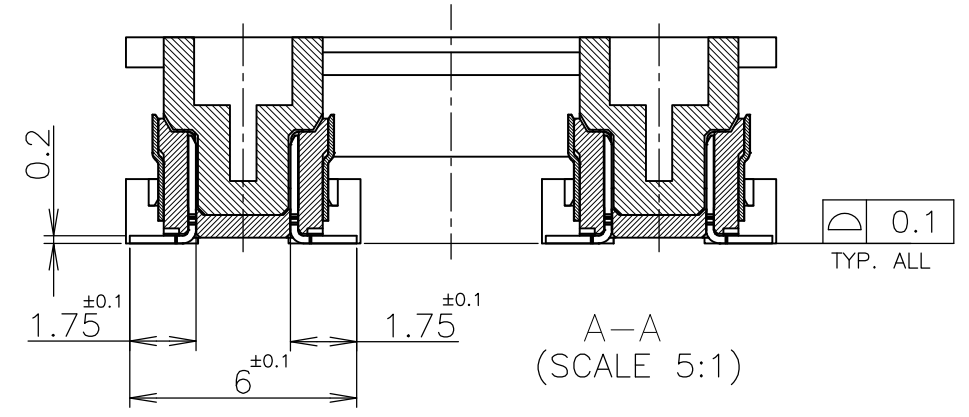
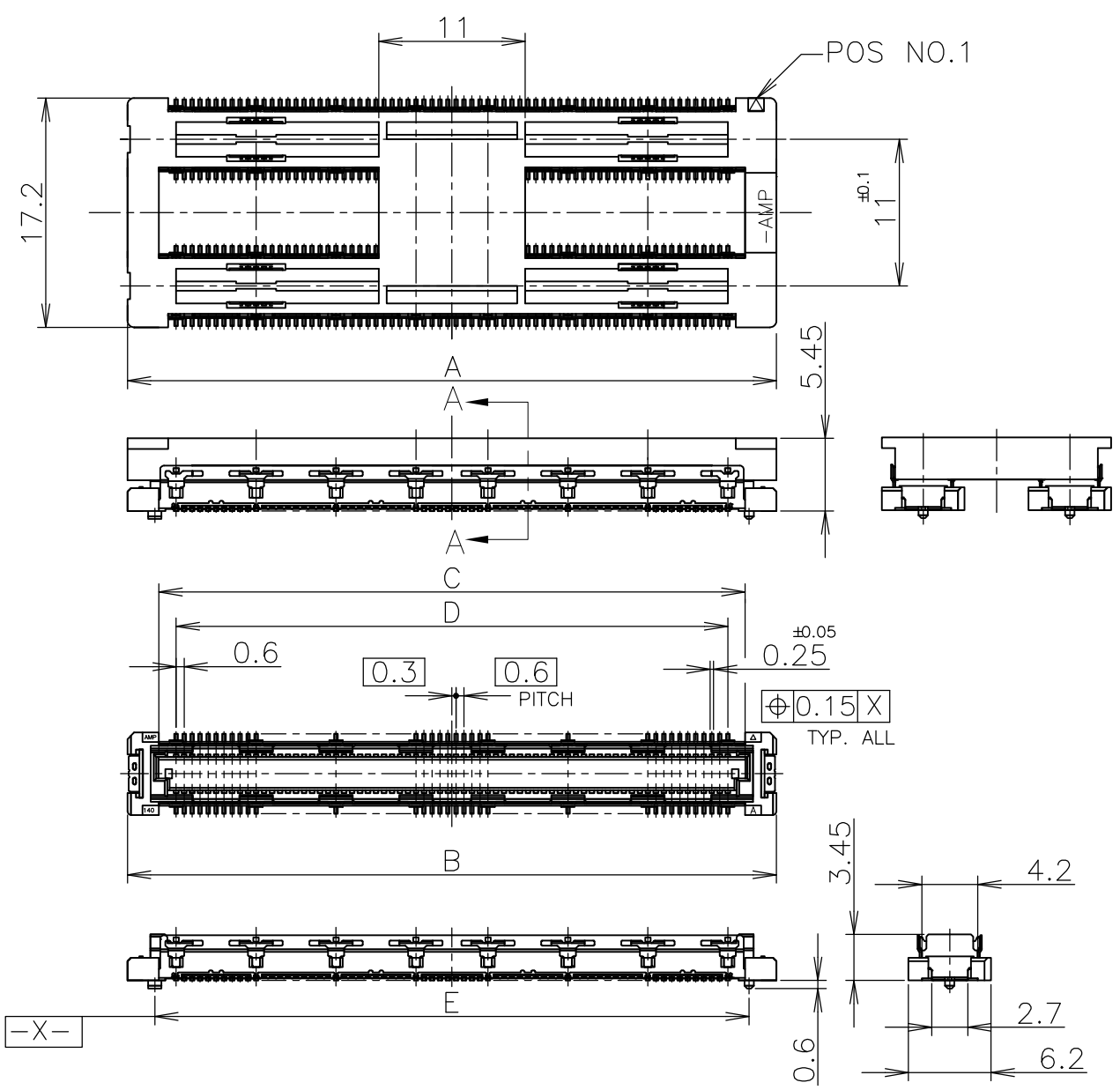


GENERAL TOLERANCE
 一般公差
 10 ≥ ±0.2
 30 ≥ >10: ±0.25
 100 ≥ >30: ±0.3
 ANGLES: ±3°

THIS DRAWING IS A CONTROLLED DOCUMENT.

DWN LEO ZHOU 16NOV04	Tyco Electronics Corporation Kawasaki, Japan			
CHK STEVEN YAO 16NOV04				
APVD I.ENOMOTO 16NOV04				
NAME 名称 SOFT TRAY ASSY FH 0.6BTB CONNECTOR PLUG 4H W/G-PLATE 2ROW TYPE				
PRODUCT SPEC 製品規格 108-60047	SIZE A3	CAGE CODE 00779	DRAWING NO 番号 G-5353720	RESTRICTED TO
APPLICATION SPEC 取付適用規格 114-5255	SCALE 尺度 1:2	SHEET 1 OF 3	REV A	
WEIGHT	CUSTOMER DRAWING			

LOC	DIST	REVISIONS			DATE	DWN	APVD
J		P	LTR	変更 DESCRIPTION			
				SEE SHEET 1	-	-	-



REFERENCE P.C.BOARD LAYOUT

- ① MATERIAL ; HOUSING : HIGH TEMP THERMO PLASTIC UL94V-0
CONTACT : COPPER ALLOY
- ② FINISH ; UNDER PL Ni 0.0013mm MIN ALL OVER.
CONTACT AREA 0.0002 MIN Au PL.
SOLDERING AREA 0.001 MIN TIN PL.
- ③ THIS POSITION IS GROUND CIRCUIT.
- ④ TRAY TYPE-1 AND TYPE-2 MUST BE PAILED UP BY TURNS.
(REFER TO PACKING SPECIFICATIONS)

NOT AVAILABLE	51.8	50.6	47.4	50	54.7	54.7	320	1-5353720-1 & 6-5353720-1
AVAILABLE	45.8	44.6	41.4	44	48.7	48.7	280	1- -0 & 6- -0
NOT AVAILABLE	39.8	38.6	35.4	38	42.7	42.7	240	-9 & 5- -9
AVAILABLE	33.8	32.6	29.4	32	36.7	36.7	200	5353720-8 & 5-5353720-8
TOOLING STATUS	F	E	D	C	B	A	POS	PART NO.

THIS DRAWING IS A CONTROLLED DOCUMENT.

DIMENSIONS: 単位: 耗 mm		TOLERANCES UNLESS OTHERWISE SPECIFIED: 一般公差		DWN	Tyco Electronics Tyco Electronics Corporation Kawasaki, Japan	
TOLERANCES UNLESS OTHERWISE SPECIFIED: 一般公差		0 PLC ± -		CHK	NAME 名称	
1 PLC ± -		1 PLC ± -		APVD	PRODUCT SPEC 製品規格	
2 PLC ± -		2 PLC ± -		APPLICATION SPEC 取付適用規格		
3 PLC ± -		3 PLC ± -		SIZE CAGE CODE DRAWING NO 番号 RESTRICTED TO		
4 PLC ± -		4 PLC ± -		A3 00779 G-5353720		
ANGLES ± -		FINISH 仕上		SCALE 尺度 2:1 SHEET 2 OF 3 REV A		
MATERIAL 材料		FINISH 仕上		CUSTOMER DRAWING		

4

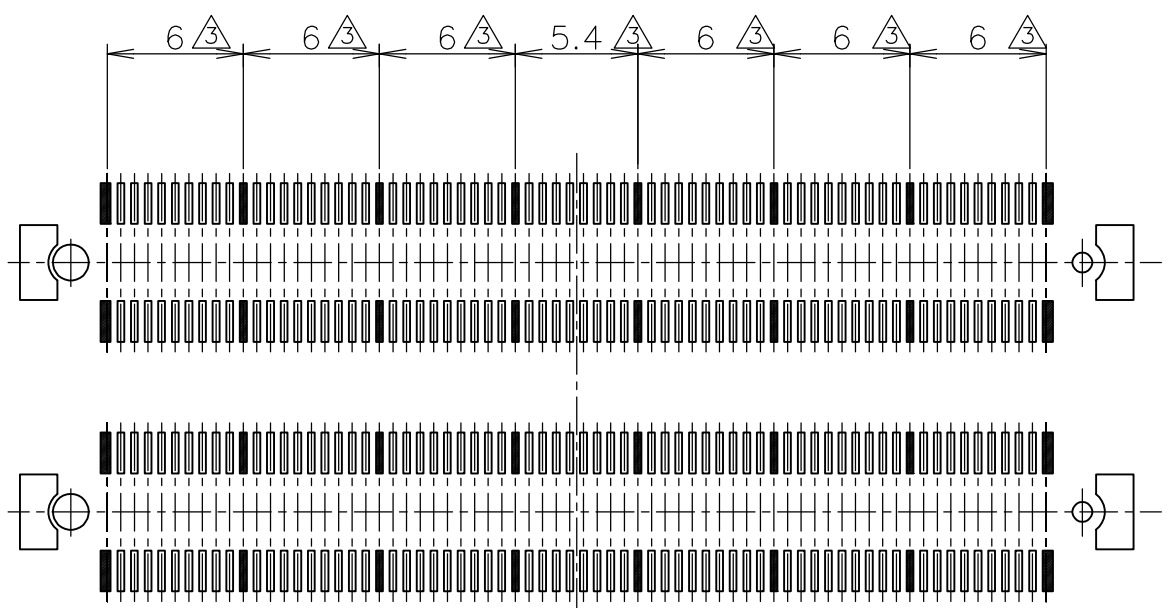
3

2

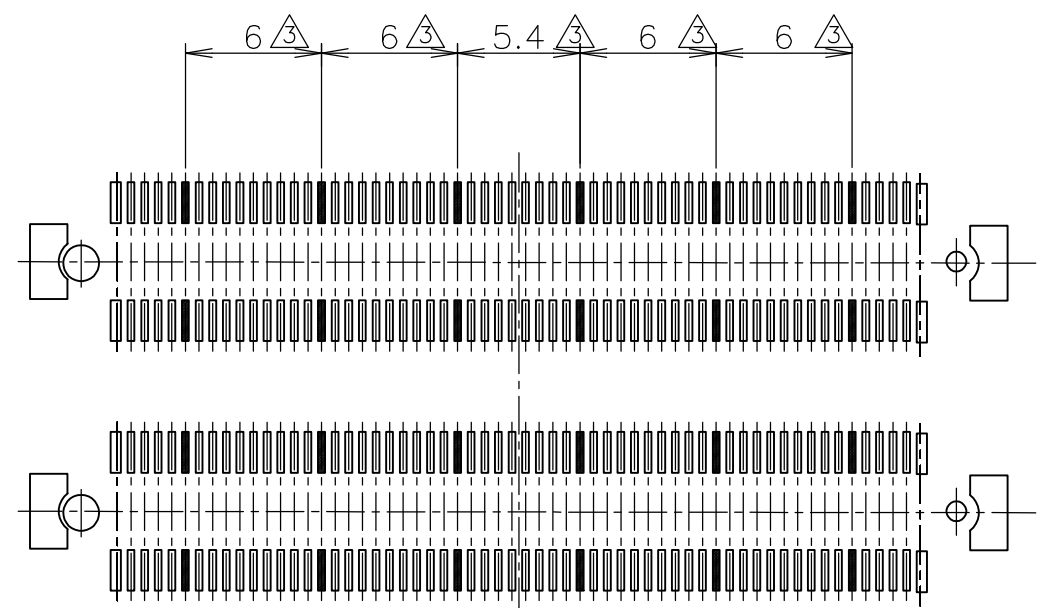
1

THIS DRAWING IS UNPUBLISHED. RELEASED FOR PUBLICATION DEC ,1996.
 © COPYRIGHT 1996 BY TYCO ELECTRONICS CORPORATION. ALL RIGHTS RESERVED.

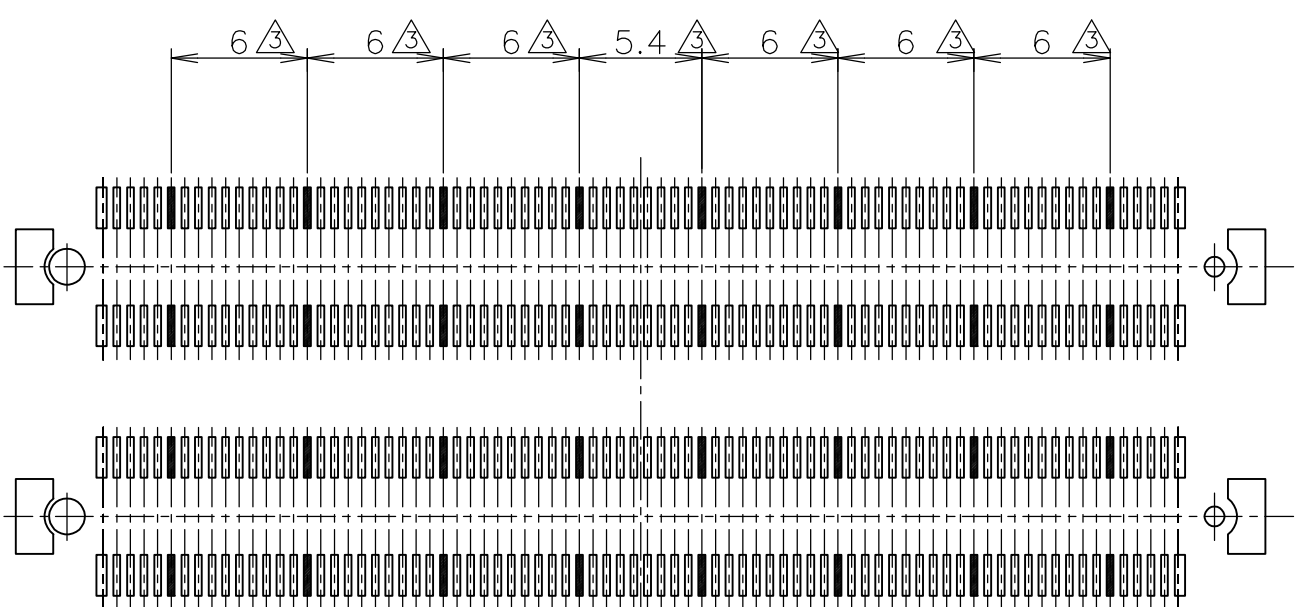
LOC	DIST	REVISIONS		
		P	LTR	DESCRIPTION
J			-	SEE SHEET 1
				DATE
				DWN
				APVD



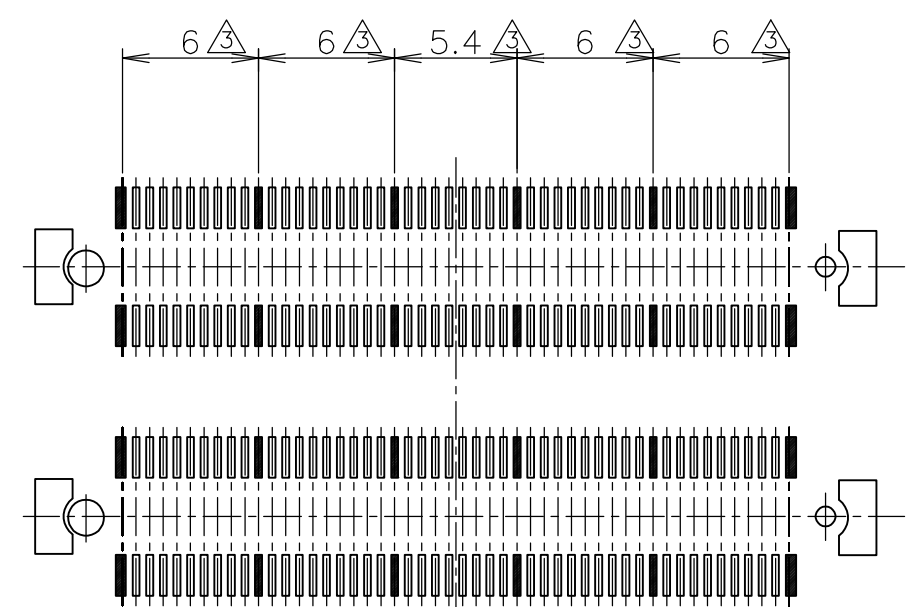
280P



240P



320P



200P

THIS DRAWING IS A CONTROLLED DOCUMENT.		DWN	Tyco Electronics Corporation Kawasaki, Japan		
DIMENSIONS: 単位: 耗 mm		CHK	NAME 名称		
TOLERANCES UNLESS OTHERWISE SPECIFIED: 一般公差		APVD	SOFT TRAY ASSY FH 0.6BTB CONNECTOR PLUG 4H W/G-PLATE 2ROW TYPE		
0 PLC ±-		PRODUCT SPEC 製品規格	SIZE	CAGE CODE	DRAWING NO 番号
1 PLC ±-		APPLICATION SPEC 取付適用規格	A3	00779	G-5353720
2 PLC ±-		WEIGHT	RESTRICTED TO		
3 PLC ±-		CUSTOMER DRAWING	SCALE 3:1		
4 PLC ±-			SHEET 3 OF 3		
ANGLES ±-			REV A		
MATERIAL 材料	FINISH 仕上				
①	②				