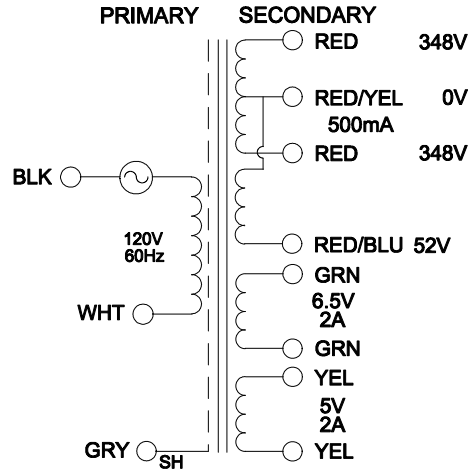
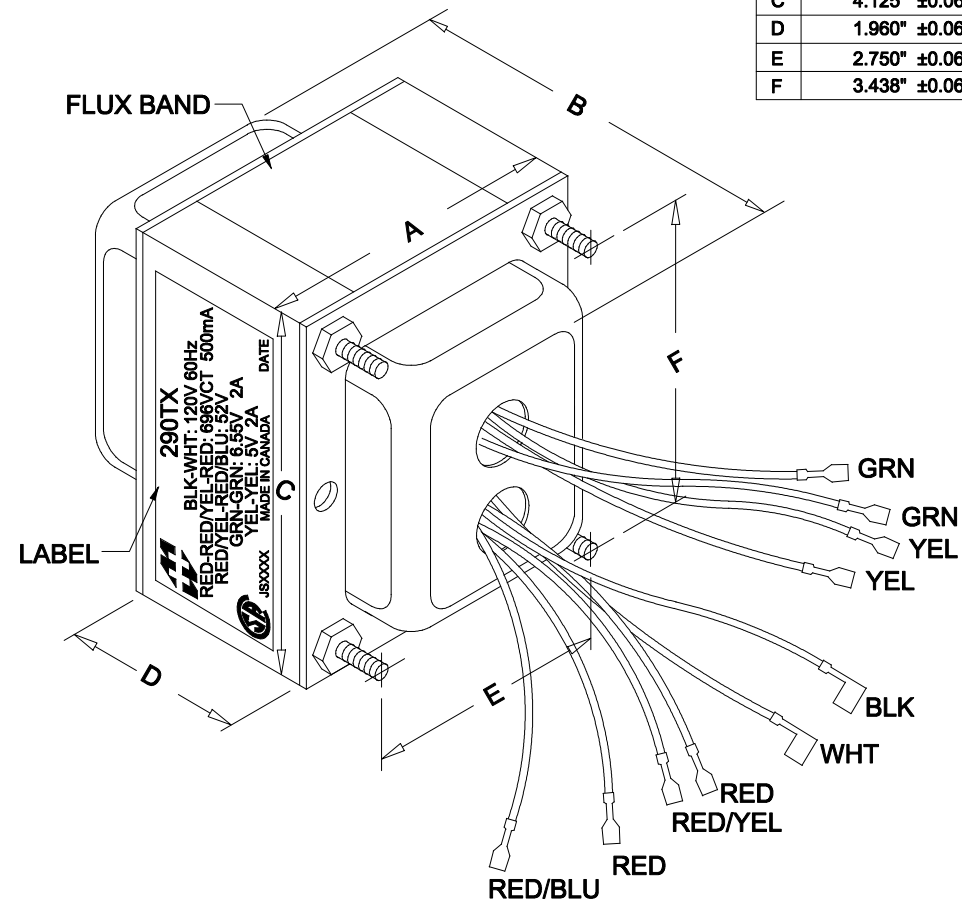


DIMENSIONS:	
A	3.438" ±0.063
B	4.300" ±0.125
C	4.125" ±0.063
D	1.960" ±0.063
E	2.750" ±0.063
F	3.438" ±0.063



NOTE: ALL LEADS 12" OUT MIN.

ELECTRICAL DATA:		
TESTS	CONDITIONS	ACCEPTANCE CRITERIA
Iex	@ 120V, 60Hz, BLK - WHT	237mA Max.
Sec. N.L.V	@ 120V, 60Hz, BLK - WHT	
	RED - RED =	747.9V ±2%
	RED - RED/YEL = RED/YEL - RED =	373.9V ±2%
	RED/YEL - RED/BLU =	57.85V ±2%
	YEL - YEL =	5.357V ±2%
	GRN - GRN =	6.964V ±2%
DCR	@ 20°C, BLK - WHT =	1.180 Ω ±20%
	@ 20°C, RED - RED =	46.16 Ω ±20%
	@ 20°C, RED/YEL - RED/BLU =	6.140 Ω ±20%
	@ 20°C, YEL - YEL =	0.070 Ω ±20%
	@ 20°C, GRN - GRN =	0.080 Ω ±20%
HIPOT	PRIMARY - SECONDARY	2500V, 60Hz, 1 SEC

REV.#	REVISION	DATE	HAMMOND ELECTRONIC DIVISION		PH # (519) 886-6181 FAX # (519) 886-9540
0	RELEASED.	12/01/10	52 RANKIN PLACE, WATERLOO, ONTARIO, N2J 3Z5		
			DWG. BY: C. ILIE	CHK'D BY:	TITLE: 290TX
			DATE: 12/01/10	APP'D. BY:	TRANSFORMER
				DIMENSIONS: IN(X) MM()	DWG. NO. 290TX