

## Robots-Set ECBPMi

ROB-SET ECBPMi UR

Part no...:10.03.01.00512

<https://www.schmalz.com/10.03.01.00512>

Home > Vacuum Technology for Automation > Vacuum Components > Vacuum Generators > Vacuum Generators End-of-Arm > Handling Sets  
ECBPMi > ROB-SET ECBPMi UR

### Complete set for connecting and integrating the CobotPump ECBPMi to lightweight robots



for: Universal Robots

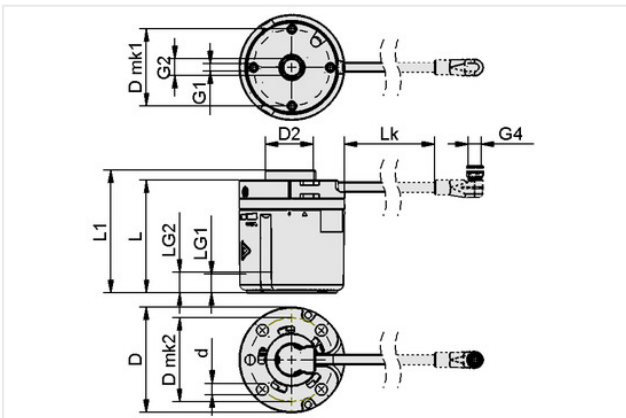
Type: UR3/5

contains: Suction cup

and: Screws

Degree of evacuation: 60 %

### Design Data



Attribute	Value
Lk	120.50 mm
D	63 mm
D2	31.50 mm
D mk1	46 mm
D mk2	50 mm
G1	M4-F
G2	G1/4"-F
G3	
G4	M8-F
L	67.40 mm
L1	73.40 mm
LG1	6 mm
LG2	11.50 mm

### Technical Data

Attribute	Value
Suction rate (max.)	1.60 l/min
Degree of evacuation	60 %
Voltage DC	24V - DC
Rated power	7.20 W

### Contact Schmalz

Schmalz Inc. | 5850 Oak Forest Drive, Raleigh, NC 27616, United States | +1 (919) 713-0880 | [schmalz.us@schmalz.com](mailto:schmalz.us@schmalz.com)

## Robots-Set ECBPMi

ROB-SET ECBPMi UR

Part no...:10.03.01.00512

<https://www.schmalz.com/10.03.01.00512>

Rated current	0.30 A
Electrical connection	Elb fem conn M8, 8 pol
Operating temperature	0 ... 40 °C
Protection type IP	IP 40
Weight	224 g
for	Universal Robots
Product family	ROB-SET-ECBPM

### Accessories



#### SLG ECBPMi FSGA 2 102x0

Part no...:10.01.10.14043

Length L: 102 mm

Width B: 0 mm

Height H: 57 mm

Suction cup typ: FSGA

Number of suction cells: 2



#### SLG ECBPMi FSGA 3 102x102

Part no...:10.01.10.14042

Length L: 102 mm

Width B: 102 mm

Height H: 57 mm

Suction cup typ: FSGA

Number of suction cells: 3

## Robots-Set ECBPMi

ROB-SET ECBPMi UR

Part no...:10.03.01.00512

<https://www.schmalz.com/10.03.01.00512>



### SLG ECBPMi FSGA 4 102x75.3

Part no...:10.01.10.14041

Length L: 102 mm

Width B: 75.3 mm

Height H: 57 mm

Suction cup typ: FSGA

Number of suction cells: 4

## Spare parts



### ECBPMi 24V-DC FK

Part no...:10.03.01.00500

Voltage DC: 24V - DC

Rated current: 0.3 A

Electrical connection: Spring contact

Operating temperature: 0 ... 40 °C

Suction rate (max.): 1.6 l/min

Rated power: 7.2 W



### SPB1 30 ED-65 G1/4-AG

Part no...:10.01.06.04530

Size: 30

Suction cup material: Elastodur

Material hardness [Shore A]: 65 Shore A

Thread G1: G1/4"-M

Number of folds: 1.5

## Robots-Set ECBPMi

ROB-SET ECBPMi UR

Part no...:10.03.01.00512

<https://www.schmalz.com/10.03.01.00512>



### SFF 20 SI-55 G1/4-AG

Part no...:10.01.01.14621

Size: 20

Suction cup material: Silicone SI

Material hardness [Shore A]: 55 Shore A

Material characteristics: FDA-compatible