

Gigabit 2.5A PoE Inserter/Splitter

Features

- Very High Power Shielded Design (uses all 4 pairs)
- 10/100/1000Mb Compatible
- Wire Terminal DC Power Connector
- 12VDC to 65VDC Power Over Ethernet
- Use as Injector or Splitter
- Power On LED indicator



POE-INJ/SPLT-G

Applications

- Wireless Equipment
- Supply 140W remote power over single cable
- Ubiquiti airFiber™ Radios
- Security Applications
- Sensor Equipment
- PTZ Cameras

Description

The POE-INJ/SPLT-G is a high quality, high power shielded passive power over Ethernet inserter/splitter that is compatible with data speeds up to one gigabit. The DC connector is a wire terminal type power connector for universal application. The RJ45 connectors are shielded to ensure continuous shielding from power source to destination device. Power is supplied on all 8 Ethernet pins 1,2,4,5(+) and 3,6,7,8(-). The unit can handle up to 2.5A continuous power so it is perfect for carrying up to 140W @ 56VDC over CAT5/CAT6 cable.

The inserters/splitters are perfect for remotely powering devices such as PoE Switches, POS Terminals, Kiosks, LED Lighting, Thin Clients, PTZ Cameras, Wireless Radios, Small Cells, 802.11AC Access Points, Sensors, etc. Multiple devices can be powered over a single CAT5/CAT6 cable.

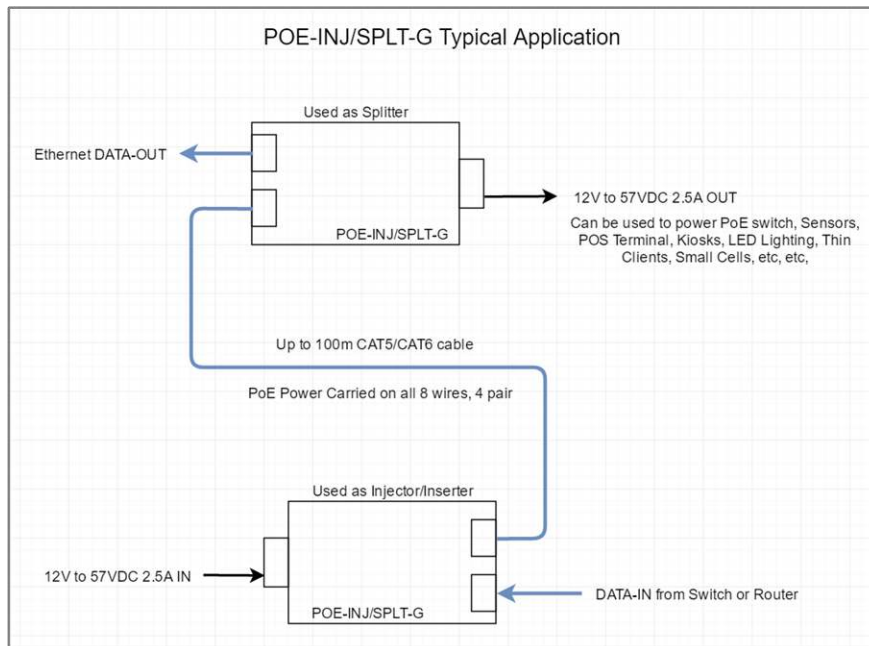
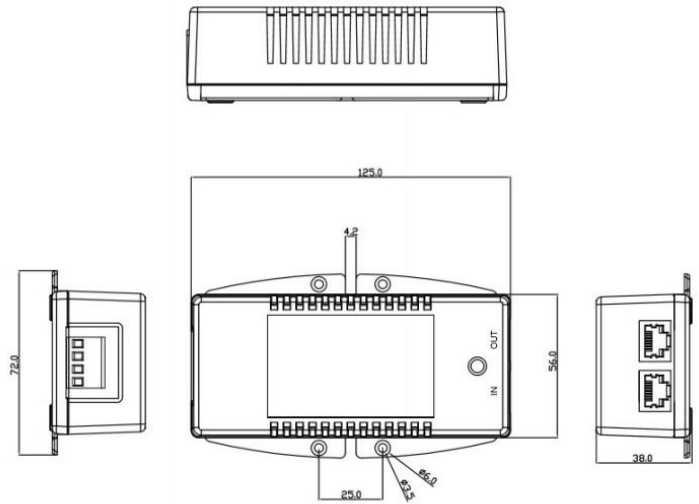
PoE Pinout:

RJ-45 Input (Data Only)			RJ-45 Output (Data & Power)	
Pin	Symbol	Description	Symbol	Description
1	BI_DA+	Data Pair A+	+Vdc + BI_DA+	power(+)+Data Pair A+
2	BI_DA-	Data Pair A-	+Vdc + BI_DA-	power(+)+Data Pair A-
3	BI_DB+	Data Pair B+	-Vdc + BI_DB+	power(-)+Data Pair B+
4	BI_DC+	Data Pair C+	+Vdc + BI_DC+	power(+)+Data Pair C+
5	BI_DC-	Data Pair C-	+Vdc + BI_DC-	power(+)+Data Pair C-
6	BI_DB-	Data Pair B-	-Vdc + BI_DB-	power(-)+Data Pair B-
7	BI_DD+	Data Pair D+	-Vdc + BI_DD+	power(-)+Data Pair D+
8	BI_DD-	Data Pair D-	-Vdc + BI_DD-	power(-)+Data Pair D-

Specifications

POE-INJ/SPLT-G	
DC Input Voltage Range	12V to 65VDC
Data Speeds	10/100/1000Mb
Maximum POE Current	2.5A
DC Connector	Wire Terminal (up to 12AWG Wire)
LED Function	Power On = Red Current >80mA = Green
Operating Temperature	-40°F to 158°F (-40°C to +70°C)
Operating Humidity	0 to 99% RH
Size	4.9 x 2.8 x 1.5" (125x72x38mm)
Weight	3.5oz (100g)
Warranty	3 Years

Caution: Only use for devices that are compatible with 8 wire passive POE or you may damage your device



Ordering:

POE-INJ/SPLT-G Gigabit 2.5A High Power PoE Inserter/Splitter, Shielded, Wire Terminal Connector

For further information contact:

Tyconsystems.com

