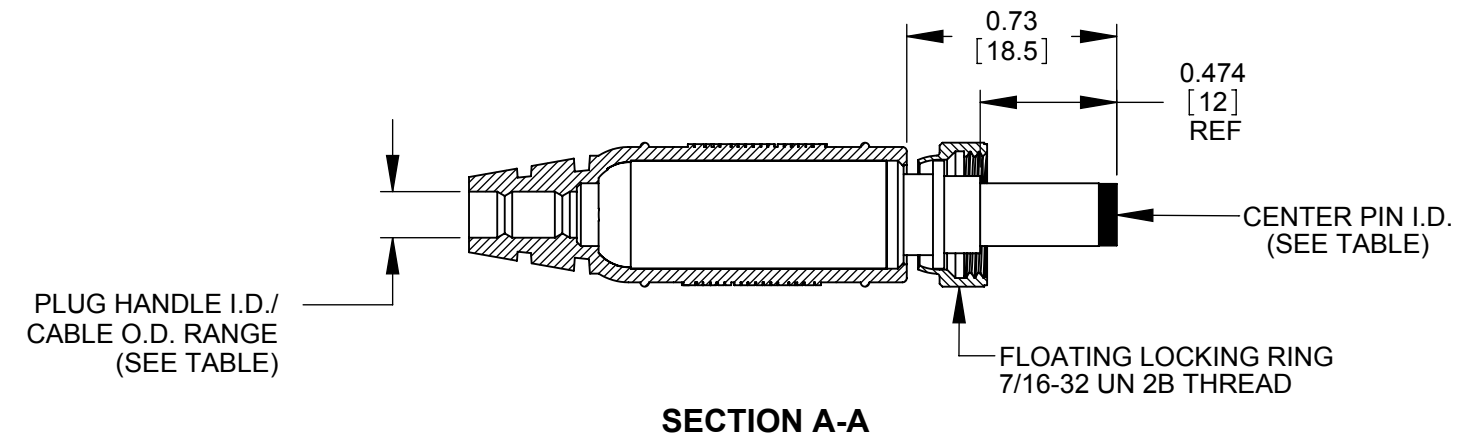
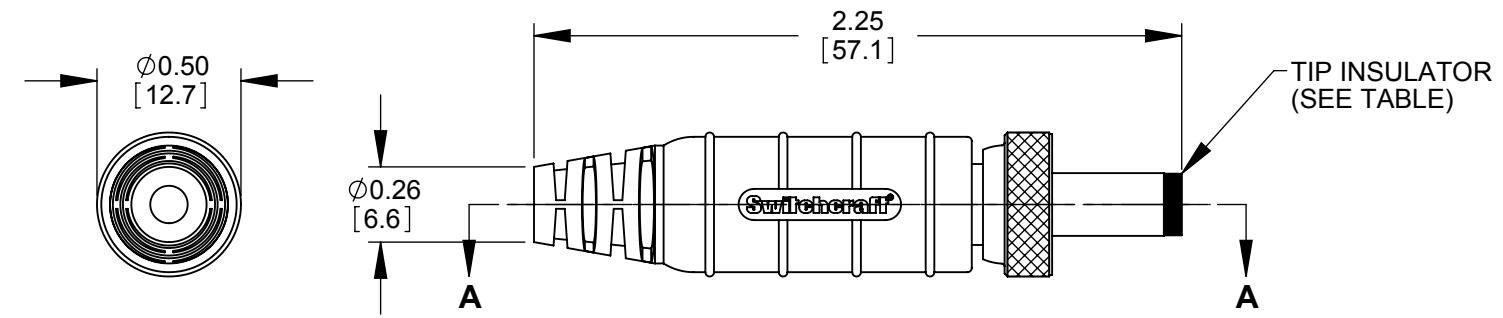


PART NUMBER	CENTER PIN I.D./ PLUG SIZE	TIP INSULATOR COLOR	CABLE NOMINAL O.D. RANGE	MATING POWER JACKS
761KS12	0.10 [2.5]	Black	0.125 - 0.150 [3.2 - 3.8mm]	L712AS, L712RAS, PCL712AS
761KS15		Black	0.150 - 0.175 [3.8 - 4.4mm]	
761KS17		Black	0.175 - 0.210 [4.4 - 5.1mm]	
S761KS12	0.08 [2.0]	White	0.125 - 0.150 [3.2 - 3.8mm]	L722AS, L722RAS, PCL722AS
S761KS15		White	0.150 - 0.175 [3.8 - 4.4mm]	
S761KS17		White	0.175 - 0.210 [4.4 - 5.1mm]	
767KS12	0.084 [2.1]	Red	0.125 - 0.150 [3.2 - 3.8mm]	
767KS15		Red	0.150 - 0.175 [3.8 - 4.4mm]	
767KS17		Red	0.175 - 0.210 [4.4 - 5.1mm]	



CUSTOMER DRAWING

NOTES:

- MATERIAL:
CONTACTORS, LOCKING RING - COPPER ALLOY, NICKEL PLATED
TERMINALS - COPPER ALLOY, TIN PLATED
INSULATORS - THERMOPLASTIC
PLUG HANDLE - THERMOPLASTIC RUBBER OVER THERMOPLASTIC, BLACK
- THIS PRODUCT IS RoHS COMPLIANT

REV	ECO NUMBER	DATE	BY	APVD
A	26591	8/6/10	RS	TJK
REVISIONS				

UNLESS OTHERWISE SPECIFIED

1. ALL DIMENSIONS IN INCHES

- TWO PLACE DECIMALS ±0.02

- THREE PLACE DECIMALS ±0.005

DO NOT SCALE DRAWING

THIS DRAWING DESCRIBES A DESIGN CONSIDERED PROPRIETARY IN NATURE, DEVELOPED AND MANUFACTURED BY SWITCHCRAFT INC. AND IS RELEASED ON A CONFIDENTIAL BASIS FOR IDENTIFICATION PURPOSES ONLY.									
SIZE	WIDTH	MULT	LBS/M	TEMPER					
FINISH					MATERIAL				
SPEC No.					SPEC No.				
FIRST USED ON					SCALE				
					1.5:1				
DATE DRAWN	BY	CHKD	APVD						
7/22/09	PNK	RS	TJK						
			8/6/10			8/6/10			
NAME					PART No.				
SEALED POWER PLUGS, RoHS					761KS, 767KS, S761KS SERIES				
					REV				
					A				