

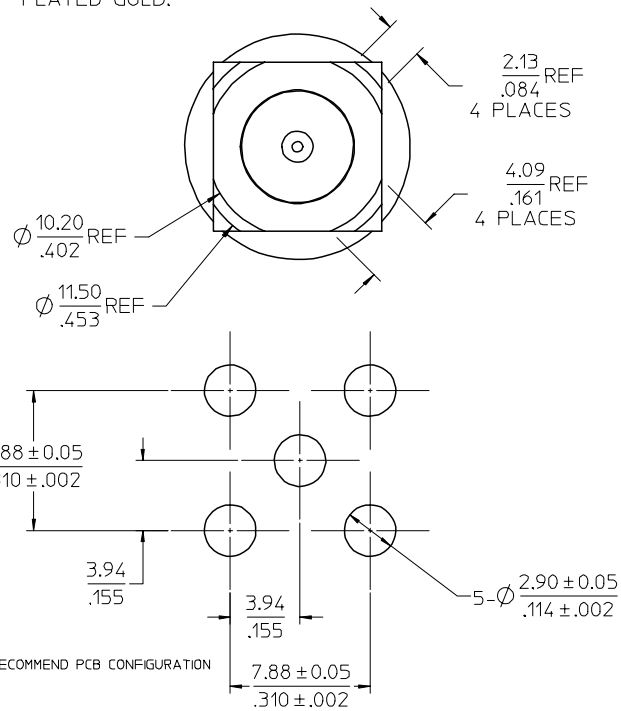
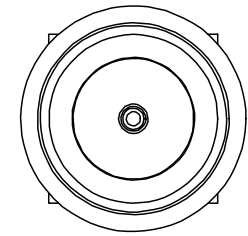
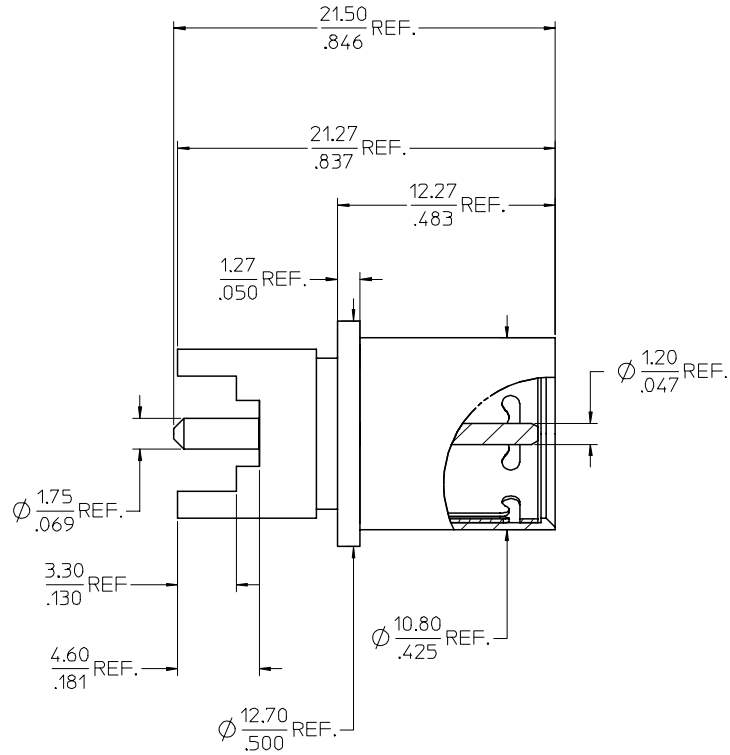
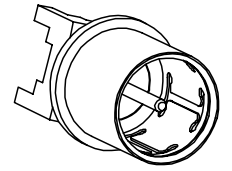
MATERIALS AND FINISHES

BODY BRASS  
PLATED TIN.

CENTER CONTACT BRASS  
PLATED GOLD.

INSULATOR TEFLON

SPRING PHOSPHOR BRONZE  
PLATED GOLD.



RECOMMEND PCB CONFIGURATION

PS-89675-3520	PRODUCT SPEC.
SPECIFICATION	DESCRIPTION

CHG: 130 REF  
WAS :130±.002.  
FC NO: URF2007-0445  
DRAWN:AROBERTSON 2007/05/10  
CHKD: 2007/05/10  
APPR: JIM ENEER 2007/05/10  
B2

QUALITY SYMBOLS  
▽=0  
▽=0

GENERAL TOLERANCES (UNLESS SPECIFIED)	
mm	INCH
4 PLACES ± .005	± .0004
3 PLACES ± .003	± .0003
2 PLACES ± 0.13	± .005
1 PLACE ± 0.25	± .010
ANGULAR ± 2 °	

DIMENSION STYLE	
MM/IN	SCALE
DRAWN BY	DATE
EVITA	2005/04/20
CHECKED BY	DATE
PENNY	2005/04/20
APPROVED BY	DATE
MISEN	2005/04/20

SCALE DESIGN UNITS THIRD ANGLE PROJECTION

TITLE F MALE PUSH FIT VERTICAL F-P/PCB

MATERIAL NO. 733300280 DOCUMENT NO. SD-73330-028 SHEET NO. 1 OF 1

DRAFT WHERE APPLICABLE MUST REMAIN WITHIN DIMENSIONS

THIS DRAWING CONTAINS INFORMATION THAT IS PROPRIETARY TO MOLEX INCORPORATED AND SHOULD NOT BE USED WITHOUT WRITTEN PERMISSION