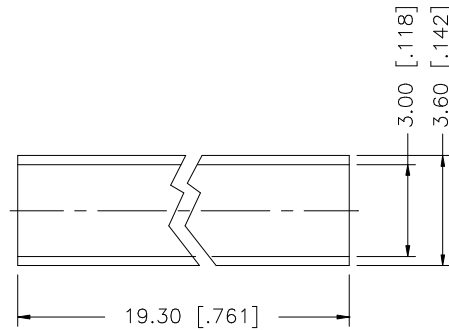
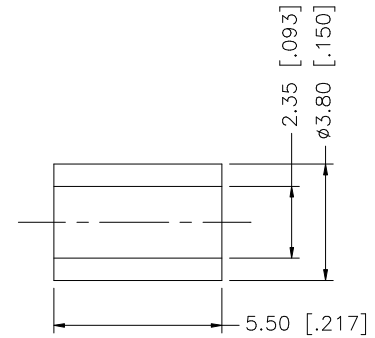
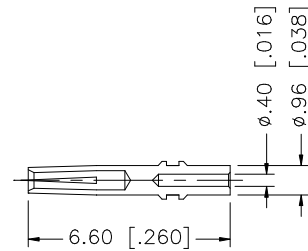
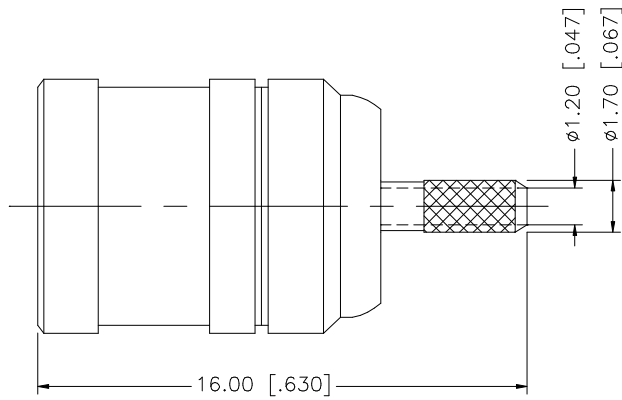
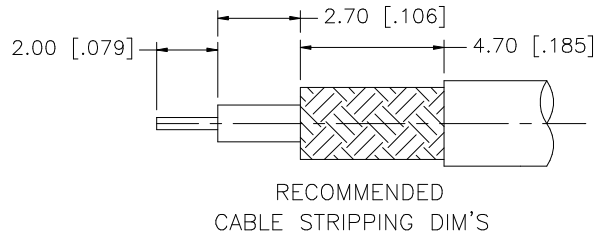


REV.	DATE	DESCRIPTION
NC	09/22/99	INITIAL RELEASE
A	07/20/05	UPDATE DRAWING FORMAT



8				
7				
6				
5	HEAT SHRINK TUBE			
4	FERRULE	COPPER	GOLD	1
3	CONTACT PIN	BER. COPPER	GOLD	1
2	INSULATOR	TEFLON	NATURAL	1
1	BODY	BRASS	GOLD	1
	DESCRIPTION	MATERIAL	FINISH	QTY

UNLESS OTHERWISE SPECIFIED DIMENSIONS ARE IN MILLIMETERS. DIMENSIONS IN [] ARE IN INCHES AND FOR CUSTOMER REFERENCE ONLY.

UNLESS OTHERWISE SPECIFIED TOLERANCES FOR MILLIMETERS ARE:
0.5 - 8mm ± 0.20mm
8 - 30mm ± 0.40mm
30 - 120mm ± 0.50mm

UNLESS OTHERWISE SPECIFIED TOLERANCES FOR INCHES ARE:
.020 - .315 = ± 0.007"
.315 - 1.180 = ± 0.015"
1.180 - 4.724 = ± 0.020"

DO NOT SCALE DRAWING

APPROVALS	DATE
DRAWN G.R.S.	07/20/05
CHECKED	
ISSUED	
SHEET 1 OF 1	
CAD FILE	C:/142/142229.DWG

Amphenol Connex

PART DESCRIPTION	SMB CRIMP PLUG (FOR RG-178/U, 196/U CABLE)			
PART NO.	142229			
DWG. NO.	142229.DWG	REV.	A	SCALE NA