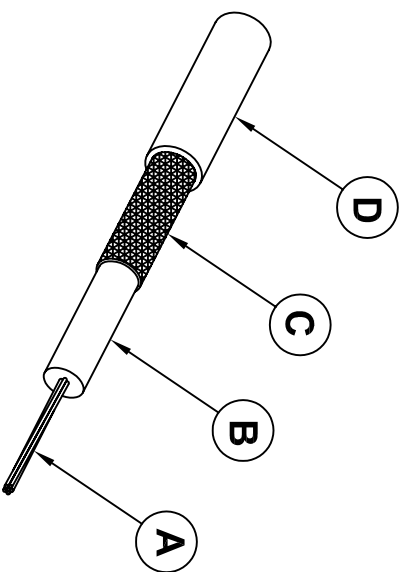


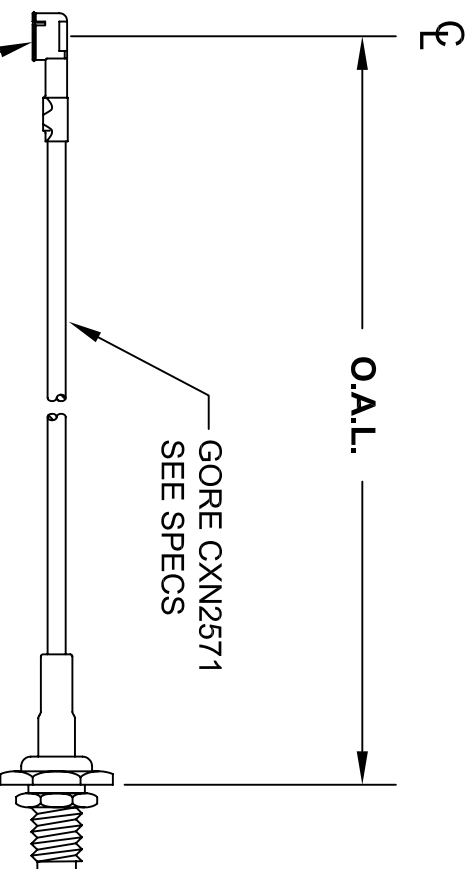
**GORE CXN2571 COAXIAL CABLE SPECS**



- CONSTRUCTION**
- A. CONDUCTOR: AWG 30 (7/38) SILVER PLATED COPPER CLAD STEEL, 0.012" NOMINAL
  - B. DIELECTRIC: FEP, .033" NOMINAL DIA.
  - C. SHIELD: AWG 40(1) SPC BRAIDED SHIELD
  - D. JACKET: GRAY FEP, 0.006" THICK, 0.058" +/- .003"

- REQUIREMENTS**
- 1. IMPEDANCE: 50 +/- 2 OHMS
  - 2. CAPACITANCE: 30 PF / FT NOM
  - 3. VELOCITY OF PROPAGATION: 69% OF AIR NOM
  - 4. ATTENUATION: 29dB/100FT NOM @ 400MHZ  
49dB/100FT (EST.) @ 1GHZ
  - 5. DIELECTRIC BREAKDOWN: 1,000 VOLTS

REVISIONS			
REV	DESCRIPTION	DATE	APRV



SMA BLK HD JACK  
KAI S-0381/1.5-50-S-TGN  
OR EQUAL

HIR H.FL-LP-DFS111(01)  
HIR H.FL-LP

D

B

A

1

2

3

4

D

B

A

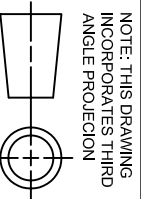
**KSM Electronics Inc.** 6630 N.W. 16TH Terrace  
Ft. Lauderdale, FL 33309

DRAWN BY:  
JOSHUA SALCEDO

C. MURPHY

**H.FL TO SMAJ BULKHEAD  
CABLE ASSEMBLY**

**CONFIDENTIAL**  
THIS DRAWING AND THE SPECIFICATIONS CONTAINED  
HEREIN ARE THE PROPERTY OF **KSM ELECTRONICS  
INC.** AND MAY NOT BE REPRODUCED OR USED IN  
WHOLE OR IN PART AS THE BASIS FOR MANUFACTURE  
OR SALE OF PRODUCTS WITHOUT WRITTEN  
PERMISSION OF **KSM ELECTRONICS INC.**



APPROVALS

--	--	--	--

TITLE	SIZE	CAGE CODE	DRAWING NUMBER
H.FL TO SMAJ BULKHEAD CABLE ASSEMBLY	A	67013	KSM-1193-XX-X-SMAJ
SCALE: NONE	WEIGHT	SHEET 1 OF 1	

1

2

3

4