

THIS DRAWING IS UNPUBLISHED.

RELEASED FOR PUBLICATION

© COPYRIGHT - By -


ALL RIGHTS RESERVED.

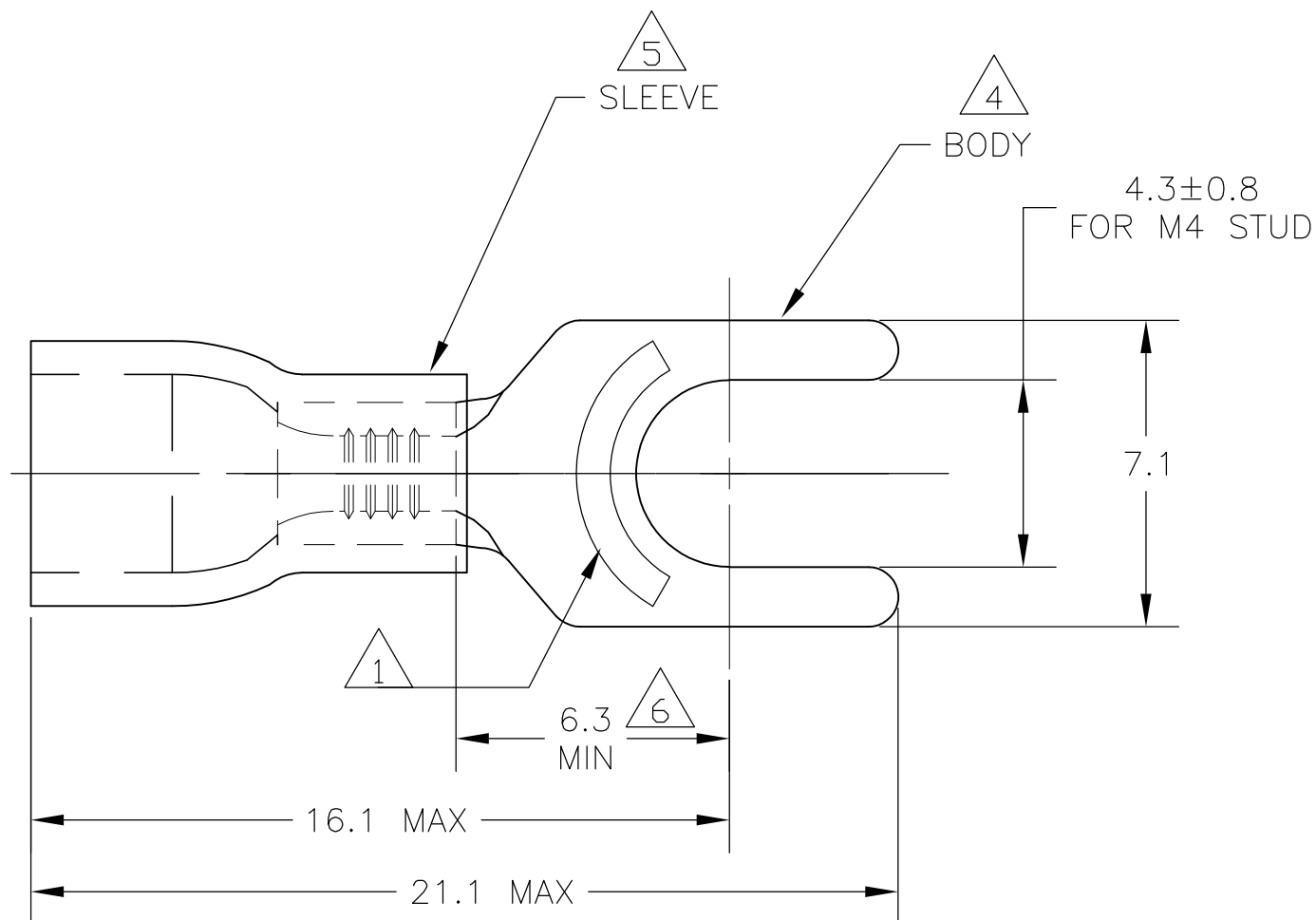
LOC
G

DIST
02

REVISIONS


P	LTR	DESCRIPTION	DATE	DWN	APVD
	D1	REVISED PER ECO-11-004917	11MAR11	RK	HMR

AMP WIRE RANGE	 Listed
0.25-1.65 SOLID OR STRANDED	0.25-1.65 SOLID OR STRANDED



- 1 STAMP AMP 22-16*
LOCATE APPROX AS SHOWN
- 2 FOR WIRE INSULATION DIA 2.7-3.6
- 3 TONGUE THK IS 0.8±0.07
- 4 BODY: COPPER PER ASTM B-152
TIN PLATED PER ASTM B-545
- 5 SLEEVE: PVC, RED
- 6 APPLIES FROM EDGE OF METAL WIRE
BARREL TO CENTER OF STUD HOLE.

5,000	ON TAPE, REEL	2-165008-1
1,000	LOOSE PIECE	165008-0
QTY	PACKAGE TYPE	PART NO

THIS DRAWING IS A CONTROLLED DOCUMENT.		DWN JR RUTH 27OCT03	 TE Connectivity NAME TERMINAL, SPADE, PLASTI-GRIP, WIRE SIZE, 22-16 AWG				
DIMENSIONS: MM INCHES		CHK T MICHELUTTI 27OCT03					
TOLERANCES UNLESS OTHERWISE SPECIFIED:		APVD T MICHELUTTI 27OCT03					
0 PLC ± - 1 PLC ± 0.2 2 PLC ± - 3 PLC ± - 4 PLC ± - ANGLES ± 1°		PRODUCT SPEC -					
MATERIAL SEE NOTES		FINISH SEE NOTES	APPLICATION SPEC -	SIZE A3	CAGE CODE 00779	DRAWING NO C-165008	RESTRICTED TO -
CUSTOMER DRAWING			SCALE 1:1	SHEET 1 OF 1	REV D1		