

SACC-PO12MSX-8CT-CL SH - Data connector



1021783

<https://www.phoenixcontact.com/us/products/1021783>

Please be informed that the data shown in this PDF document is generated from our online catalog. Please find the complete data in the user documentation. Our general terms of use for downloads are valid.



Data connector, Ethernet CAT6_A (10 Gbps), PROFINET CAT6_A (10 Gbps), 8-position, shielded, Plug straight M12 Push-Pull, X, Crimp connection, knurl material: PA 6.6, external cable diameter 6.5 mm ... 10 mm, without crimp contacts

Your advantages

- Plug and Produce: convenient and secure connection, thanks to the manufacturer-independent locking system
- Extremely compact, thanks to the small wiring space and high contact density
- Clear feedback: the connector springs back when not snapped into place correctly
- Safely shielded: reliable shield connection even under extreme mechanical strain
- Robust connection: suitable for railway applications with high shock and vibration loads

Commercial data

Item number	1021783
Packing unit	1 pc
Minimum order quantity	1 pc
Sales key	BF34
Product key	BF2CJJ
Catalog page	Page 27 (C-2-2019)
GTIN	4055626514628
Weight per piece (including packing)	33.5 g
Weight per piece (excluding packing)	33 g
Customs tariff number	85366990
Country of origin	DE

Technical data

Notes

General	This product corresponds to the PROFINET Cabling and Interconnection Technology Guideline for PROFINET regulations, version 2.00, order no: 2.252, Chapter 8.2 Connectors for Outside Environment (Balanced cabling)
General	NOTE: Observe the permissible bending radii when laying conductors, since the degree of protection may be put in jeopardy if the bending forces are too high. Alleviate mechanical loads upstream of the connector, e.g. by using cable ties.

Mounting

Assembly instructions	Contacts can be clipped in place and unclipped without tools
Connection method	Crimp connection

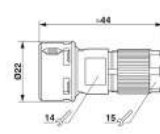
Product properties

Product type	Circular connector (cable-side)
Sensor type	Ethernet
Number of positions	8
Application	Data
No. of cable outlets	1
Shielded	yes
Coding	X
Cable outlet	straight

Insulation characteristics

Overvoltage category	II
Degree of pollution	3

Dimensions

Dimensional drawing	
Length	44 mm
Wrench size, union nut	15 mm
Wrench size, counter nut	14 mm

External dimensions

Outside diameter	6.5 mm ... 10 mm
------------------	------------------

Housing

Diameter housing	22 mm
------------------	-------

Material specifications

SACC-PO12MSX-8CT-CL SH - Data connector



1021783

<https://www.phoenixcontact.com/us/products/1021783>

Flammability rating according to UL 94	V0
Seal material	NBR
Material of grip body	Zinc die-cast, nickel-plated
Contact carrier material	PA 6.6
Material for screw connection	PA 6.6
Standards/regulations	PA 6.6: Fire protection in rail vehicles - requirement sets R22, R23, R24, and R26 acc. to DIN EN 45545-2 (Risk level HL1 - HL3)

Connection data

Conductor connection

Connection method	Crimp connection
Connection cross section	0.14 mm ² ... 0.34 mm ² (flexible)
Connection cross section AWG	26 ... 22 (flexible)
Stripping length of the individual wire	4 mm +0,5 mm
Tightening torque	4 Nm (Pressure nut with coupling sleeve)

Electrical properties

Rated surge voltage	0.8 kV
Insulation resistance	≥ 100 MΩ
Nominal voltage U _N	48 V AC 60 V DC
Nominal current I _N	0.5 A

Mechanical properties

Mechanical data

Insertion/withdrawal cycles	≥ 100
-----------------------------	-------

Connector

Connection 1

Head design	Plug
Head cable outlet	straight
Head thread type	M12
Head locking type	Push-Pull
Coding	X

Cable/line

Signal type/category	Ethernet CAT6 _A (IEC 11801), 10 Gbps PROFINET CAT6 _A (IEC 11801), 10 Gbps
Stripping length of the individual wire	4 mm +0,5 mm

Environmental and real-life conditions

Ambient conditions

SACC-PO12MSX-8CT-CL SH - Data connector



1021783

<https://www.phoenixcontact.com/us/products/1021783>

Degree of protection	IP65
	IP67
	IP68
	IP69K
Ambient temperature (operation)	-40 °C ... 85 °C (Plug / socket)

Standards and regulations

Testing

Standards/regulations	PA 6.6: Fire protection in rail vehicles - requirement sets R22, R23, R24, and R26 acc. to DIN EN 45545-2 (Risk level HL1 - HL3)
-----------------------	--

M12

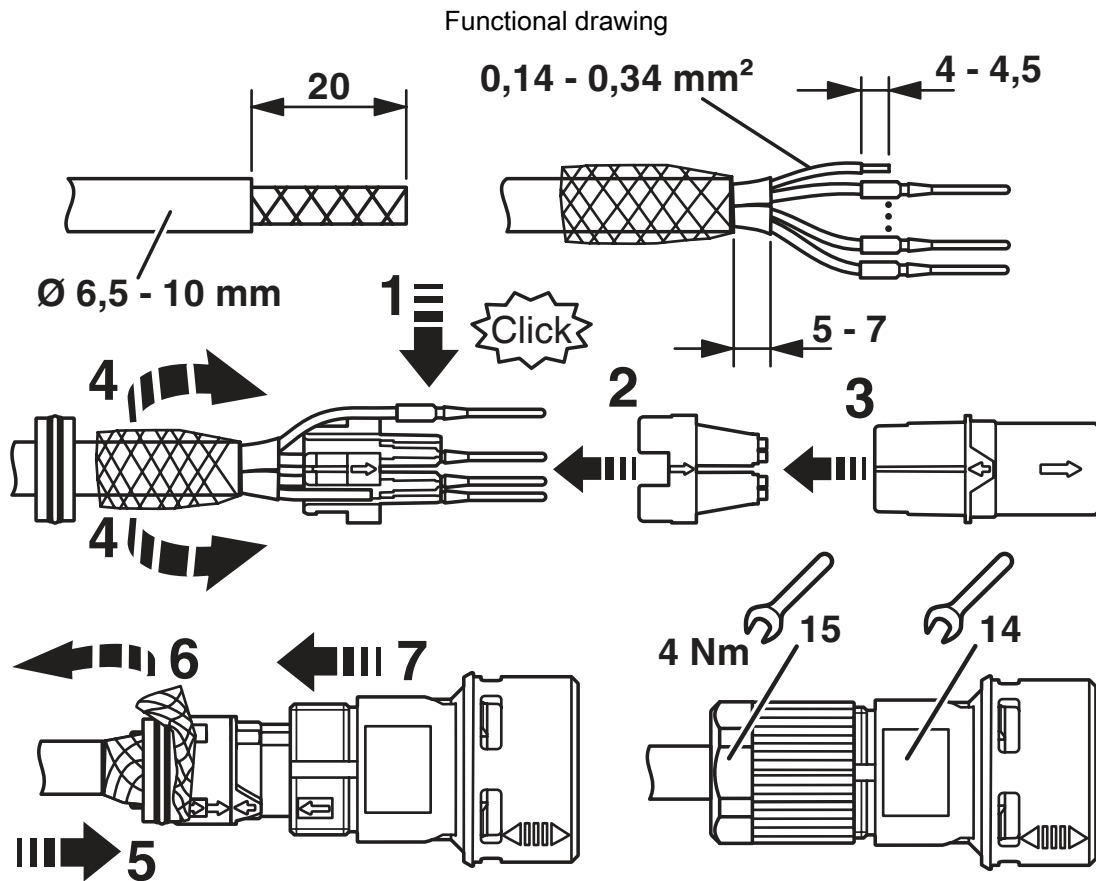
Standard designation	M12 connector
Standards/specifications	IEC 61076-2-109, IEC 61076-2-010
Note	In line with
Standard designation	Shock, vibration
Standards/specifications	EN 50155:2001

SACC-PO12MSX-8CT-CL SH - Data connector

1021783

<https://www.phoenixcontact.com/us/products/1021783>

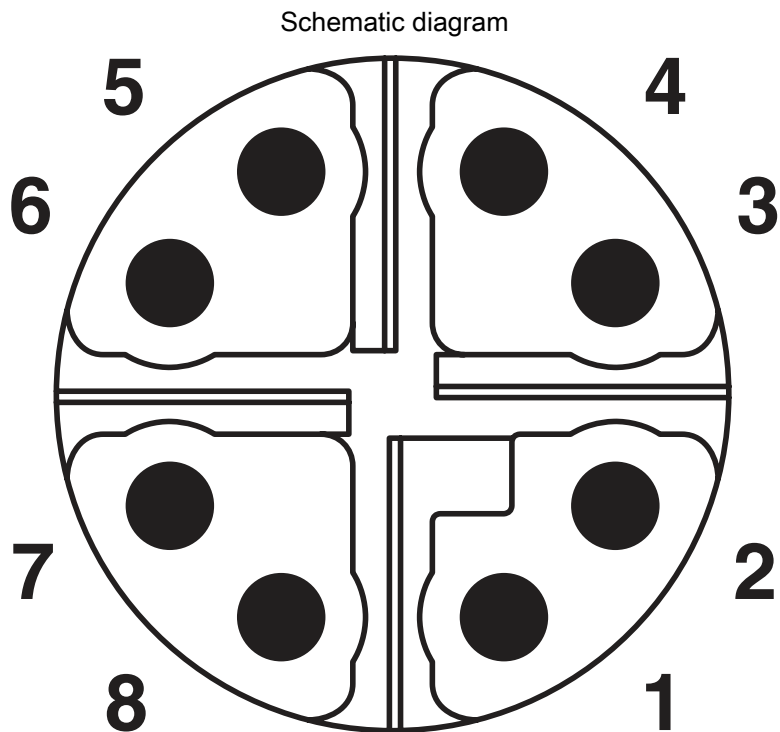
Drawings



SACC-PO12MSX-8CT-CL SH - Data connector

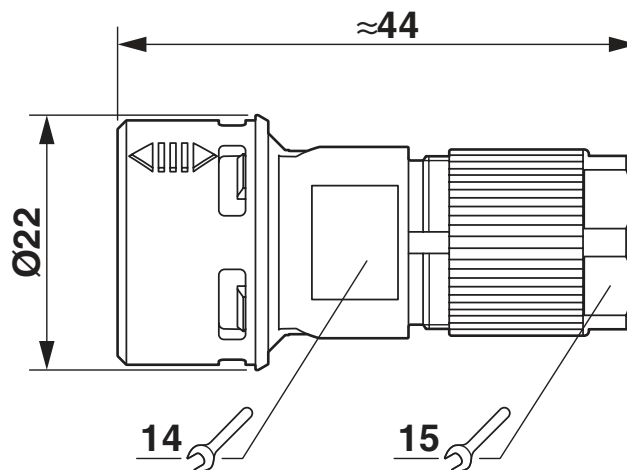
1021783

<https://www.phoenixcontact.com/us/products/1021783>



M12 PUSH-PULL male pin assignment, 8-pos., pin-side view

Dimensional drawing



M12 push-pull plug, straight, shielded

SACC-PO12MSX-8CT-CL SH - Data connector



1021783

<https://www.phoenixcontact.com/us/products/1021783>

Approvals

To download certificates, visit the product detail page: <https://www.phoenixcontact.com/us/products/1021783>



UL Listed

Approval ID: E335024-20120831



cUL Listed

Approval ID: E335024-20120831

cULus Listed

SACC-PO12MSX-8CT-CL SH - Data connector



1021783

<https://www.phoenixcontact.com/us/products/1021783>

Classifications

ECLASS

ECLASS-11.0	27440102
ECLASS-12.0	27440116
ECLASS-13.0	27440116

ETIM

ETIM 8.0	EC002635
----------	----------

UNSPSC

UNSPSC 21.0	39121400
-------------	----------

SACC-PO12MSX-8CT-CL SH - Data connector



1021783

<https://www.phoenixcontact.com/us/products/1021783>

Environmental product compliance

China RoHS	Environmentally friendly use period: unlimited = EFUP-e
	No hazardous substances above threshold values

SACC-PO12MSX-8CT-CL SH - Data connector



1021783

<https://www.phoenixcontact.com/us/products/1021783>

Mandatory accessories

CC0,6-TS-0,34M AU - Crimp contact

1423643

<https://www.phoenixcontact.com/us/products/1423643>



Crimp contact, contact diameter: 0.6 mm, turned, Pin, contact material: CuZn, contact surface: Ni/Au, connection cross section: 0.14 mm² ... 0.34 mm², AWG 26 ... 22

Accessories

CC0,6-TS-0,34M AU - Crimp contact

1423643

<https://www.phoenixcontact.com/us/products/1423643>



Crimp contact, contact diameter: 0.6 mm, turned, Pin, contact material: CuZn, contact surface: Ni/Au, connection cross section: 0.14 mm² ... 0.34 mm², AWG 26 ... 22

SACC-PO12MSX-8CT-CL SH - Data connector

1021783

<https://www.phoenixcontact.com/us/products/1021783>



NBC-100,0-94S - Data cable

1423514

<https://www.phoenixcontact.com/us/products/1423514>



Data cable, Ethernet CAT7 (10 Gbps), 8-position, cable length: 100 m

CRIMPFOX-TC MP - Crimping pliers with digital display

1212510

<https://www.phoenixcontact.com/us/products/1212510>



Crimping pliers, for turned contacts, universal cross section setting, up to a maximum of 2.5 mm², digital display with 0.01 mm increments, pressure lock can be unlocked, including positioning tool

SACC-PO12MSX-8CT-CL SH - Data connector



1021783

<https://www.phoenixcontact.com/us/products/1021783>

MICROFOX-SB - Diagonal cutter

1212489

<https://www.phoenixcontact.com/us/products/1212489>



Electronic diagonal cutter, round head, without chamfer, with opening spring, mirror-polished and oiled, 2-component grip, cutting capacity: soft 0.2 - 2.0 mm; medium hard 1.2 mm; hard 0.5 mm diameter

WIREFOX-D 13 - Stripping tool

1212162

<https://www.phoenixcontact.com/us/products/1212162>



Stripping tool, for stripping installation lines of \varnothing 8 - 13 mm , e.g. NYM 3 x 1.5 mm² to 5 x 2.5 mm², single line stripping 0.2 mm² - 4 mm² , with longitudinal cut blade and sliding knife

SACC-PO12MSX-8CT-CL SH - Data connector



1021783

<https://www.phoenixcontact.com/us/products/1021783>

WIREFOX SAC - Stripping tool

1212623

<https://www.phoenixcontact.com/us/products/1212623>



Stripping pliers, for halogen-free sensor/actuator cables (SAC cables), with PUR and PVC insulation, from Ø of 4.4 to 7 mm, any stripping length

Phoenix Contact 2023 © - all rights reserved

<https://www.phoenixcontact.com>

Phoenix Contact USA
586 Fulling Mill Road
Middletown, PA 17057, United States
(+717) 944-1300
info@phoenixcon.com