

TUSB216 USB 2.0 High-Speed Signal Conditioner With BC 1.2 Controller

1 Features

- Wide supply voltage range: 2.3 - 6.5 V
- Ultra-low USB disconnect and shutdown power consumption
- Provides USB 2.0 high-speed signal conditioning
- Compatible with USB 2.0, OTG 2.0 and BC 1.2
- Support for low-speed, full-speed, high-speed signaling
- Integrated BC 1.2 CDP battery charging controller
- Host/Device agnostic
- Supports up to 5-m cable length
 - Four selectable signal boost (edge boost along with DC boost) settings via external pull-down resistor values
 - Three selectable RX sensitivity settings via pull-up-or-down to compensate ISI jitter for high-loss applications
- Supports up to 10-m cable length with two TUSB216 devices
- Scalable solution - devices can be daisy chained for high loss applications
- Pin compatible with TUSB211/212/214 (3.3V)

2 Applications

- [Laptop, desktop/docking stations](#)
- [Portable electronics](#)
- [Tablets](#)
- [Cell phones](#)
- [Televisions](#)
- [Active cable, cable extenders](#)

- [Backplane](#)

3 Description

The TUSB216 is a third-generation USB 2.0 high-speed signal conditioner designed to compensate both AC loss (due to capacitive load) and DC loss (due to resistive loss) in the transmission channel.

The TUSB216 leverages a patented design to speed-up transition edges of USB 2.0 high-speed signal with an edge booster and increases static levels with a DC boost function. In addition, the TUSB216 includes a pre-equalization function to improve the receiver sensitivity and compensate the inter-symbol interference (ISI) jitter in application with longer cable length. USB low-speed and full-speed signal characteristics are unaffected by the TUSB216.

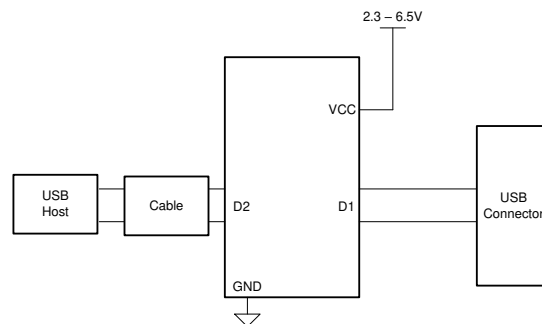
The TUSB216 improves signal quality without altering packet timing or adding propagation delay or latency.

The TUSB216 helps a system to pass the USB 2.0 high-speed near end eye compliance with a cable as long as 5 meters.

The TUSB216 is compatible with the USB On-The-Go (OTG) and battery charging (BC 1.2) protocols. The Integrated BC 1.2 battery charging controller can be enabled via a control pin.

Device Information

| PART NUMBER | PACKAGE | OP TEMP (T _A) °C | BODY SIZE (NOM) |
|-------------|------------|------------------------------|-------------------|
| TUSB216 | X2QFN (12) | 0 to 70 | 1.60 mm x 1.60 mm |



Simplified Schematic



Table of Contents

| | | | |
|--|---|--|----|
| 1 Features | 1 | 7.4 Device Functional Modes..... | 9 |
| 2 Applications | 1 | 7.5 TUSB216 Registers..... | 10 |
| 3 Description | 1 | 8 Application and Implementation | 14 |
| 4 Revision History | 2 | 8.1 Application Information..... | 14 |
| 5 Pin Configuration and Functions | 3 | 8.2 Typical Application..... | 14 |
| 6 Specifications | 5 | 9 Power Supply Recommendations | 22 |
| 6.1 Absolute Maximum Ratings..... | 5 | 10 Layout | 23 |
| 6.2 ESD Ratings..... | 5 | 10.1 Layout Guidelines..... | 23 |
| 6.3 Recommended Operating Conditions..... | 5 | 10.2 Layout Example..... | 23 |
| 6.4 Thermal Information..... | 5 | 11 Device and Documentation Support | 24 |
| 6.5 Electrical Characteristics..... | 5 | 11.1 Receiving Notification of Documentation Updates.. | 24 |
| 6.6 Switching Characteristics..... | 7 | 11.2 Support Resources..... | 24 |
| 6.7 Timing Requirements..... | 8 | 11.3 Trademarks..... | 24 |
| 7 Detailed Description | 9 | 11.4 Electrostatic Discharge Caution..... | 24 |
| 7.1 Overview..... | 9 | 11.5 Glossary..... | 24 |
| 7.2 Functional Block Diagram..... | 9 | 12 Mechanical, Packaging, and Orderable Information | 24 |
| 7.3 Feature Description..... | 9 | | |

4 Revision History

| Changes from Revision B (January 2020) to Revision C (October 2020) | Page |
|--|-------------|
| • Corrected the thermal information for RWB package instead of RGY..... | 5 |
| • Added a note to place an option to add a decoupling cap on CDP_ENZ..... | 14 |

| Changes from Revision A (February 2019) to Revision B (January 2020) | Page |
|--|-------------|
| • Changed to correct typo from 100m to 10-m | 1 |
| • Deleted automotive application to defer to future Q100 version | 1 |
| • Changed to correct typo from 100m to 10-m | 5 |

5 Pin Configuration and Functions

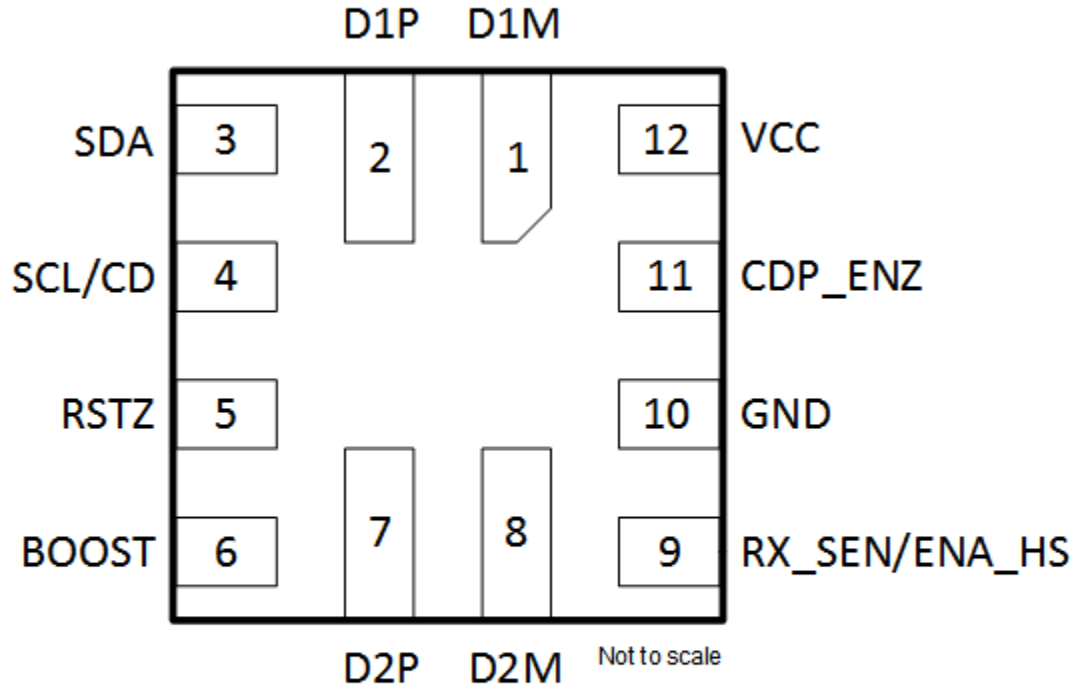


Figure 5-1. TUSB216 RWB 12-Pin X2QFN Top View

Table 5-1. Pin Functions

| PIN | | I/O | INTERNAL PULLUP/PULLDOWN | DESCRIPTION |
|---------|-----|-----|--------------------------|---|
| NAME | NO. | | | |
| BOOST | 6 | I | N/A | USB High-speed boost select via external pull down resistor. Both edge boost and DC boost are controlled by a single pin in non-I2C mode. In I2C mode edge boost and DC boost can be individually controlled. Sampled upon power up. Does not recognize real time adjustments. Auto selects BOOST LEVEL = 3 when left floating. |
| CDP_ENZ | 11 | I | 500 kΩ PU | Set CDP_ENZ is low to enable BC 1.2 CDP controller |

Table 5-1. Pin Functions (continued)

| PIN | | I/O | INTERNAL PULLUP/PULLDOWN | DESCRIPTION |
|----------------|-----|-----|---|---|
| NAME | NO. | | | |
| RX_SEN2/ENA_HS | 9 | I/O | N/A | In I2C mode: Reserved for TI test purpose. In non-I2C mode: At reset: 3-level input signal RX_SEN. USB High-speed RX Sensitivity Setting to Compensate ISI Jitter H (pin is pulled high) – high RX sensitivity (high loss channel) M (pin is left floating) – medium RX sensitivity (medium loss channel) L (pin is pulled low) – low RX sensitivity (low loss channel) After reset: Output signal ENA_HS. Flag indicating that channel is in High-speed mode. Asserted upon: 1. Detection of USB-IF High-speed test fixture from an unconnected state followed by transmission of USB TEST_PACKET pattern. 2. Squelch detection following USB reset with a successful HS handshake [HS handshake is declared to be successful after single chirp J chirp K pair where each chirp is within 18 μ s – 128 μ s]. |
| D2P | 7 | I/O | N/A | USB High-speed positive port. |
| D2M | 8 | I/O | N/A | USB High-speed negative port. |
| GND | 10 | P | N/A | Ground |
| D1M | 1 | I/O | N/A | USB High-speed negative port.. |
| D1P | 2 | I/O | N/A | USB High-speed positive port. |
| SDA1 | 3 | I/O | 500 k Ω PU 1.8 M Ω PD | I2C Mode: Bidirectional I2C data pin [7-bit I2C slave address = 0x2C]. In non I2C mode: Reserved for TI test purpose. |
| VCC | 12 | P | N/A | Supply power |
| RSTN | 5 | I | 500 k Ω PU 1.8 M Ω PD | Device disable/enable. Low – Device is at reset and in shutdown, and High - Normal operation. Recommend 0.1- μ F external capacitor to GND to ensure clean power on reset if not driven. If the pin is driven, it must be held low until the supply voltage for the device reaches within specifications. |
| SCL1/CD | 4 | I/O | When RSTN asserted there is a 500 k Ω PD | In I2C mode: I2C clock pin [I2C address = 0x2C]. Non I2C mode: After reset: Output CD. Flag indicating that a USB device is attached (connection detected). Asserted from an unconnected state upon detection of DP or DM pull-up resistor. De-asserted upon detection of disconnect. |

1. Pull-up resistors for SDA and SCL pins in I²C mode should be $R_{\text{Pull-up}}$ (depending on I2C bus voltage). If both SDA and SCL are pulled up at power-up the device enters into I²C mode.
2. Pull-down and pull-up resistors for RX_SEN pin must follow R_{RXSEN1} and R_{RXSEN2} resistor recommendations in non I²C mode.

6 Specifications

6.1 Absolute Maximum Ratings

Over operating free-air temperature range (unless otherwise noted) ⁽¹⁾

| | | MIN | MAX | UNIT |
|---|----------------------------|------|------|------|
| Supply voltage range | VCC | -0.3 | 7 | V |
| Voltage range USB data | DxP, DxM | -0.3 | 5.5 | V |
| Voltage range on BOOST pin | BOOST | -0.3 | 1.98 | V |
| Voltage range other pins | RX_SEN, CDP_ENZ, SCL, RSTN | -0.3 | 5.5 | V |
| Storage temperature, T _{stg} | | -65 | 150 | °C |
| Maximum junction temperature, T _{J(max)} | | | 125 | °C |

- (1) Stresses beyond those listed under *Absolute Maximum Ratings* may cause permanent damage to the device. These are stress ratings only, which do not imply functional operation of the device at these or any other conditions beyond those indicated under *Recommended Operating Conditions*. Exposure to absolute-maximum-rated conditions for extended periods may affect device reliability.

6.2 ESD Ratings

| | | | VALUE | UNIT |
|--------------------|-------------------------|---------------------------------|-------|------|
| V _(ESD) | Electrostatic discharge | Human-body model (HBM), per | ±2000 | V |
| | | Charged-device model (CDM), per | ±750 | |

6.3 Recommended Operating Conditions

over operating free-air temperature range (unless otherwise noted)

| | | MIN | NOM | MAX | UNIT |
|----------------------|--|------|-----|------|------|
| V _{CC} | Supply voltage | 2.3 | 5 | 6.5 | V |
| V _{I2C_BUS} | I2C Bus Voltage | 1.62 | | 3.6 | V |
| DxP, DxM | Voltage range USB data | 0 | | 3.6 | V |
| BOOST | Voltage range BOOST pin | 0 | | 1.98 | V |
| Digital | Voltage range other pins (SCL, SDA, RX_SEN, CDP_ENZ, RSTN) | 0 | | 3.6 | V |

6.4 Thermal Information

| THERMAL METRIC ⁽¹⁾ | | RWB (X2QFN) | UNIT |
|-------------------------------|--|-------------|------|
| | | 12 PINS | |
| R _{θJA} | Junction-to-ambient thermal resistance | 137.4 | °C/W |
| R _{θJC(top)} | Junction-to-case (top) thermal resistance | 62 | °C/W |
| R _{θJB} | Junction-to-board thermal resistance | 67.2 | °C/W |
| ψ _{JT} | Junction-to-top characterization parameter | 1.9 | °C/W |
| ψ _{JB} | Junction-to-board characterization parameter | 67.3 | °C/W |
| R _{θJC(bot)} | Junction-to-case (bottom) thermal resistance | N/A | °C/W |

- (1) For more information about traditional and new thermal metrics, see the *Semiconductor and IC Package Thermal Metrics* application report, [SPRA953](#).

6.5 Electrical Characteristics

Over operating free-air temperature range (unless otherwise noted)

| PARAMETER | TEST CONDITIONS | MIN | TYP ⁽¹⁾ | MAX | UNIT | |
|--------------------------|----------------------------|--|--------------------|------|------|----|
| POWER | | | | | | |
| I _{ACTIVE_HS} | High Speed Active Current | USB channel = HS mode. 480 Mbps traffic. V _{CC} supply stable, with Boost = Max | | 22 | 36 | mA |
| I _{IDLE_HS} | High Speed Idle Current | USB channel = HS mode, no traffic. V _{CC} supply stable, Boost = Max | | 22 | 36 | mA |
| I _{HS_SUPSPEND} | High Speed Suspend Current | USB channel = HS Suspend mode. V _{CC} supply stable | | 0.75 | 1.4 | mA |

Over operating free-air temperature range (unless otherwise noted)

| PARAMETER | | TEST CONDITIONS | MIN | TYP ⁽¹⁾ | MAX | UNIT |
|---|---|---|-----|--------------------|------|------|
| I _{FS} | Full-Speed Current | USB channel = FS mode, 12 Mbps traffic, V _{CC} supply stable | | 0.75 | 1.4 | mA |
| I _{DISCONN} | Disconnect Power | Host side application. No device attachment. | | 0.80 | 1.4 | mA |
| I _{SHUTDOWN} | Shutdown Power | RSTN driven low, V _{CC} supply stable | | 60 | 115 | μA |
| CONTROL PIN LEAKAGE | | | | | | |
| I _{LKG_FS} | Pin failsafe leakage current for SDA, RSTN | V _{CC} = 0 V, pin at V _{IH,max} | | 10 | 15 | μA |
| I _{LKG_FS} | Pin failsafe leakage current for RX_SEN | V _{CC} = 0 V, pin at V _{IH,max} | | 6 | 15 | μA |
| I _{LKG_FS} | Pin failsafe leakage current for SCL | V _{CC} = 0 V, pin at V _{IH,max} | | | 70 | nA |
| INPUT RSTN | | | | | | |
| V _{IH} | High level input voltage | | 1.5 | | 3.6 | V |
| V _{IL} | Low-level input voltage | | 0 | | 0.5 | V |
| I _{IH} | High level input current | V _{IH} = 3.6 V, R _{PU} enabled | | | ±15 | μA |
| I _{IL} | Low level input current | V _{IL} = 0V, R _{PU} enabled | | | ±20 | μA |
| INPUT DIGITAL | | | | | | |
| V _{IH} | High level input voltage (CDP_ENZ) | | 1.5 | | 3.6 | V |
| V _{IL} | Low-level input voltage (CDP_ENZ) | | 0 | | 0.5 | V |
| I _{IL} | Low level input current | V _{IL} = 0V | | | ±20 | μA |
| I _{IH} | High level input current | V _{IH} = 3.6 V | | | ±15 | μA |
| INPUT RX_SEN (3-level input, for mid level leave pin floating) | | | | | | |
| V _{IH(Max)} | Maximum High level input voltage R _{RXSEN1} =37.5kΩ, R _{RXSEN2} =12.5kΩ | V _{CC} = 2.3V to 6.5V | | | 5.5 | V |
| V _{IH(Min)} | Minimum High level input voltage R _{RXSEN1} =37.5kΩ, R _{RXSEN2} =12.5kΩ | V _{CC} = 2.3V to 6.5V (% of V _{CC}) | 75 | | | % |
| V _{IL} | Low level input voltage 22kΩ ≤ R _{RXSEN1} ≤ 40kΩ | | | | 0.75 | V |
| INPUT BOOST | | | | | | |
| R _{BOOST_LVL0} | External pulldown resistor for BOOST Level 0 | | | | 160 | Ω |
| R _{BOOST_LVL1} | External pulldown resistor for BOOST Level 1 | | 1.5 | 1.8 | 2 | kΩ |
| R _{BOOST_LVL2} | External pulldown resistor for BOOST Level 2 | | 3.4 | 3.6 | 3.96 | kΩ |
| R _{BOOST_LVL3} | External pulldown resistor for BOOST Level 3 | | 7.5 | | 11 | kΩ |
| OUTPUTS CD, ENA_HS | | | | | | |
| V _{OH} | High level output voltage for CD and ENA_HS | I _O = -50 μA, V _{CC} ≥ 3.0V | 2.5 | | | V |
| V _{OH} | High level output voltage for CD | I _O = -25 μA, V _{CC} = 2.3V | 1.7 | | | V |
| V _{OH} | High level output voltage for ENA_HS | I _O = -25 μA, V _{CC} = 2.3V | 1.8 | | | V |
| V _{OL} | Low level output voltage for CD and ENA_HS | I _O = 50 μA | | | 0.3 | V |
| I2C | | | | | | |
| C _{I2C_BUS} | I ² C Bus Capacitance | | 4 | | 150 | pF |
| I _{OL} | I ² C open drain output current | V _{OL} = 0.4V | 1.5 | | | mA |

Over operating free-air temperature range (unless otherwise noted)

| PARAMETER | | TEST CONDITIONS | MIN | TYP ⁽¹⁾ | MAX | UNIT |
|----------------------|---|---|-----|--------------------|-----|------|
| V _{IL} | 2.3V ≤ V _{CC} ≤ 4.3V, V _{I2C_BUS} = 1.8V +/-10% | R _{Pull-up} = 1.6kΩ to 2.5kΩ, % of V _{I2C_BUS} | | | 25 | % |
| V _{IL} | V _{I2C_BUS} = 3.3V +/-10% | R _{Pull-up} = 2.8kΩ to 7kΩ, % of V _{I2C_BUS} | | | 25 | % |
| V _{IH} | 2.3V ≤ V _{CC} ≤ 4.3V, V _{I2C_BUS} = 1.8V +/-10% | R _{Pull-up} = 1.6kΩ to 2.5kΩ, % of V _{I2C_BUS} | 80 | | | % |
| V _{IH} | V _{I2C_BUS} = 3.3V +/-10% | R _{Pull-up} = 2.8kΩ to 7kΩ, % of V _{I2C_BUS} | 75 | | | % |
| R _{Pull-up} | V _{I2C_BUS} = 1.8V +/-10% | | 1.6 | 2 | 2.5 | kΩ |
| R _{Pull-up} | V _{I2C_BUS} = 3.3V +/-10% | | 2.8 | 4.7 | 7 | kΩ |
| SCL Frequency | | | | | 100 | kHz |
| DxP, DxM | | | | | | |
| C _{IO_DXX} | Capacitance to GND | Measured with VNA at 240 MHz, V _{CC} supply stable, Redriver off | | 2.5 | | pF |

 (1) All typical values are at V_{CC} = 5 V, and T_A = 25°C.

6.6 Switching Characteristics

Over operating free-air temperature range (unless otherwise noted)

| PARAMETER | | TEST CONDITIONS | MIN | TYP ⁽¹⁾ | MAX | UNIT |
|-----------------------------|----------------|--|-----|--------------------|-----|------|
| DxP, DxM USB Signals | | | | | | |
| F _{BR_DXX} | Bit Rate | USB channel = HS mode. 480 Mbps traffic. V _{CC} supply stable | | | 480 | Mbps |
| t _{R/F_DXX} | Rise/Fall time | | 100 | | | ps |

 (1) All typical values are at V_{CC} = 5 V, and T_A = 25°C.

6.7 Timing Requirements

| | | MIN | NOM | MAX | UNIT |
|------------------------|---|-----|-----|------|---------|
| POWER UP TIMING | | | | | |
| T_{RSTN_PW} | Minimum width to detect a valid RSTN signal assert when the pin is actively driven low | 100 | | | μ s |
| T_{STABLE} | VCC must be stable before RSTN de-assertion | 300 | | | μ s |
| T_{READY} | Maximum time needed for the device to be ready after RSTN is de-asserted. | | | 500 | μ s |
| T_{RAMP} | VCC ramp time | | | 100 | ms |
| T_{RAMP} | VCC ramp time | 0.2 | | | ms |
| I2C (STD) | | | | | |
| t_{SUSTO} | Stop setup time, SCL ($T_r=600$ ns-1000ns), SDA ($T_f=6.5$ ns-106.5ns), 100kHz STD | 4 | | | μ s |
| t_{HDSTA} | Start hold time, SCL ($T_r=600$ ns-1000ns), SDA ($T_f=6.5$ ns-106.5ns), 100kHz STD | 4 | | | μ s |
| t_{SUSTA} | Start setup time, SCL ($T_r=600$ ns-1000ns), SDA ($T_f=6.5$ ns-106.5ns), 100kHz STD | 4.7 | | | μ s |
| t_{SUDAT} | Data input or False start/stop, setup time, SCL ($T_r=600$ ns-1000ns), SDA ($T_f=6.5$ ns-106.5ns), 100kHz STD | 250 | | | ns |
| t_{HDDAT} | Data input or False start/stop, hold time, SCL ($T_r=600$ ns-1000ns), SDA ($T_f=6.5$ ns-106.5ns), 100kHz STD | 5 | | | μ s |
| t_{BUF} | Bus free time between START and STOP conditions | 4.7 | | | μ s |
| t_{LOW} | Low period of the I2C clock | 4.7 | | | μ s |
| t_{HIGH} | High period of the I2C clock | 4 | | | μ s |
| t_F | Fall time of both SDA and SCL signals | | | 300 | ns |
| t_R | Rise time of both SDA and SCL signals | | | 1000 | ns |

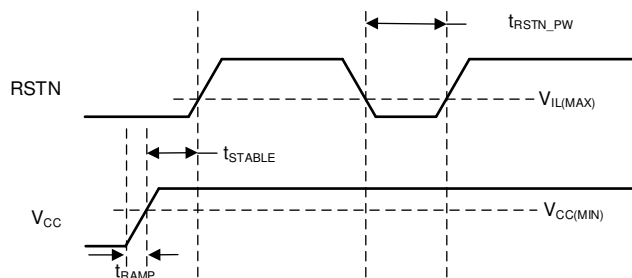


Figure 6-1. Power On and Reset Timing

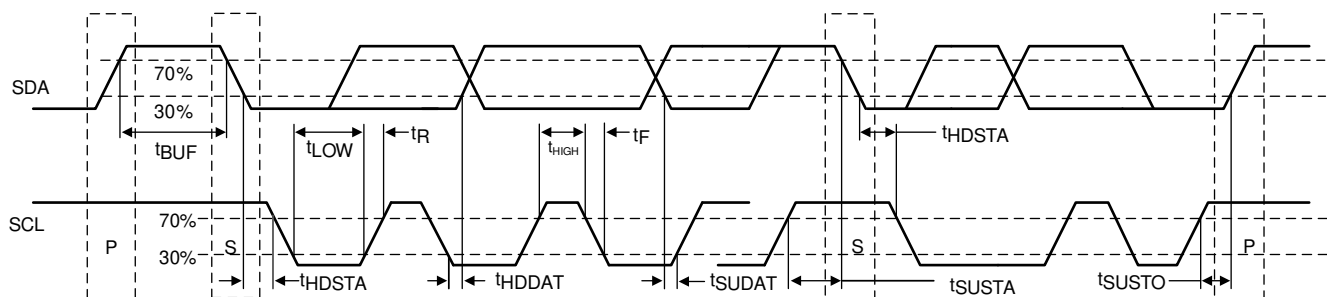


Figure 6-2. I2C Timing

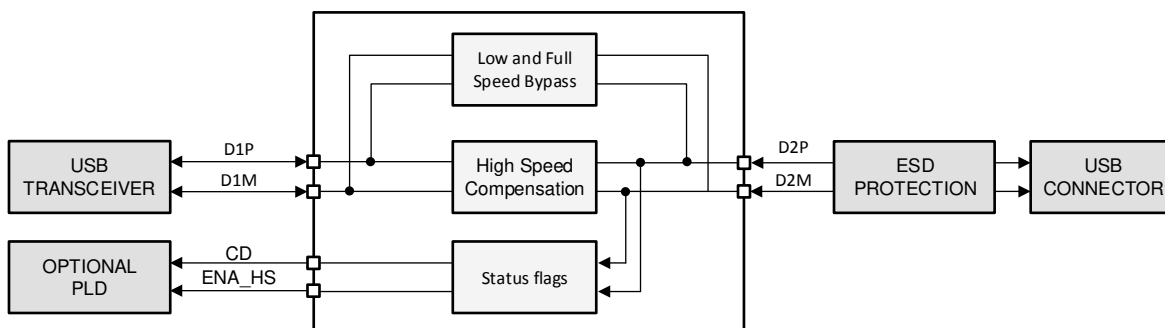
7 Detailed Description

7.1 Overview

The TUSB216 is a USB High-Speed (HS) signal conditioner designed to compensate for ISI signal loss in a transmission channel. TUSB216 has a patented design for USB Low Speed (LS) and Full Speed (FS) signals. It does not alter the signal characteristics. HS signals are compensated. The design is compatible with USB On-The-Go (OTG) and Battery Charging (BC) specifications.

Programmable signal gain through an external resistor permits fine tuning device performance to optimize signals. This helps pass USB HS electrical compliance tests at the connector. Additional RX sensitivity, tuned by external pull-up resistor and pull-down resistor, allows to overcome attenuation in cables. The TUSB216 allows application in series to cover longer distances, or high loss transmission paths. A maximum of 4 devices can be daisy-chained.

7.2 Functional Block Diagram



Copyright © 2018, Texas Instruments Incorporated

7.3 Feature Description

7.3.1 High-speed Boost

The high-speed booster (combination of edge boost and DC boost) improves the eye width for USB2.0 high-speed signals. It is direction independent and by that is compatible to OTG systems. The BOOST pin is configuring the booster strength with different values of pull down resistors to set 4 levels of boosts, alternatively the boost level can be set via I2C register according to [Section 7.4.6](#). Internal circuitry of the signal conditioner reduces possible overshoot.

7.3.2 RX Sensitivity

The RX_SEN pin is a tri-level pin. It is used to set the gain of the device according to system channel loss. RX sensitivity can be increased to recover incoming signals with low vertical eye opening to be able to boost weak signals and helps overcoming high attenuation.

7.4 Device Functional Modes

7.4.1 Low-speed (LS) Mode

TUSB216 automatically detects a LS connection and does not enable signal compensation. CD pin is asserted high but ENA_HS will be low.

7.4.2 Full-speed (FS) Mode

TUSB216 automatically detects a FS connection and does not enable signal compensation. CD pin is asserted high but ENA_HS will be low

7.4.3 High-speed (HS) Mode

TUSB216 automatically detects a HS connection and will enable signal compensation as determined by the configuration of the RX_SEN pin and the external pull down resistance on its BOOST pin.

CD pin and ENA_HS pin are asserted high when high-speed boost is active.

7.4.4 High-speed Downstream Port Electrical Compliance Test Mode

TUSB216 will detect HS compliance test fixture and enter downstream port high-speed eye diagram test mode. CD pin will be low and ENA_HS pin is asserted high when TUSB216 is in HS eye compliance test mode.

If RSTN pin is asserted low and de-asserted high while TUSB216 is operating in HS functional mode, TUSB216 will transition to HS eye compliance test mode and CD asserts low and ENA_HS remains high. When this occurs signal compensation is enabled.

7.4.5 Shutdown Mode

TUSB216 can be disabled when its RSTN pin is asserted low. DP, DM traces are continuous through the device in shutdown mode. The USB channel is still fully operational, but there is neither signal compensation, nor any indication from the CD pin as to the status of the channel.

Table 7-1. CD and ENA_HS Pins in Different Modes

| MODE | CD | ENA_HS |
|--|------|--------|
| Low-speed | HIGH | LOW |
| Full-speed | HIGH | LOW |
| High-speed | HIGH | HIGH |
| High-speed downstream port electrical test | LOW | HIGH |
| Shutdown | LOW | LOW |

7.4.6 I²C Mode

TUSB216 supports 100 KHz I2C for device configuration, status read back and test purposes. For detail electrical and functional specifications refer to I2C Bus Specification 2.1, 2001 – STANDARD MODE. This controller is enabled after SCL and SDA pins are sampled high shortly after return from shutdown. In this mode, the CSR can be accessed by I2C read/write transaction to 7-bit slave address 0x2C. It is advised to set CFG_ACTIVE bit before changing values. This halts the FSM, and reset it after all changes are made. This ensure proper startup into high-speed mode.

7.4.7 BC 1.2 Battery Charging Controller

The TUSB216 main function is a signal conditioner offering the boost and pre-equalization features to the incoming DP/DM signals. For applications in which USB host or hub does not provide USB BC charging controller functionality, the TUSB216 can perform this task when CDP_ENZ is low and BC 1.2 CDP Controller is enabled. When battery charging CDP controller feature is enabled (CDP_ENZ=low) TUSB216 supports CDP charging downstream port functionality. CDP_ENZ has an internal pull up when the pin is left unconnected CDP controller will be disabled.

Table 7-2. TUSB216 Battery Charging Controller Modes

| Pin 11 (CDP_ENZ) | CDP |
|------------------|-----|
| High | NO |
| Low | YES |

7.5 TUSB216 Registers

Table 7-3 lists the memory-mapped registers for the TUSB216 registers. All register offset addresses not listed in Table 7-3 should be considered as reserved locations and the register contents should not be modified.

Table 7-3. TUSB216 Registers

| Offset | Acronym | Register Name | Section |
|--------|---------------|--|--------------------|
| 0x1 | EDGE_BOOST | This register is setting EDGE BOOST level. | Go |
| 0x3 | CONFIGURATION | This register is selecting device mode. | Go |
| 0xE | DC_BOOST | This register is setting DC BOOST level. | Go |
| 0x25 | RX_SEN | This register is setting RX Sensitivity level. | Go |

Complex bit access types are encoded to fit into small table cells. [Table 7-4](#) shows the codes that are used for access types in this section.

Table 7-4. TUSB216 Access Type Codes

| Access Type | Code | Description |
|------------------------|--------|--|
| Read Type | | |
| RH | H R | Set or cleared by hardware Read |
| Write Type | | |
| W | W | Write |
| Reset or Default Value | | |
| -n | | Value after reset or the default value |

7.5.1 EDGE_BOOST Register (Offset = 0x1) [reset = X]

EDGE_BOOST is shown in [Figure 7-1](#) and described in [Table 7-5](#).

Return to [Summary Table](#).

This register is setting EDGE BOOST level.

Figure 7-1. EDGE_BOOST Register

| 7 | 6 | 5 | 4 | 3 | 2 | 1 | 0 |
|---------|---|---|---|----------|---|---|---|
| ACB_LVL | | | | RESERVED | | | |
| RH/W-X | | | | RH/W-X | | | |

Table 7-5. EDGE_BOOST Register Field Descriptions

| Bit | Field | Type | Reset | Description |
|-----|----------|------|-------|---|
| 7-4 | ACB_LVL | RH/W | X | XXXXb (sampled at startup from BOOST pin) 0000b to 1111b range 0x0 = BOOST PIN LEVEL 0 (lowest edge boost setting) 0x3 = BOOST PIN LEVEL 1 0x6 = BOOST PIN LEVEL 2 0xA = BOOST PIN LEVEL 3 0xF = (highest edge boost setting) |
| 3-0 | RESERVED | RH/W | X | These bits are reserved bits and set by hardware at reset. When this register is modified the software should first read these reserved bits and rewrite with the same values |

7.5.2 CONFIGURATION Register (Offset = 0x3) [reset = X]

CONFIGURATION is shown in [Figure 7-2](#) and described in [Table 7-6](#).

Return to [Summary Table](#).

This register is selecting device mode.

Figure 7-2. CONFIGURATION Register

| 7 | 6 | 5 | 4 | 3 | 2 | 1 | 0 |
|----------|---|---|---|---|---|------------|---|
| RESERVED | | | | | | CFG_ACTIVE | |
| RH/W-X | | | | | | RH/W-0x1 | |

Figure 7-2. CONFIGURATION Register (continued)**Table 7-6. CONFIGURATION Register Field Descriptions**

| Bit | Field | Type | Reset | Description |
|-----|------------|------|-------|---|
| 7-1 | RESERVED | RH/W | X | These bits are reserved bits and set by hardware at reset. When this register is modified the software should first read these reserved bits and rewrite with the same values |
| 0 | CFG_ACTIVE | RH/W | 0x1 | Configuration mode After reset, if I2C mode is true (SCL and SDA are both pulled high) set the bit to get into configuration mode and clear to return to normal mode. 0x0 = NORMAL MODE 0x1 = CONFIGURATION MODE |

7.5.3 DC_BOOST Register (Offset = 0xE) [reset = X]

DC_BOOST is shown in [Figure 7-3](#) and described in [Table 7-7](#).

Return to [Summary Table](#).

This register is setting DC BOOST level.

Figure 7-3. DC_BOOST Register

| 7 | 6 | 5 | 4 | 3 | 2 | 1 | 0 |
|----------|---|---|---|---------|---|---|---|
| RESERVED | | | | DCB_LVL | | | |
| RH/W-X | | | | RH/W-X | | | |

Table 7-7. DC_BOOST Register Field Descriptions

| Bit | Field | Type | Reset | Description |
|-----|----------|------|-------|--|
| 7-4 | RESERVED | RH/W | X | These bits are reserved bits and set by hardware at reset. When this register is modified the software should first read these reserved bits and rewrite with the same values |
| 3-0 | DCB_LVL | RH/W | X | XXXXb (sampled at startup from BOOST pin) 0000b to 1111b range 0x0 = BOOST PIN LEVEL 0 (lowest dc boost setting) 0x2 = BOOST PIN LEVEL 1 and 2 0x6 = BOOST PIN LEVEL 3 0xF = (highest dc boost setting) |

7.5.4 RX_SEN Register (Offset = 0x25) [reset = X]

RX_SEN is shown in [Figure 7-4](#) and described in [Table 7-8](#).

Return to [Summary Table](#).

This register is setting RX Sensitivity level.

Figure 7-4. RX_SEN Register

| 7 | 6 | 5 | 4 | 3 | 2 | 1 | 0 |
|--------|---|---|---|---|---|---|---|
| RX_SEN | | | | | | | |
| RH/W-X | | | | | | | |

Figure 7-4. RX_SEN Register (continued)

Table 7-8. RX_SEN Register Field Descriptions

| Bit | Field | Type | Reset | Description |
|-----|--------|------|-------|---|
| 7-0 | RX_SEN | RH/W | X | XXXXb (sampled at startup from RX_SEN pin) 00000000b to 11111111b range 0x0 = RX_SEN LEVEL LOW 0x33 = RX_SEN LEVEL MID 0x66 = RX_SEN LEVEL HIGH 0xFF = (highest setting) |

8 Application and Implementation

Note

Information in the following applications sections is not part of the TI component specification, and TI does not warrant its accuracy or completeness. TI's customers are responsible for determining suitability of components for their purposes, as well as validating and testing their design implementation to confirm system functionality.

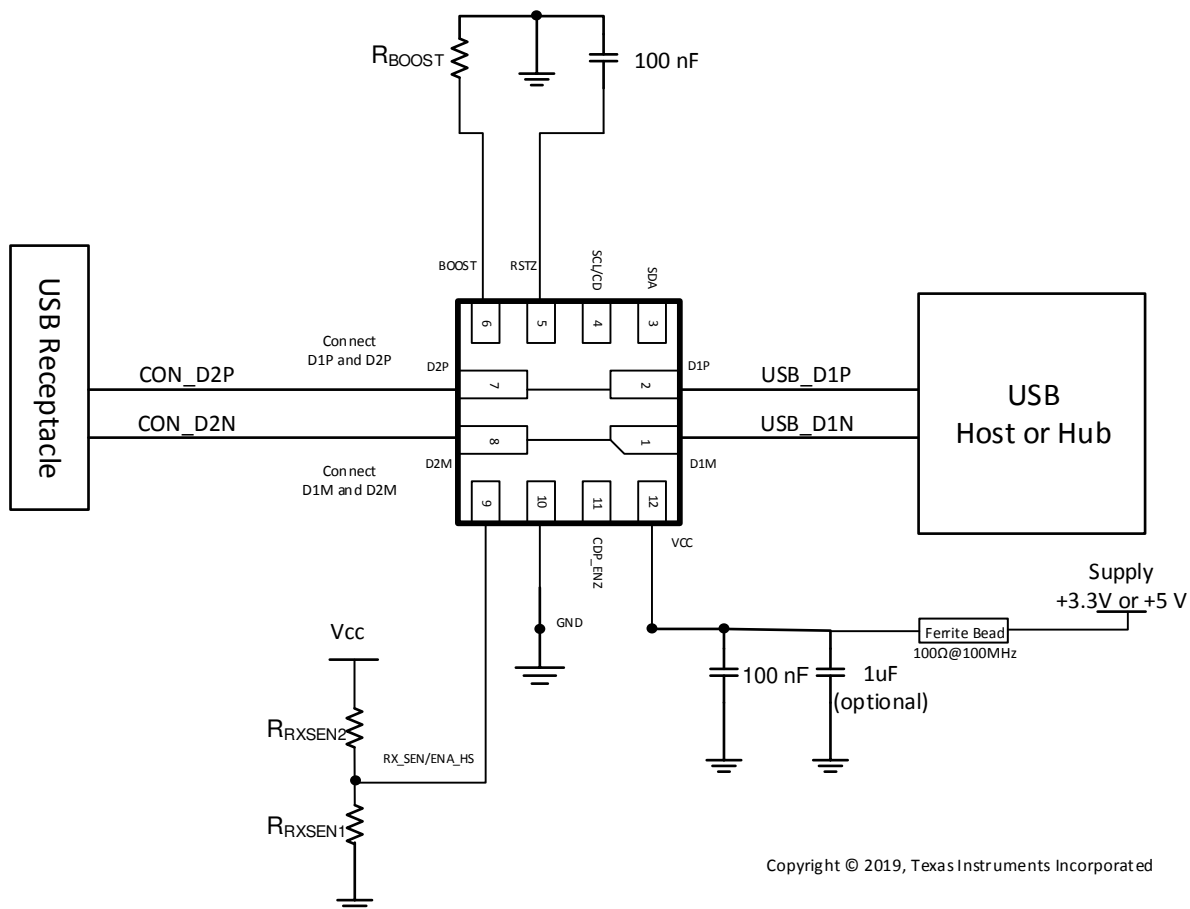
8.1 Application Information

The purpose of the TUSB216 is to re-store the signal integrity of a USB High-speed channel up to the USB connector. The loss in signal quality stems from reduced channel bandwidth due to high loss PCB trace and other components that contribute a capacitive load. This can cause the channel to fail the USB near end eye mask. Proper use of the TUSB216 can help to pass this eye mask.

A secondary purpose is to use the CD pin of the TUSB216 to control other blocks on the customer platform, if so desired.

8.2 Typical Application

A typical application for TUSB216 is shown in [Figure 8-1](#). In this setup, D2P and D2M face the USB connector while D1P and D1M face the USB host. The orientation may be reversed [that is, D2 faces transceiver and D1 faces connector].



Copyright © 2019, Texas Instruments Incorporated

Figure 8-1. TUSB216 Reference Schematic (Design Example with CDP disabled), CDP_ENZ can be left floating but an option for a decoupling capacitor of 0.1μF is recommended so the design is compatible with older devices: TUSB211, TUSB212, TUSB214

8.2.1 Design Requirements

TUSB216 requires a valid reset signal as described in the *power supply recommendations* section. The capacitor at RSTN pin is not required if a micro controller drives the RSTN pin according to recommendations.

For this design example, use the parameters shown in [Table 8-1](#), [Table 8-2](#) and [Table 8-3](#)

Table 8-1. Design Parameters for 5-V Supply With High Loss System

| PARAMETER | | | | VALUE ⁽¹⁾ |
|--|-------------------------------|---------------------------|---------------------|---|
| V _{CC} | | | | 5 V ±10% |
| I ² C support required in system (Yes/No) | | | | No |
| Edge and DC Boost | R_{BOOST} | | BOOST Level | Boost Level 1: R _{BOOST} = 1.8 kΩ |
| | 0-Ω | | 0 | |
| | 1.8 kΩ ±1% | | 1 | |
| | 3.6 kΩ ±1% | | 2 | |
| | Do Not Install (DNI) | | 3 | |
| RX Sensitivity | R_{RXSEN1} | R_{RXSEN2} | RX_SEN Level | High RX Sensitivity Level: R _{RXSEN1} = 37.5 kΩ R _{RXSEN2} = 12.5 kΩ |
| | 22 kΩ - 40 kΩ (27 kΩ typical) | Do Not Install (DNI) | Low | |
| | Do Not Install (DNI) | Do Not Install (DNI) | Medium | |
| | 37.5 kΩ ⁽²⁾ | 12.5 kΩ | High | |

- (1) These parameters are starting values for a high loss system. Further tuning might be required based on specific host and/or device as well as cable length and loss profile. These settings are not specific to a 5V supply system could be applicable to 3.3V supply system as well.
- (2) This resistor is needed for a 5V supply to divide the voltage down so the BOOST pin voltage does not exceed 3.6V

Table 8-2. Design Parameters for 3.3-V Supply With Low to Medium Loss System

| PARAMETER | | | | VALUE ⁽¹⁾ |
|--|-------------------------------|-------------------------------|---------------------|---|
| V _{CC} | | | | 3.3 V ±10% |
| I ² C support required in system (Yes/No) | | | | No |
| Edge and DC Boost | R_{BOOST} | | BOOST Level | Boost Level 0: R _{BOOST} = 0-Ω |
| | 0-Ω | | 0 | |
| | 1.8 kΩ ±1% | | 1 | |
| | 3.6 kΩ ±1% | | 2 | |
| | Do Not Install (DNI) | | 3 | |
| RX Sensitivity | R_{RXSEN1} | R_{RXSEN2} | RX_SEN Level | Medium RX Sensitivity Level: R _{RXSEN1} = DNI R _{RXSEN2} = DNI |
| | 22 kΩ - 40 kΩ (27 kΩ typical) | Do Not Install (DNI) | Low | |
| | Do Not Install (DNI) | Do Not Install (DNI) | Medium | |
| | Do Not Install (DNI) | 22 kΩ - 40 kΩ (27 kΩ typical) | High | |

- (1) These parameters are starting values for a low to medium loss system. Further tuning might be required based on specific host and/or device as well as cable length and loss profile. These settings are not specific to a 3.3V supply system could be applicable to 5V supply system as well.

Table 8-3. Design Parameters for 2.3-V to 4.3-V VBAT Supply With Low to Medium Loss System

| PARAMETER | | | VALUE ⁽¹⁾ |
|--|-------------------------------|---------------------------|--|
| V _{CC} | | | 2.3 V to 4.3V |
| I ² C support required in system (Yes/No) | | | No |
| Edge and DC Boost | R_{BOOST} | BOOST Level | Boost Level 0: R _{BOOST} = 0-Ω |
| | 0-Ω | 0 | |
| | 1.8 kΩ ±1% | 1 | |
| | 3.6 kΩ ±1% | 2 | |
| | Do Not Install (DNI) | 3 | |
| RX Sensitivity | R_{RXSEN1} | R_{RXSEN2} | RX_SEN Level |
| | 22 kΩ - 40 kΩ (27 kΩ typical) | Do Not Install (DNI) | Low |
| | Do Not Install (DNI) | Do Not Install (DNI) | Medium |
| | 37.5 kΩ ⁽²⁾ | 12.5 kΩ | High |

(1) These parameters are starting values for a low to medium loss system. Further tuning might be required based on specific host and/or device as well as cable length and loss profile. These settings are not specific to a 2.3V-4.3V supply system could be applicable to 5V supply system as well.

(2) This resistor is needed for a VBAT supply (2.3V - 4.3V) to divide the voltage down so the BOOST pin voltage does not exceed 3.6V

8.2.2 Detailed Design Procedure

The ideal BOOST setting is dependent upon the signal chain loss characteristics of the target platform. The recommendation is to start with BOOST level 0, and then increment to BOOST level 1, and so on, if permissible. Same applies to the RX sensitivity setting where it is recommended to plan for the required pads or connections to change boost settings, but to start with RX sensitivity level 1.

In order for the TUSB216 to recognize any change to the BOOST setting, the RSTN pin must be toggled. This is because the BOOST pin is latched on power up and the pin is ignored thereafter.

Note

The TUSB216 compensates for extra attenuation in the signal path according to the configuration of the RX_SEN pin. This pin is not 5 V tolerant and therefore when selecting the highest RX sensitivity level, the voltage level at RX_SEN pin must be less than 3.6V.

Placement of the device is also dependent on the application goal. [Table 8-4](#) summarizes our recommendations.

Table 8-4. Platform Placement Guideline

| PLATFORM GOAL | SUGGESTED TUSB216 PLACEMENT |
|---|--|
| Pass USB Near End Mask at the receptacle | Close to measurement point (connector) |
| Pass USB Far End Eye Mask at the plug | Close to USB PHY |
| Cascade multiple TUSB216s to improve device enumeration | Midway between each USB interconnect |

Table 8-5. Table of Recommended Settings

| BOOST and RX_SEN settings ⁽¹⁾ for channel loss | | |
|---|---------|----------------|
| Pre-channel cable length (Between USB PHY and TUSB216) | BOOST | RX_SEN |
| 0-3 meter | Level 0 | Medium or High |
| 2-5 meter | Level 1 | Medium or High |
| Post-channel cable length (Between TUSB216 and inter-connect) | BOOST | RX_SEN |
| 0-2 meter | Level 0 | Medium or High |
| 1-4 meter | Level 1 | Medium or High |

(1) These parameters are starting values for different cable lengths. Further tuning might be required based on specific host and/or device as well as cable length and loss profile.

8.2.2.1 Test Procedure to Construct USB High-speed Eye Diagram

Note

USB-IF certification tests for High-speed eye masks require the *mandated use* of the USB-IF developed test fixtures. These test fixtures do not require the use of oscilloscope probes. Instead they use SMA cables. More information can be found at the USB-IF Compliance Updates Page. It is located under the *Electrical Specifications* section, ID 86 dated March 2013.

The following procedure must be followed before using any oscilloscope compliance software to construct a USB High-speed Eye Mask:

8.2.2.1.1 For a Host Side Application

1. Configure the TUSB216 to the desired BOOST setting
2. Power on (or toggle the RSTN pin if already powered on) the TUSB216
3. Using SMA cables, connect the oscilloscope and the USB-IF host-side test fixture to the TUSB216
4. Enable the host to transmit USB TEST_PACKET
5. Execute the oscilloscope USB compliance software.
6. Repeat the above steps in order to re-test TUSB216 with a different BOOST setting (must reset to change)

8.2.2.1.2 For a Device Side Application

1. Configure the TUSB216 to the desired BOOST setting
2. Power on (or toggle the RSTN pin if already powered on) the TUSB216
3. Connect a USB host, the USB-IF device-side test fixture, and USB device to the TUSB216. Ensure that the USB-IF device test fixture is configured to the 'INIT' position
4. Allow the host to enumerate the device
5. Enable the device to transmit USB TEST_PACKET
6. Using SMA cables, connect the oscilloscope to the USB-IF device-side test fixture and ensure that the device-side test fixture is configured to the 'TEST' position.
7. Execute the oscilloscope USB compliance software.
8. Repeat the above steps in order to re-test TUSB216 with a different BOOST setting (must reset to change)

8.2.3 Application Curves

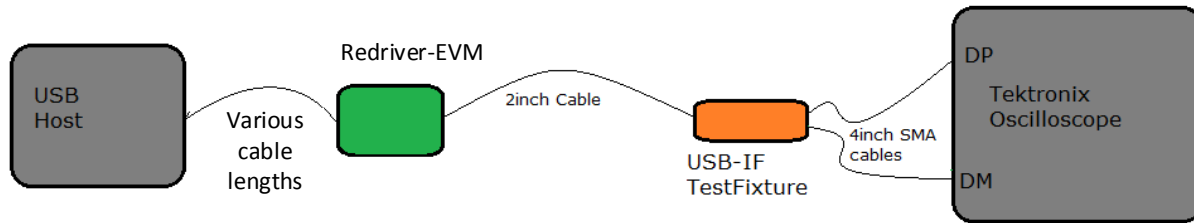


Figure 8-2. Near End Eye Measurement Set-Up With Pre-Channel Cable

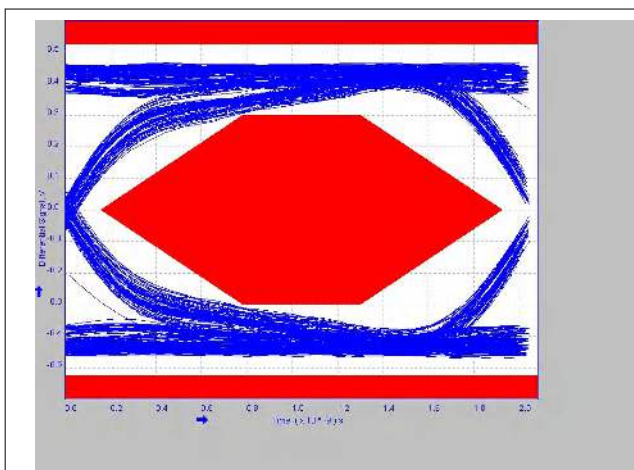


Figure 8-3. 2 Meter Pre-Channel Without TUSB216

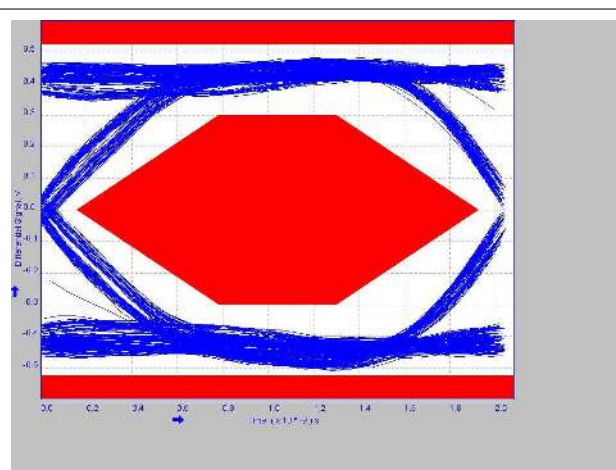


Figure 8-4. 2 Meter Pre-Channel With TUSB216 BOOST=1 RX_SEN=MED

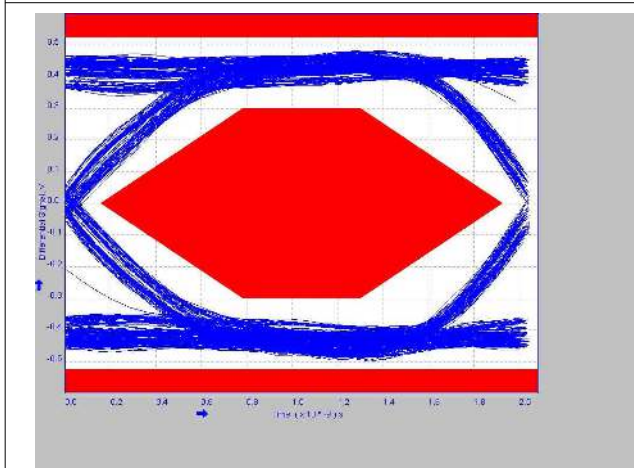


Figure 8-5. 2 Meter Pre-Channel With TUSB216 BOOST=0 RX_SEN=HIGH

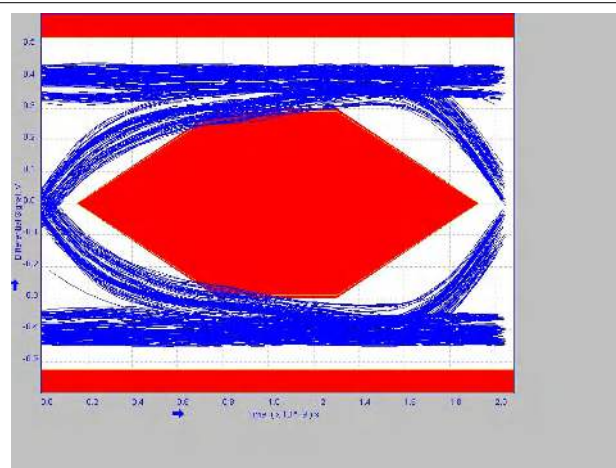
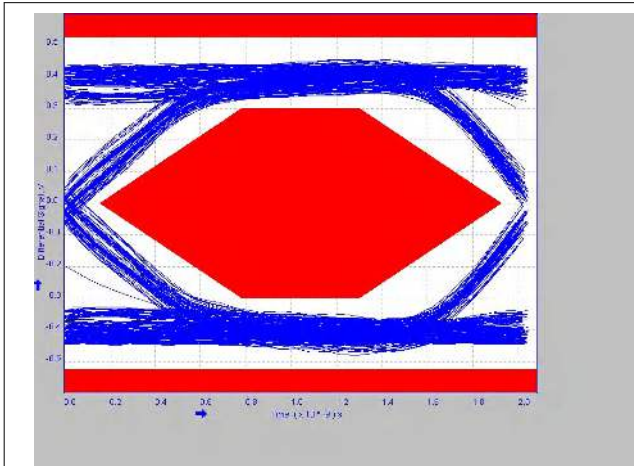


Figure 8-6. 3 Meter Pre-Channel Without TUSB216

8.2.3 Application Curves (continued)



**Figure 8-7. 3 Meter Pre-Channel With TUSB216 BOOST=0
RX_SEN=HIGH**

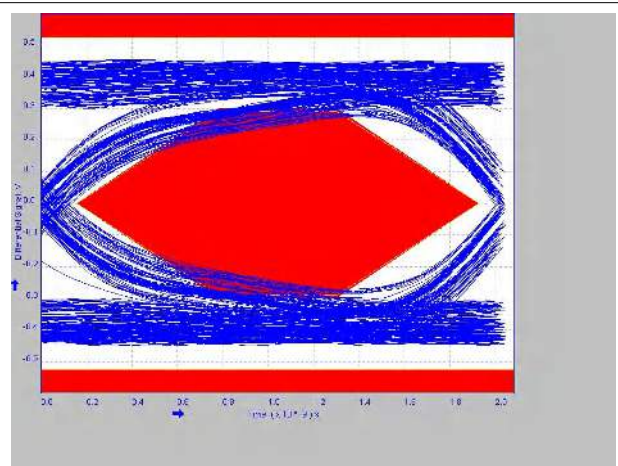
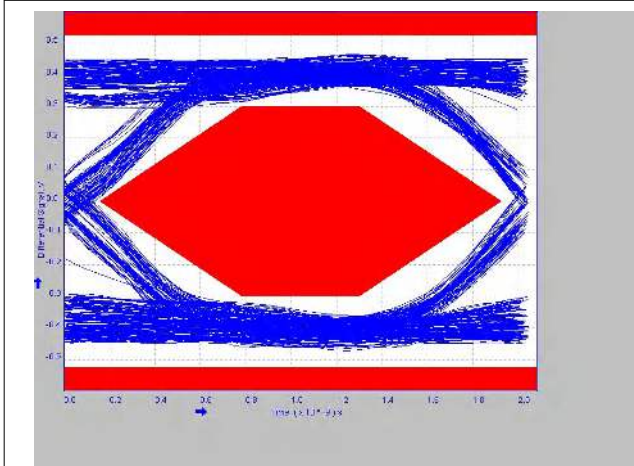
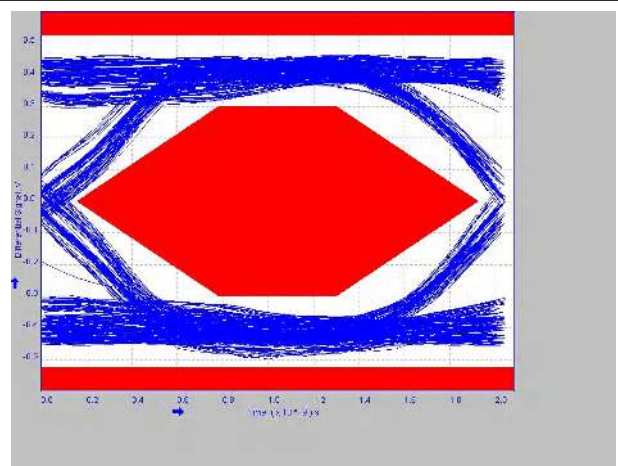


Figure 8-8. 5 Meter Without TUSB216



**Figure 8-9. 5 Meter Pre-Channel With TUSB216 BOOST=1
RX_SEN=MED**



**Figure 8-10. 5 Meter Pre-Channel With TUSB216 BOOST=2
RX_SEN=MED**

8.2.3 Application Curves

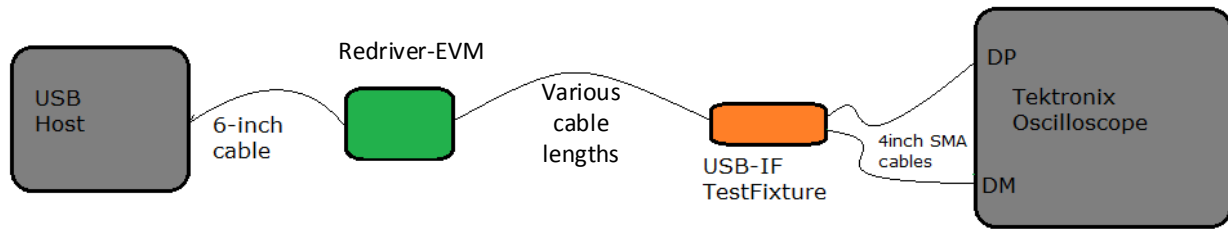


Figure 8-11. Near End Eye Measurement Set-Up With Post-Channel Cable

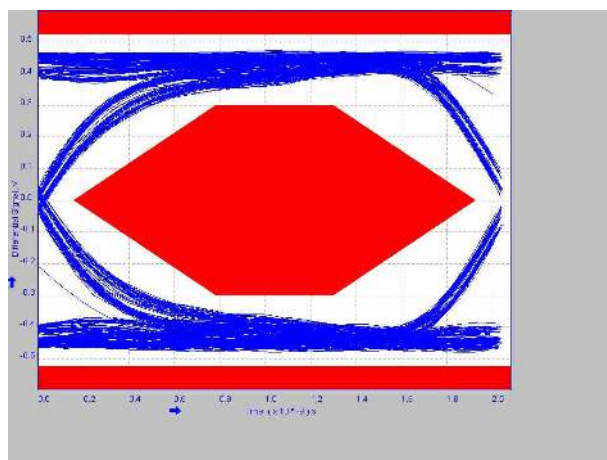


Figure 8-12. 6 Inches Post Channel Without TUSB216

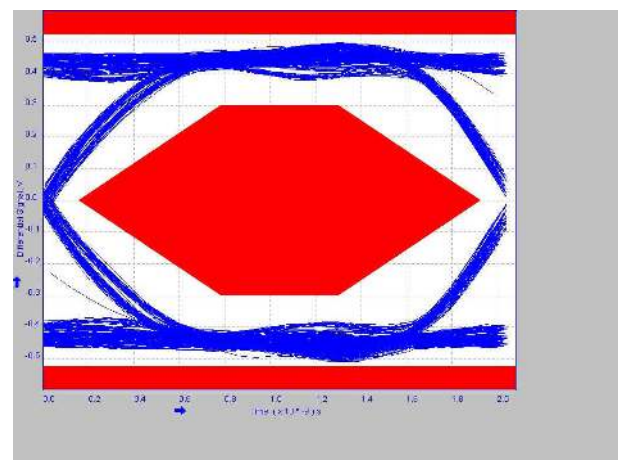


Figure 8-13. 6 Inches Post-Channel With TUSB216 BOOST=0
RX_SEN=HIGH

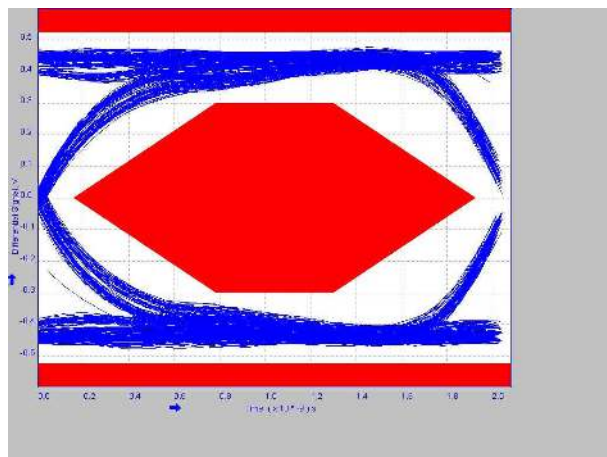


Figure 8-14. 1 Meter Post-Channel Without TUSB216

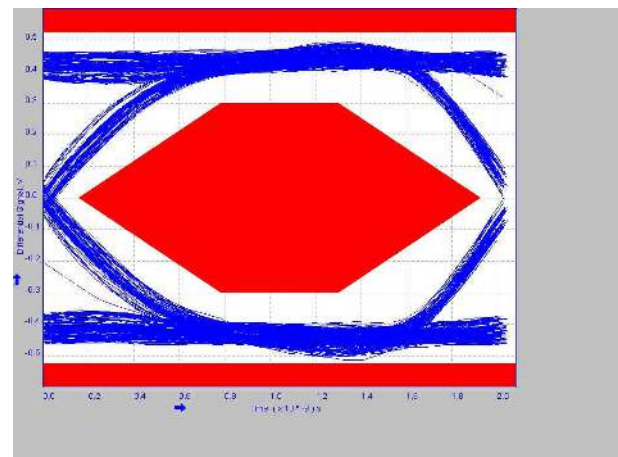


Figure 8-15. 1 Meter Post-Channel With TUSB216 BOOST=0
RX_SEN=MED

8.2.3 Application Curves (continued)

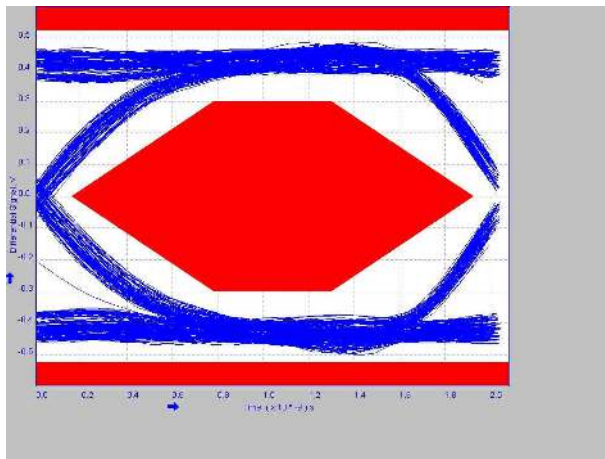


Figure 8-16. 1 Meter Post-Channel With TUSB216 BOOST=0 RX_SEN=HIGH

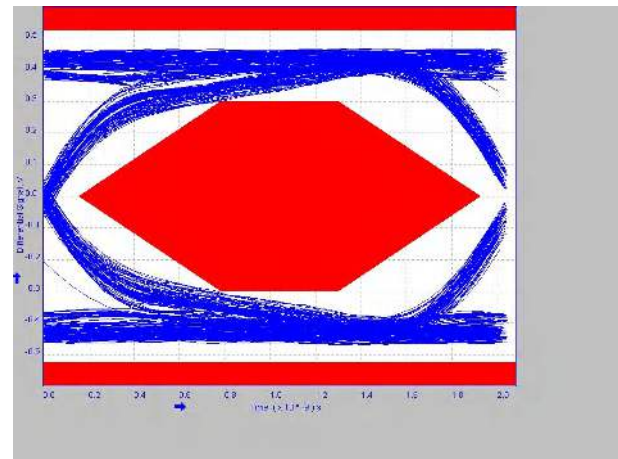


Figure 8-17. 2 Meter Post-Channel Without TUSB216

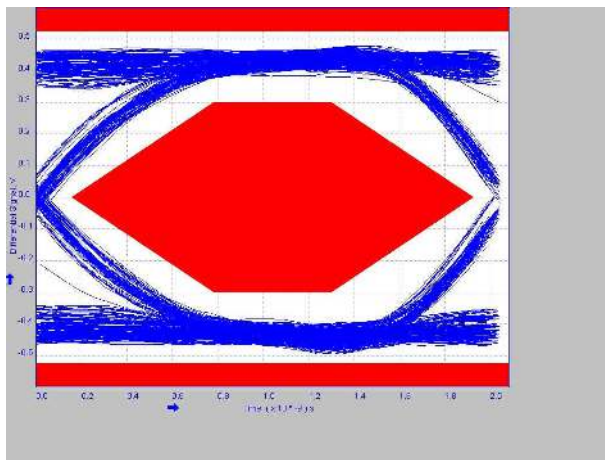


Figure 8-18. 2 Meter Post-Channel With TUSB216 BOOST=1 RX_SEN=MED

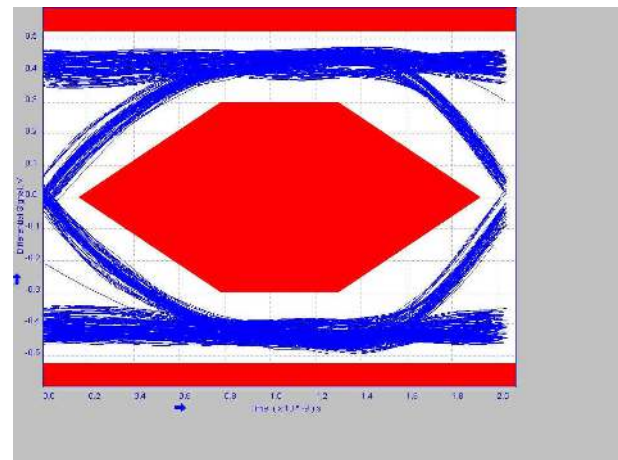


Figure 8-19. 2 Meter Post-Channel With TUSB216 BOOST=1 RX_SEN=HIGH

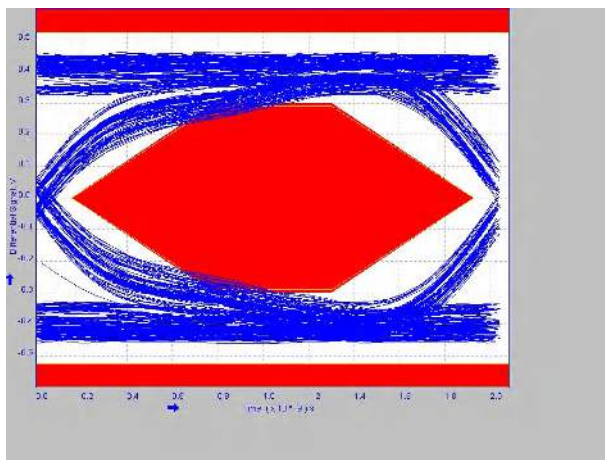


Figure 8-20. 4 Meter Post-Channel Without TUSB216

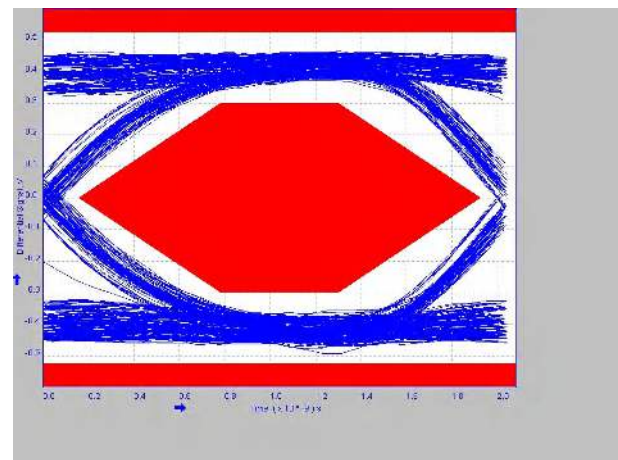


Figure 8-21. 4 Meter Post-Channel With TUSB216 BOOST=2 RX_SEN=MED

9 Power Supply Recommendations

On power up, the interaction of the RSTN pin and power on ramp could result in digital circuits not being set correctly. The device should not be enabled until the power on ramp has settled to minimum recommended supply voltage or higher to ensure a correct power on reset of the digital circuitry. If RSTN cannot be held low by microcontroller or other circuitry until the power on ramp has settled, then an external capacitor from the RSTN pin to GND is required to hold the device in the low power reset state.

The RC time constant should be larger than five times of the power on ramp time (0 to V_{CC}). With a typical internal pullup resistance of 500 k Ω , the recommended minimum external capacitance is calculated as:

$$[\text{Ramp Time} \times 5] \div [500 \text{ k}\Omega] \tag{1}$$

10 Layout

10.1 Layout Guidelines

Although the land pattern has matched trace width to pad width, optimal impedance control is based on the user's own PCB stack-up. The recommendation is to maintain 90 Ω differential routing underneath the device.

10.2 Layout Example

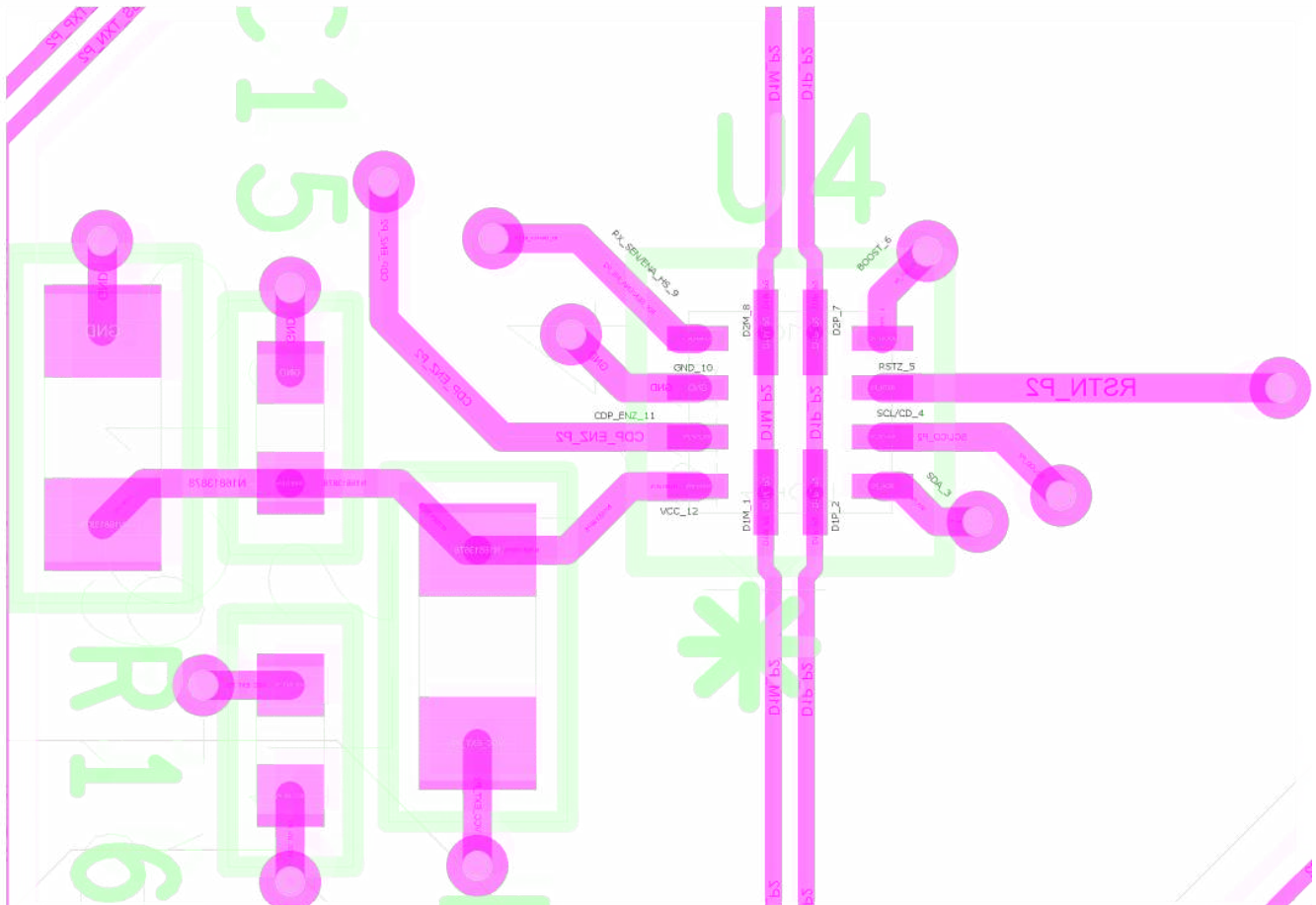


Figure 10-1. Layout Example

11 Device and Documentation Support

11.1 Receiving Notification of Documentation Updates

To receive notification of documentation updates, navigate to the device product folder on ti.com. Click on *Subscribe to updates* to register and receive a weekly digest of any product information that has changed. For change details, review the revision history included in any revised document.

11.2 Support Resources

TI E2E™ [support forums](#) are an engineer's go-to source for fast, verified answers and design help — straight from the experts. Search existing answers or ask your own question to get the quick design help you need.

Linked content is provided "AS IS" by the respective contributors. They do not constitute TI specifications and do not necessarily reflect TI's views; see TI's [Terms of Use](#).

11.3 Trademarks

TI E2E™ is a trademark of Texas Instruments.

All trademarks are the property of their respective owners.

11.4 Electrostatic Discharge Caution



This integrated circuit can be damaged by ESD. Texas Instruments recommends that all integrated circuits be handled with appropriate precautions. Failure to observe proper handling and installation procedures can cause damage.

ESD damage can range from subtle performance degradation to complete device failure. Precision integrated circuits may be more susceptible to damage because very small parametric changes could cause the device not to meet its published specifications.

11.5 Glossary

[TI Glossary](#) This glossary lists and explains terms, acronyms, and definitions.

12 Mechanical, Packaging, and Orderable Information

The following pages include mechanical, packaging, and orderable information. This information is the most current data available for the designated devices. This data is subject to change without notice and revision of this document. For browser-based versions of this data sheet, refer to the left-hand navigation.

PACKAGING INFORMATION

| Orderable Device | Status (1) | Package Type | Package Drawing | Pins | Package Qty | Eco Plan (2) | Lead finish/ Ball material (6) | MSL Peak Temp (3) | Op Temp (°C) | Device Marking (4/5) | Samples |
|------------------|---------------|--------------|-----------------|------|-------------|-----------------|--------------------------------------|----------------------|--------------|-------------------------|-------------------------|
| TUSB216RWBR | ACTIVE | X2QFN | RWB | 12 | 3000 | RoHS & Green | NIPDAU | Level-2-260C-1 YEAR | 0 to 70 | 26 | Samples |
| TUSB216RWBT | ACTIVE | X2QFN | RWB | 12 | 250 | RoHS & Green | NIPDAU | Level-2-260C-1 YEAR | 0 to 70 | 26 | Samples |

(1) The marketing status values are defined as follows:

ACTIVE: Product device recommended for new designs.

LIFEBUY: TI has announced that the device will be discontinued, and a lifetime-buy period is in effect.

NRND: Not recommended for new designs. Device is in production to support existing customers, but TI does not recommend using this part in a new design.

PREVIEW: Device has been announced but is not in production. Samples may or may not be available.

OBSOLETE: TI has discontinued the production of the device.

(2) **RoHS:** TI defines "RoHS" to mean semiconductor products that are compliant with the current EU RoHS requirements for all 10 RoHS substances, including the requirement that RoHS substance do not exceed 0.1% by weight in homogeneous materials. Where designed to be soldered at high temperatures, "RoHS" products are suitable for use in specified lead-free processes. TI may reference these types of products as "Pb-Free".

RoHS Exempt: TI defines "RoHS Exempt" to mean products that contain lead but are compliant with EU RoHS pursuant to a specific EU RoHS exemption.

Green: TI defines "Green" to mean the content of Chlorine (Cl) and Bromine (Br) based flame retardants meet JS709B low halogen requirements of <=1000ppm threshold. Antimony trioxide based flame retardants must also meet the <=1000ppm threshold requirement.

(3) MSL, Peak Temp. - The Moisture Sensitivity Level rating according to the JEDEC industry standard classifications, and peak solder temperature.

(4) There may be additional marking, which relates to the logo, the lot trace code information, or the environmental category on the device.

(5) Multiple Device Markings will be inside parentheses. Only one Device Marking contained in parentheses and separated by a "~" will appear on a device. If a line is indented then it is a continuation of the previous line and the two combined represent the entire Device Marking for that device.

(6) Lead finish/Ball material - Orderable Devices may have multiple material finish options. Finish options are separated by a vertical ruled line. Lead finish/Ball material values may wrap to two lines if the finish value exceeds the maximum column width.

Important Information and Disclaimer:The information provided on this page represents TI's knowledge and belief as of the date that it is provided. TI bases its knowledge and belief on information provided by third parties, and makes no representation or warranty as to the accuracy of such information. Efforts are underway to better integrate information from third parties. TI has taken and continues to take reasonable steps to provide representative and accurate information but may not have conducted destructive testing or chemical analysis on incoming materials and chemicals. TI and TI suppliers consider certain information to be proprietary, and thus CAS numbers and other limited information may not be available for release.

In no event shall TI's liability arising out of such information exceed the total purchase price of the TI part(s) at issue in this document sold by TI to Customer on an annual basis.

TAPE AND REEL INFORMATION



QUADRANT ASSIGNMENTS FOR PIN 1 ORIENTATION IN TAPE



*All dimensions are nominal

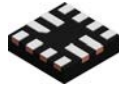
| Device | Package Type | Package Drawing | Pins | SPQ | Reel Diameter (mm) | Reel Width W1 (mm) | A0 (mm) | B0 (mm) | K0 (mm) | P1 (mm) | W (mm) | Pin1 Quadrant |
|-------------|--------------|-----------------|------|------|--------------------|--------------------|---------|---------|---------|---------|--------|---------------|
| TUSB216RWBR | X2QFN | RWB | 12 | 3000 | 180.0 | 9.5 | 1.8 | 1.8 | 0.45 | 4.0 | 8.0 | Q1 |
| TUSB216RWBT | X2QFN | RWB | 12 | 250 | 180.0 | 9.5 | 1.8 | 1.8 | 0.45 | 4.0 | 8.0 | Q1 |

TAPE AND REEL BOX DIMENSIONS


*All dimensions are nominal

| Device | Package Type | Package Drawing | Pins | SPQ | Length (mm) | Width (mm) | Height (mm) |
|-------------|--------------|-----------------|------|------|-------------|------------|-------------|
| TUSB216RWBR | X2QFN | RWB | 12 | 3000 | 189.0 | 185.0 | 36.0 |
| TUSB216RWBT | X2QFN | RWB | 12 | 250 | 189.0 | 185.0 | 36.0 |

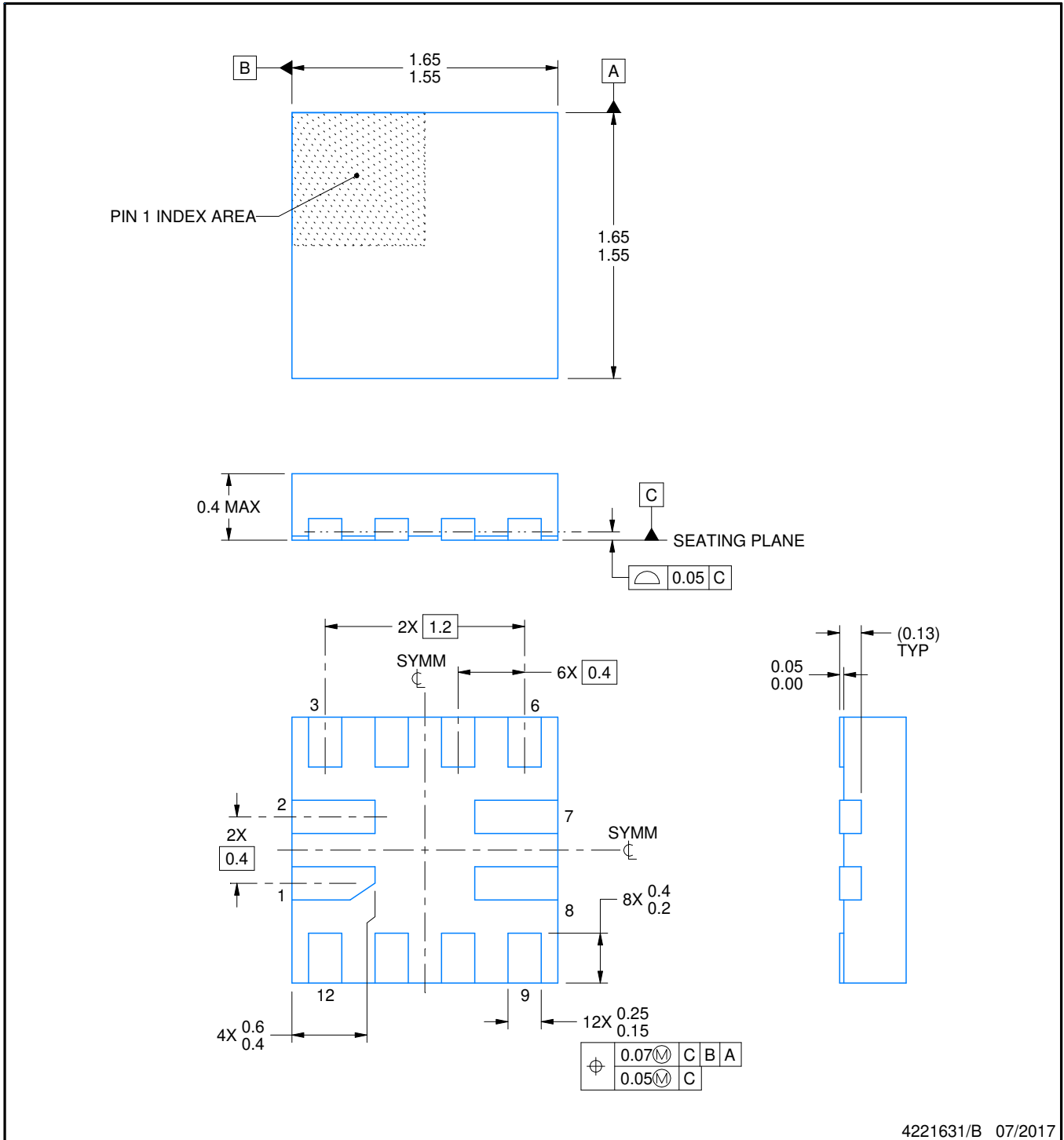
RWB0012A



PACKAGE OUTLINE

X2QFN - 0.4 mm max height

PLASTIC QUAD FLATPACK - NO LEAD



4221631/B 07/2017

NOTES:

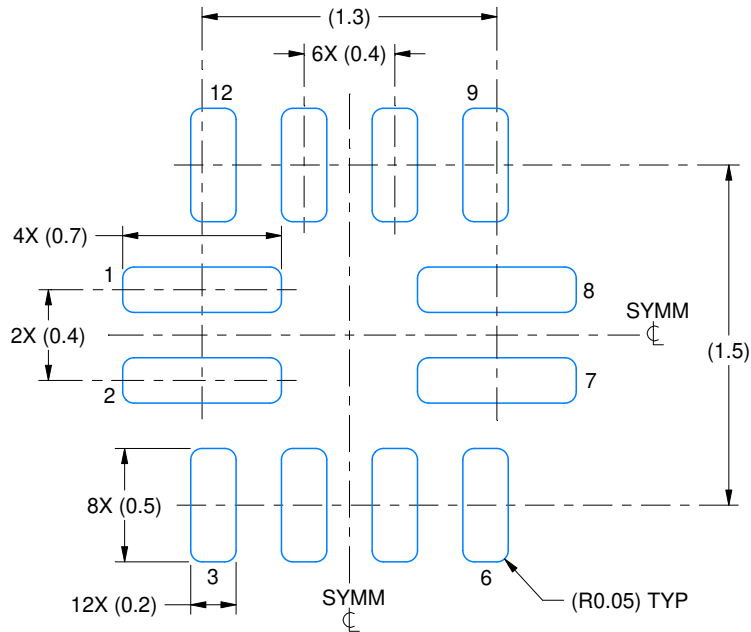
- 1. All linear dimensions are in millimeters. Any dimensions in parenthesis are for reference only. Dimensioning and tolerancing per ASME Y14.5M.
- 2. This drawing is subject to change without notice.

EXAMPLE BOARD LAYOUT

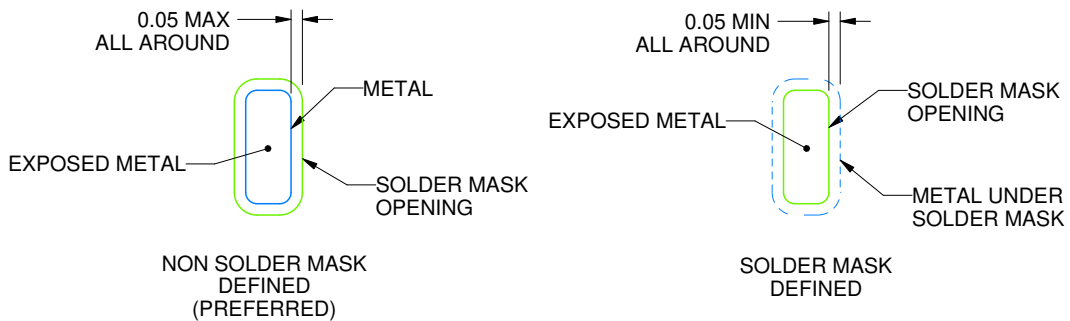
RWB0012A

X2QFN - 0.4 mm max height

PLASTIC QUAD FLATPACK - NO LEAD



LAND PATTERN EXAMPLE
EXPOSED METAL SHOWN
SCALE:30X



SOLDER MASK DETAILS

4221631/B 07/2017

NOTES: (continued)

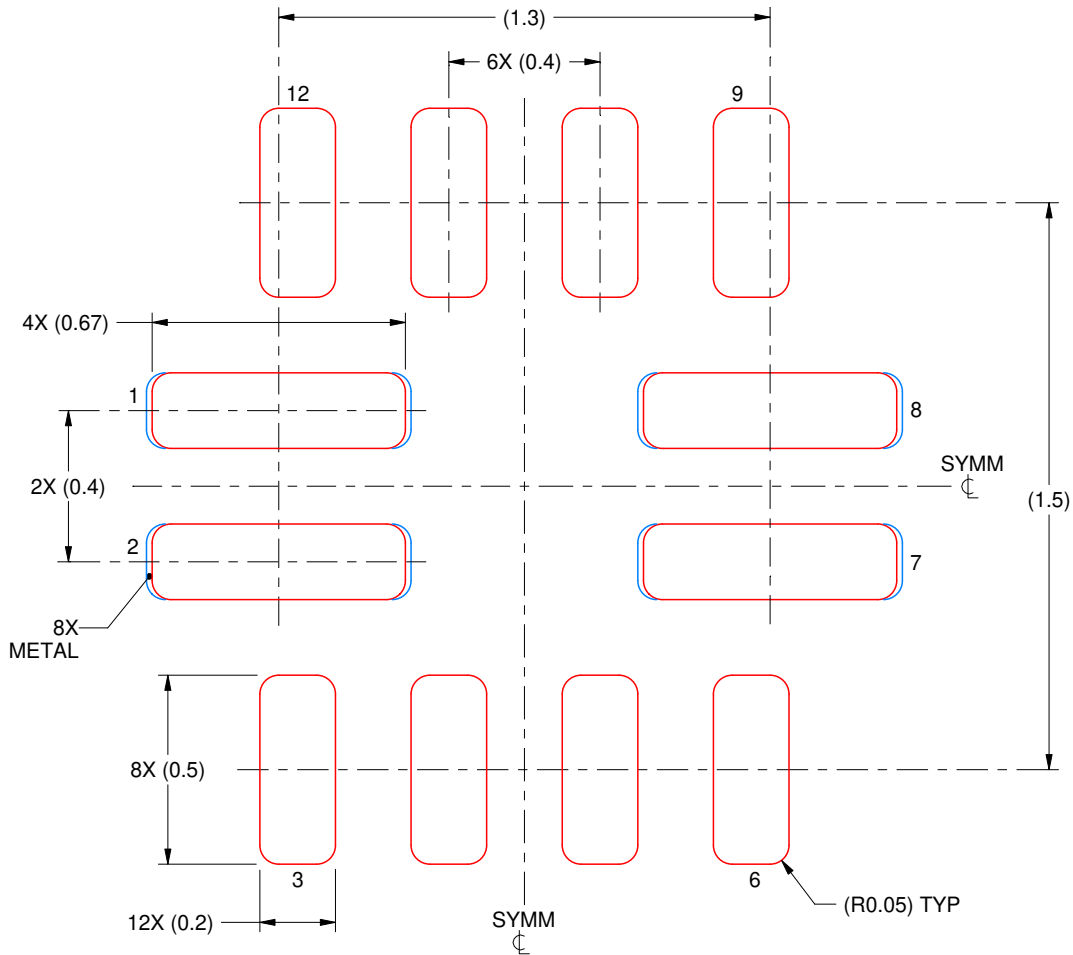
3. For more information, see Texas Instruments literature number SLUA271 (www.ti.com/lit/slua271).

EXAMPLE STENCIL DESIGN

RWB0012A

X2QFN - 0.4 mm max height

PLASTIC QUAD FLATPACK - NO LEAD



SOLDER PASTE EXAMPLE
BASED ON 0.1 mm THICK STENCIL

PADS 1,2,7 & 8
96% PRINTED SOLDER COVERAGE BY AREA
SCALE:50X

4221631/B 07/2017

NOTES: (continued)

4. Laser cutting apertures with trapezoidal walls and rounded corners may offer better paste release. IPC-7525 may have alternate design recommendations.

IMPORTANT NOTICE AND DISCLAIMER

TI PROVIDES TECHNICAL AND RELIABILITY DATA (INCLUDING DATA SHEETS), DESIGN RESOURCES (INCLUDING REFERENCE DESIGNS), APPLICATION OR OTHER DESIGN ADVICE, WEB TOOLS, SAFETY INFORMATION, AND OTHER RESOURCES "AS IS" AND WITH ALL FAULTS, AND DISCLAIMS ALL WARRANTIES, EXPRESS AND IMPLIED, INCLUDING WITHOUT LIMITATION ANY IMPLIED WARRANTIES OF MERCHANTABILITY, FITNESS FOR A PARTICULAR PURPOSE OR NON-INFRINGEMENT OF THIRD PARTY INTELLECTUAL PROPERTY RIGHTS.

These resources are intended for skilled developers designing with TI products. You are solely responsible for (1) selecting the appropriate TI products for your application, (2) designing, validating and testing your application, and (3) ensuring your application meets applicable standards, and any other safety, security, regulatory or other requirements.

These resources are subject to change without notice. TI grants you permission to use these resources only for development of an application that uses the TI products described in the resource. Other reproduction and display of these resources is prohibited. No license is granted to any other TI intellectual property right or to any third party intellectual property right. TI disclaims responsibility for, and you will fully indemnify TI and its representatives against, any claims, damages, costs, losses, and liabilities arising out of your use of these resources.

TI's products are provided subject to [TI's Terms of Sale](#) or other applicable terms available either on [ti.com](https://www.ti.com) or provided in conjunction with such TI products. TI's provision of these resources does not expand or otherwise alter TI's applicable warranties or warranty disclaimers for TI products.

TI objects to and rejects any additional or different terms you may have proposed.

Mailing Address: Texas Instruments, Post Office Box 655303, Dallas, Texas 75265
Copyright © 2023, Texas Instruments Incorporated