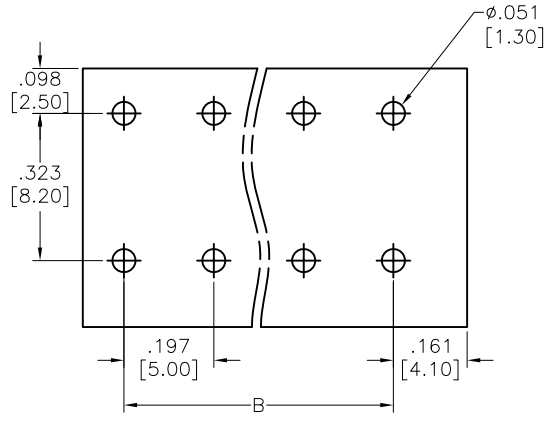
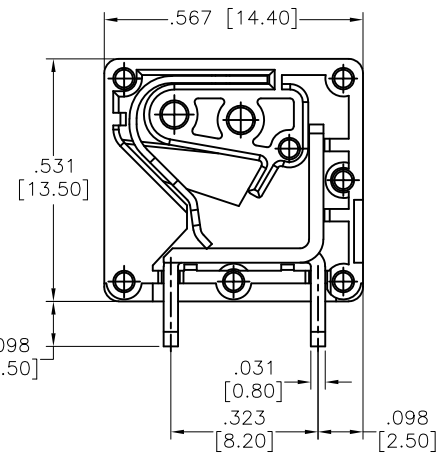
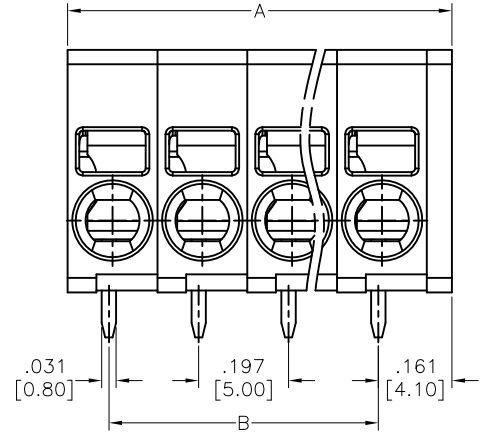
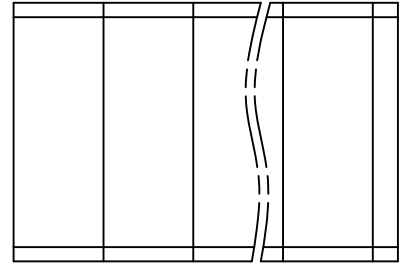
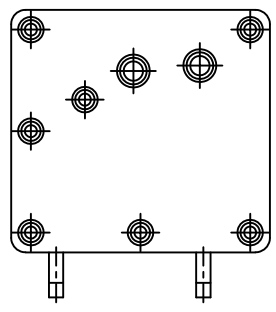


Rev	AWO #	Description	Date	Appr
-		RELEASED	11/26/18	

APPROVED: _____
 DATE: _____ TITLE: _____



RECOMMENDED PCB LAYOUT



WITHOUT COVER

SPECIFICATIONS:

Material:
 Insulator: PA, rated UL 94V-0
 Insulator color: Green
 Contact: Copper Alloy, Tin plated
 Electrical:
 Voltage rating: 300V
 Current rating: 20A
 Dielectric withstanding voltage: 1,600 VAC for 1 minute
 Mechanical:
 Strip length: 9~10mm
 Wire Range: 24~12 AWG
 Temperature Rating:
 Operating temperature: -40°C to +105°C
 Environmental:
 Lead free, RoHS compliant.



Positions: 01 thru XX
 A= .197 [5.00] x No. of Positions + .055 [1.40]
 B= .197 [5.00] x No. of Spaces

UNLESS OTHERWISE SPECIFIED ALL DIMENSIONS ARE MM [INCHES] TOLERANCES: EXCEPT AS NOTED		
INCHES		HOLES
.X ± .10	Ø.X ± .10	
.XX ± .020	Ø.XX ± .015	
.XXX ± .015	Ø.XXX ± .010	
APPROVALS		DATE
DRAWN	AY	11/26/18
CHECKED	AC	11/26/18
APPROVED		

		909 Rahway Avenue, Union, NJ 07083 Phone: 908-687-5000 Fax: 908-687-5710	
		TITLE EURO BLOCK, .197 [5.00] PITCH, HORIZONTAL	
SIZE X	PART NO. EB163A-XX-C	REV. -	
REF: S00067C	SCALE: NTS	SHEET 1 OF 1	