

103682-1 ✓ ACTIVE

AMPMODU | AMPMODU MTE

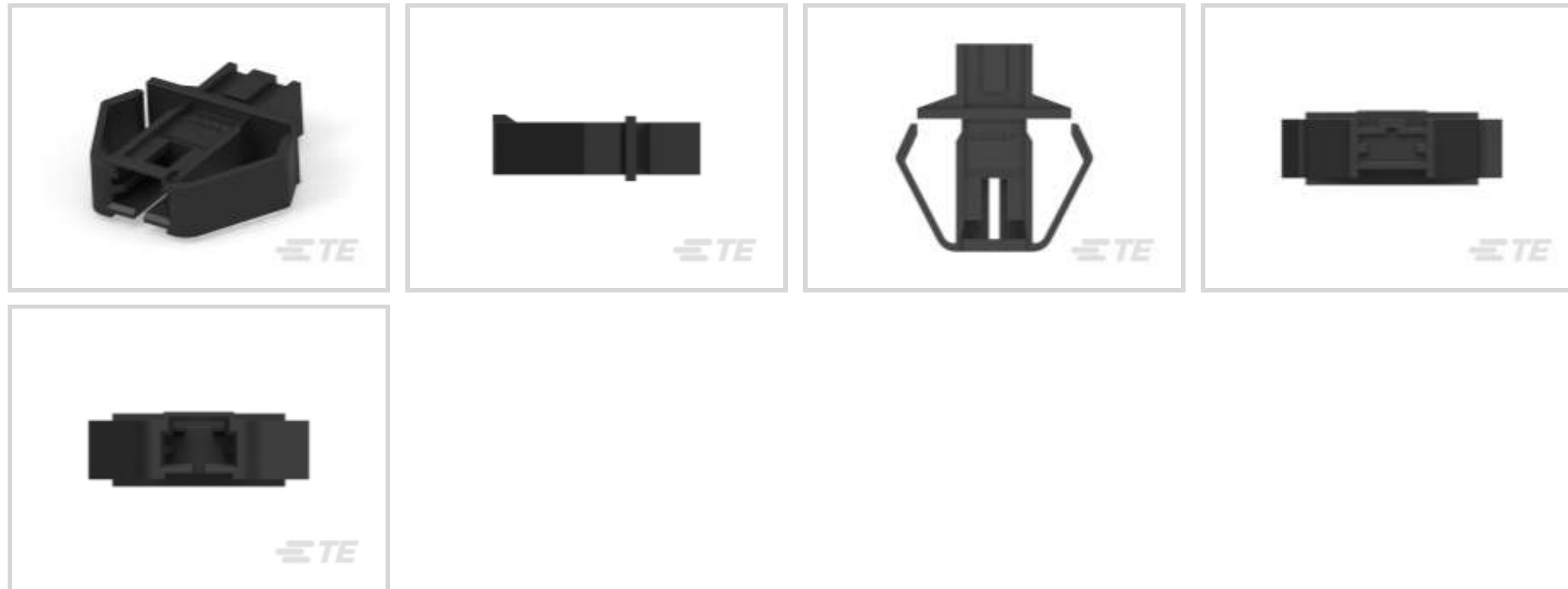
TE Internal #: 103682-1

PCB Connector Shrouds, Shroud, Mating Alignment, 2 Position, 1 Row, 2 Column, Length .73 in [18.67 mm], Height 6.35 mm [.25 in], AMPMODU MTE

[View on TE.com >](#)



Connectors > PCB Connectors > PCB Connector Accessories > PCB Protection & Strain Relief > PCB Connector Shrouds



Connector & Contact Retention Accessory Type: **Shroud**

Mating Alignment: **With**

Number of Positions: **2**

Number of Rows: **1**

Number of Columns: **2**

Features

Product Type Features

Connector & Contact Retention Accessory Type	Shroud
--	--------

Configuration Features

Number of Positions	2
Number of Rows	1
Number of Columns	2

Electrical Characteristics

Termination Resistance	15 mΩ
Insulation Resistance	5000 MΩ
Dielectric Withstanding Voltage (Max)	600 V

Body Features

Primary Product Material	Thermoplastic
Primary Product Color	Black

Contact Features

--	--



CompactPCI	No
------------	----

Mechanical Attachment

Mating Alignment Type	Latched
PCB Mount Retention	Without
Mating Alignment	With

Dimensions

Product Length	18.67 mm [.73 in]
Product Height	6.35 mm [.25 in]
Product Width	25.15 mm [.99 in]

Usage Conditions

Operating Temperature Range	-65 – 105 °C [-85 – 221 °F]
-----------------------------	-----------------------------

Industry Standards

UL Flammability Rating	UL 94V-0
------------------------	----------

Packaging Features

Packaging Method	Package
------------------	---------

Other

Connector Accessory Comment	Insert Pin Receptacle Assembly w/Guide Ribs (only) into shroud.
-----------------------------	---

Product Compliance

[For compliance documentation, visit the product page on TE.com>](#)

EU RoHS Directive 2011/65/EU	Compliant
EU ELV Directive 2000/53/EC	Compliant
China RoHS 2 Directive MIIT Order No 32, 2016	No Restricted Materials Above Threshold
EU REACH Regulation (EC) No. 1907/2006	Current ECHA Candidate List: JUNE 2023 (235) Candidate List Declared Against: JUNE 2023 (235) Does not contain REACH SVHC
Halogen Content	BFR/CFR/PVC Free, but Br/Cl >900 ppm in other sources.
Solder Process Capability	Not applicable for solder process capability

Product Compliance Disclaimer

This information is provided based on reasonable inquiry of our suppliers and represents our current actual knowledge based on the information they provided. This information is subject to change. The part numbers that TE has identified as EU RoHS compliant have a maximum concentration of 0.1% by weight in homogenous materials for lead, hexavalent chromium, mercury, PBB, PBDE, DBP, BBP, DEHP, DIBP, and 0.01% for cadmium, or qualify for an exemption to these limits as defined in the Annexes of Directive 2011/65/EU (RoHS2). Finished electrical and electronic equipment products will be CE marked as required by Directive 2011/65/EU. Components may not be CE marked. Additionally, the part numbers that TE has identified as EU ELV compliant have a maximum concentration of 0.1% by weight in homogenous materials for lead, hexavalent chromium, and mercury, and 0.01% for cadmium, or qualify for an exemption to these limits as defined in the Annexes of Directive 2000/53/EC (ELV). Regarding the REACH Regulation, the information TE provides on SVHC in articles for this part number is based on the latest European Chemicals Agency (ECHA) 'Guidance on requirements for substances in articles' posted at this URL: <https://echa.europa.eu/guidance-documents/guidance-on-reach>

Compatible Parts




TE Part # 104503-1
02 MTE PIN HSG SR RIB .100CL



TE Part # 103648-1
02 MTE RCPT HSG SR RIB .100CL

Also in the Series | AMPMODU MTE




Insertion & Extraction Tools(1)



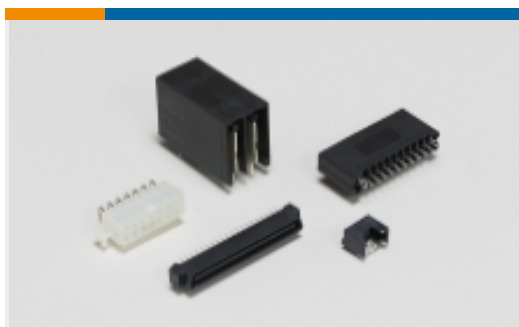
PCB Connector Shrouds(40)



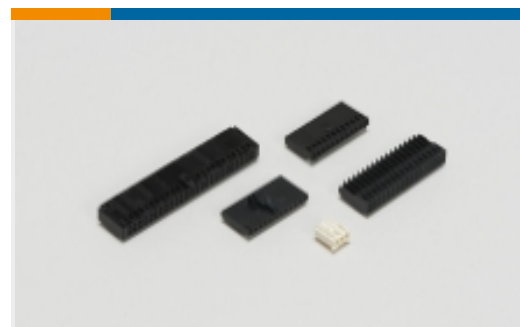
PCB Headers & Receptacles(763)




Ribbon Connector Accessories(1)



Standard Rectangular Connectors(2)



Wire-to-Board Connector Assemblies & Housings(585)



Wire-to-Board Connector Contacts(32)

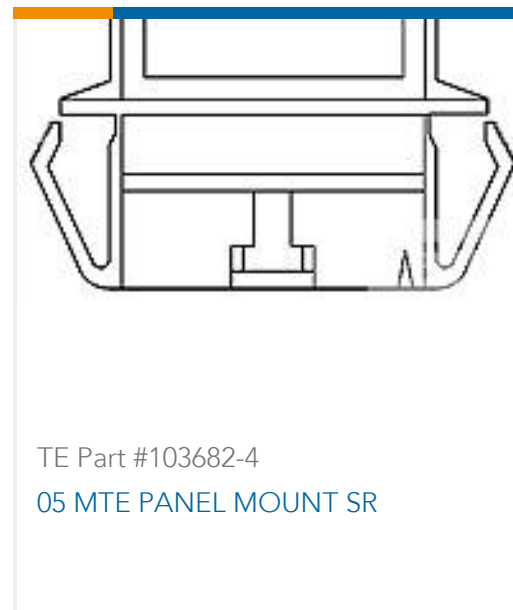
Customers Also Bought



TE Part #4-643813-3
13P MTA100 CONN ASSY POL RIB



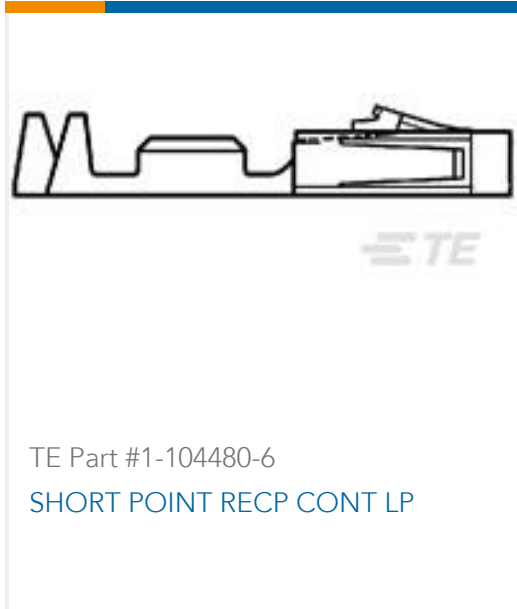
TE Part #794196-1
10P MINI UMN2 PLUG HSG UL94V0



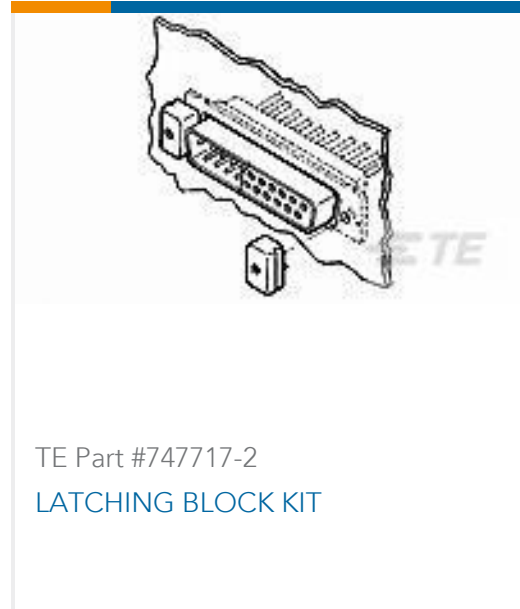
TE Part #103682-4
05 MTE PANEL MOUNT SR



TE Part #1217149-1
187 FASTON,REC.,18-14 AWG,TPBR



TE Part #1-104480-6
SHORT POINT RECP CONT LP



TE Part #747717-2
LATCHING BLOCK KIT



TE Part #6-1393254-4
W92-X1110-30=M6/M7/M9/W6/W7



TE Part #1658680-1
KIT,HDP-22,ENCLSUR,PLUG,SIZE 3



TE Part #1487597-2
USB, A-B, 25/22, BLACK, 2.5M



TE Part #CB4324-000
V4-0.4-0-SP

Documents

Product Drawings

02 MTE PANEL MOUNT SR

English

CAD Files

Customer View Model

[ENG_CVM_CVM_103682-1_N.2d_dxf.zip](#)

English

3D PDF

3D

Customer View Model

[ENG_CVM_CVM_103682-1_N.3d_igs.zip](#)

English

Customer View Model

[ENG_CVM_CVM_103682-1_N.3d_stp.zip](#)

English

By downloading the CAD file I accept and agree to the [Terms and Conditions](#) of use.

Datasheets & Catalog Pages



[AMP MODU MTE Section of Catalog 1307819](#)

English

[AMPMODU_INTERCONNECTION_SYSTEM_SECTION5_CONT](#)

English

[AMPMODU MTE INTERCONNECT SYSTEM](#)

English

[Product Specifications](#)

[Application Specification](#)

English

[Instruction Sheets](#)

[Instruction Sheet \(U.S.\)](#)

English