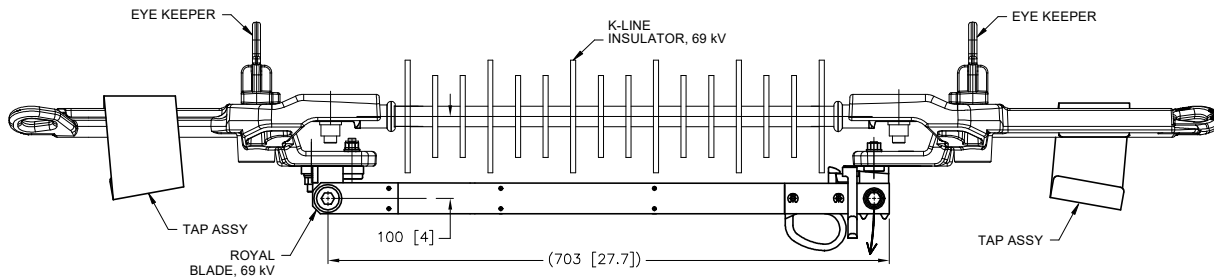
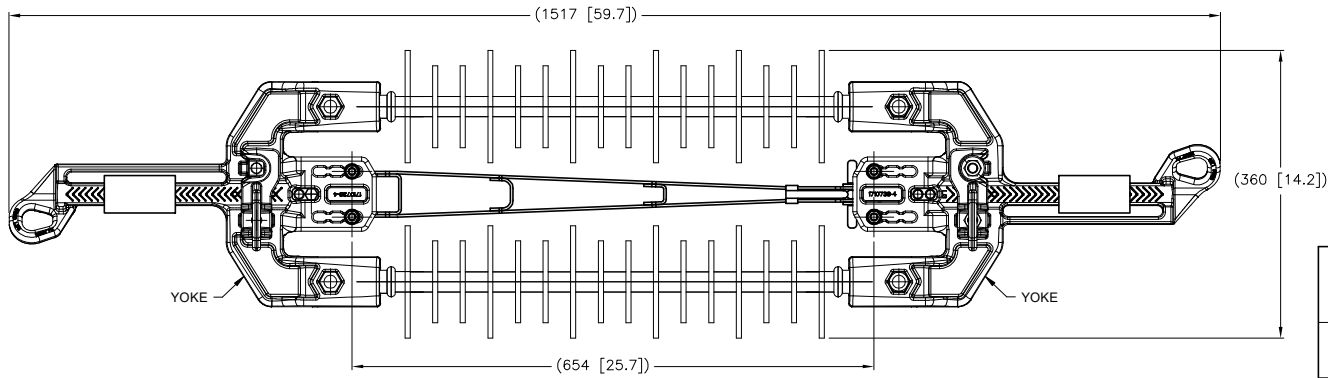


REVISIONS					
P	LTR	DESCRIPTION	DATE	DM	APVD
A1	LC20-0056-12 / ECO-12-010512		28MAY2012	DM	BJ
B	LC20-0031-16 / ECO-16-005675		14APR2016	DM	BJ
C	LC20-0085-16 / ECO-16-011010		21JUL2016	DM	BJ
C1	LC20-0020-17 / ECO-17-001984		21FEB2017	DM	BJ
D	LC20-0060-19 / ECO-19-010173		29JUN2019	DM	BJ
E	LC20-0114-19 / ECO-19-016005		05NOV2019	DM	BJ



40,000 AMPERE RMS, ASYMMETRICAL	25,000 AMPERE RMS, SYMMETRICAL	900 AMPERE RMS	60 HERTZ	350 kV	69 kV AC
MOMENTARY CURRENT	THREE SECOND CURRENT	CONTINUOUS CURRENT ALLOWABLE RATING: (PER ANSI C37-32.3.2.1 2002)	FREQUENCY	BASIC IMPULSE INSULATION LEVEL (BIL)	VOLTAGE
RATINGS					

1. BODY STRENGTH: 10,000 lbs.
PULLING EYE STRENGTH: 6000 lbs.
2. FOR INLINE DISCONNECT SWITCH ASSEMBLY W/O TAPS, REFER TO 1710736-X SERIES PART NUMBERS.
3. BLADE DETAIL MAY NOT BE EXACTLY AS SHOWN.
4. 1710737-9 WILL BE REPLACED BY 1-1710737-0 IN THE FUTURE.

#2 (6/1) 1/0 (6/1) 2/0 (6/1)	#2 1/0 2/0	X-SMALL	1-83843-4	1-1710737-0
1/0 (6/1) 2/0 (6/1)	1/0 2/0	X-SMALL	1-83843-0	1710737-9
795 (24/7) (26/7), (30/7) (30/19), (54/7)	954	X-LARGE	1-83843-1	1710737-8
605 (30/19) 636 (26/7) (24/7), (30/19) 666.6 (24/7) (26/7)	715.5, 750, 795	X-LARGE	83843-6	1710737-7
477.0 (30/7) 556.5 (24/7) (26/7), (30/7) 605 (24/7) (26/7) 636 (18/1) (36/1)	600, 636, 650, 700	X-LARGE	83843-5	1710737-6
477.0 (26/7) 556.5 (18/1)	556.5	LARGE	83843-4	1710737-5
397.5 (18/1) (24/7), (26/7) (30/7) 477.0 (18/1)	450, 477, 500	LARGE	83843-3	1710737-4
266.8 (26/7) 336.4 (18/1) (26/7), (30/7)	397.5 336.4, 350	SMALL	83843-2	1710737-3
266.8 (18/1)	266.8	SMALL	83843-1	1710737-2
3/0 (6/1) 4/0 (6/1)	4/0	SMALL	83843-7	1710737-1
ACSR	AAC	YOKE SIZE IN ILD ASSEMBLY	REPLACEMENT TAP P/N	PART NO.

THIS DRAWING IS A CONTROLLED DOCUMENT. DWG: D. MURUGIAH 12FEB2010
CHK: S. KAMEL 29MAR2010
APPV: B. JOHNSON 29MAR2010

TE TE Connectivity

NAME: INLINE DISCONNECT SWITCH ASSEMBLY WITH TAPS, AMPACT, 69 kV, 900 Amp

PRODUCT SPEC: -
APPLICATION SPEC: -

SIZE: A2 CAGE CODE: 00779 DRAWING NO: 1710737 RESTRICTED TO: -
WEIGHT: 0

CUSTOMER DRAWING SCALE: NTS SHEET: 1 of 1 REV: E