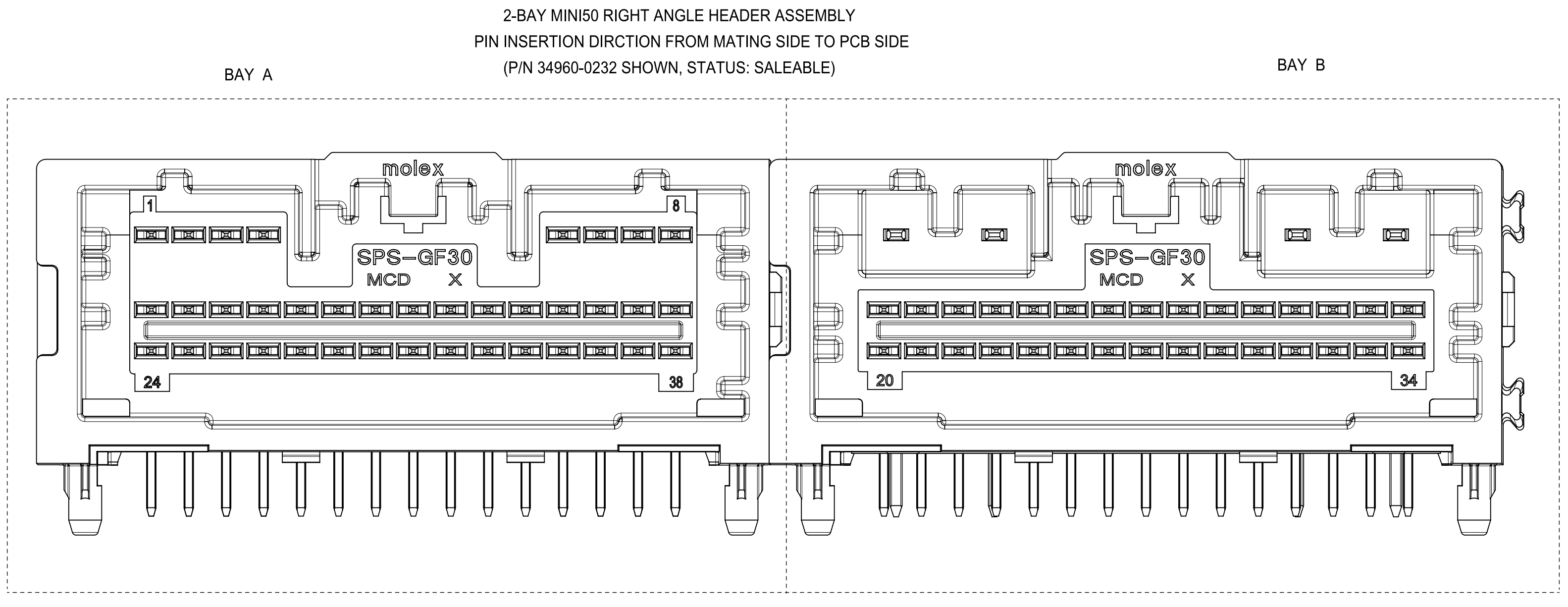
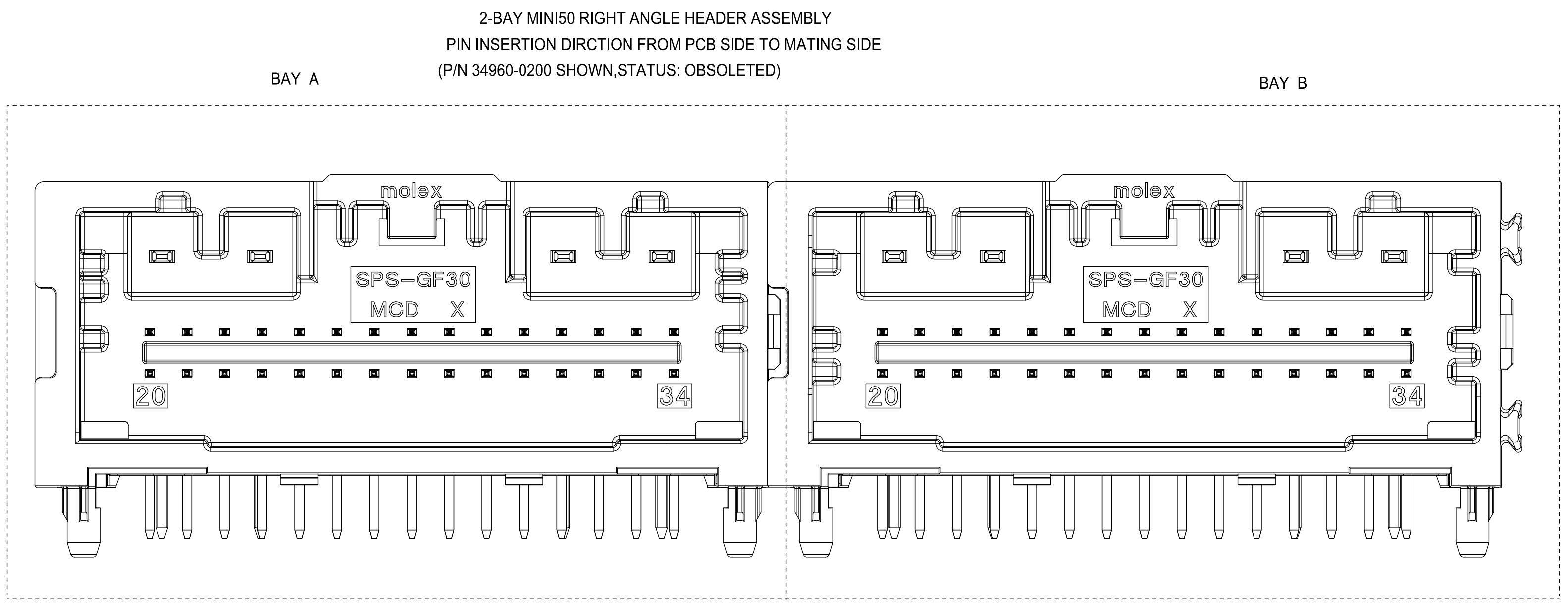


TABLE OF CONTENTS	
SHEET NO.	SHEET DESCRIPTION
1	NOTES,INSPECTION BALLOON NUMBER LOG, REV.COLUMN, 2-BAY MINI50 RIGHT ANGLE HEADER ASSEMBLY
2	CHART FOR MULTIBAY CONFIGURATION FOR UL94 HB DEPOLULATED HEADER PIN CONFIGURATION
3	CHART FOR MULTIBAY CONFIGURATION FOR UL94 V0 HB/V0 HEADER DIFFERENCE VIEW
4	DETAIL DIMENSION VIEW REFERENCE PCB LAYOUT



- NOTES: VALID UNLESS OTHERWISE SPECIFIED
- GENERAL:
 - PRODUCT SPECIFICATION:
 - HB:PS-34959-001
 - V0:2133550000-PS
 - APPLICATION SPECIFICATION: AS-34959-001
 - PACKAGING SPECIFICATION PER MOLEX DRAWING PK-31302-070 (TRAY)
 - PACKAGING SPECIFICATION PER MOLEX DRAWING PK-31301-688 (TUBE)
 - COSMETIC SPECIFICATION: PS-45499-002 Class B
 - GEOMETRIC TOLERANCING: SEE DIN 16901 TABLE
 - MATES WITH: SD-34959-030
 - DESIGN: MATERIALS:
 - SHROUD (PLASTIC HOUSING):
 - HB RESIN - SPS
 - V0 RESIN - SPS
 - PIN ALIGNMENT PLATE:
 - HB RESIN - SPS
 - V0 RESIN - SPS
 - COLOR - BLACK
 - 0.50mm BLADES:
 - BASE MATERIAL: BRASS
 - PLATING TYPE: AS NOTED
 - 1.20mm BLADES:
 - BASE MATERIAL: BRASS
 - PLATING TYPE: AS NOTED
 - PLATING REQUIREMENTS:
 - UNDERPLATING - OVERALL NICKEL
 - OVERPLATING - OVERALL REFLOW TIN
 - FOR DESCRIPTION OF INDIVIDUAL BAYS, REFER TO THE FOLLOWING SINGLE BAY DRAWINGS:
 - PART NUMBER: 34961-03XX, REFER TO SD-34961-030
 - PART NUMBER: 34961-13XX, REFER TO SD-34961-130
 - PART NUMBER: 213355XXXX, REFER TO SD-34961-030

REV	REV DESCRIPTION	ECN SAP NO.
B8	SHEET 2: ADDED NEW PART NUMBER IN CHART SHEET 2: UPDATED PRODUCT STATUS IN CHART	CO-000003185
B7	SHEET 1: ADDED NEW PART NUMBER IN CHART	CO-000002186
B6	1.SHEET 1:UPDATED NOTES 2.SHEET 2:ADDED FLAMMABILITY UL94 DESCRIPTION IN FORM 3.SHEET 3:ADDED NEW PART NUMBER :3001960200 4.SHEET 3:ADDED SHEET 3 TO SHOW HB / V0 VERSION DIFFERENCE 5.SHEET 4:UPDATED DIM 1: 2.75±0.50 WAS 2.74±0.50	CO-000001013
B5	CREATED NEW REVISION TO UPLOAD DRAWING IN MDS SYSTEM	CO-000000910
B4	SHEET 1: ADDED VIEW OF 2BAY DIFFERENET PIN INSERTION DIRCTION'S HEADER SHEET 2: ADDED NEW PART NUMBER	CO-000000910
B3	1. SHEET 1: UPDATED NOTES INFORMATION 2. SHEET 2: ADDED NEW PART NUMBER 34960-7281, 34960-0281, 34960-7291 3. SHEET 2: ADDED NEW PART NUMBER PIN CONFIGURATION INFORMATION 4. SHEET 3: ADDED DIM 3a, DIM 6a 5. SHEET 3: REMOVED DIM 2, DIM 4, DIM5, DIM 7	663659
B2	1. OBSOLETE PART NUMBER: 34960-0210; 34960-0220; 34960-0240; 34960-0250 2. ADDED NEW DIMENSION ITEM 2a & 2b IN SHEET 3 3. ADDED SHEET 2 TO SHOW DEPULULATED HEADER PIN CONFIGURATION AND DIMENSIONAL CHART FOR MULTIBAY CONFIGURATION 4. REMOVED BALLOON NUMBER:8,9,10,11 IN SHEET 3 5. ADDED HOLE DIMENSION F IN PCB LAYOUT IN SHEET 3	640173
B1	ADDED NEW PART NUMBER: 34960-0271 IN THE CHART ON SHEET 1	623488
B	1. OBSOLETE PART NO 349600230 2. ADDED NEW NUMBER: 34960-0261 IN THE CHART ON SHEET 1	618118
A10	ADDED NEW P/N: 34961-7261 IN THE BOM ON SHEET 1.	611155
A9	ADDED NEW P/N: 34960-0211 \ 34960-0221 \ 34960-0231 34960-0241\34960-0251 IN THE BOM ON SHEET 1. ADDED PRODUCT STATUS IN THE BOM ON SHEET 1.	606688

DIN 16901	CODE LETTER	NOMINAL DIMENSION RANGE													
		OVER UP TO	0	1	3	6	10	15	22	30	40	53	70	90	120
PRECISION ENGINEERING	A		±0.10	±0.12	±0.14	±0.16	±0.20	±0.22	±0.24	±0.26	±0.28	±0.31	±0.35	±0.40	±0.50
	B		±0.05	±0.06	±0.07	±0.08	±0.10	±0.12	±0.14	±0.16	±0.18	±0.21	±0.25	±0.30	±0.40

A: FOR NON-MOLD RELATED DIMENSIONS (ACROSS PARTING LINE)
B: FOR MOLD RELATED DIMENSIONS (WITHIN MOLD COMPONENTS)

INSPECTION BALLOON NUMBER LOG	
PER DRAWING REVISION:	B8
LAST BALLOON NUMBER USED:	6a
ADDED BALLOON NUMBERS:	
REMOVED BALLOON NUMBERS:	

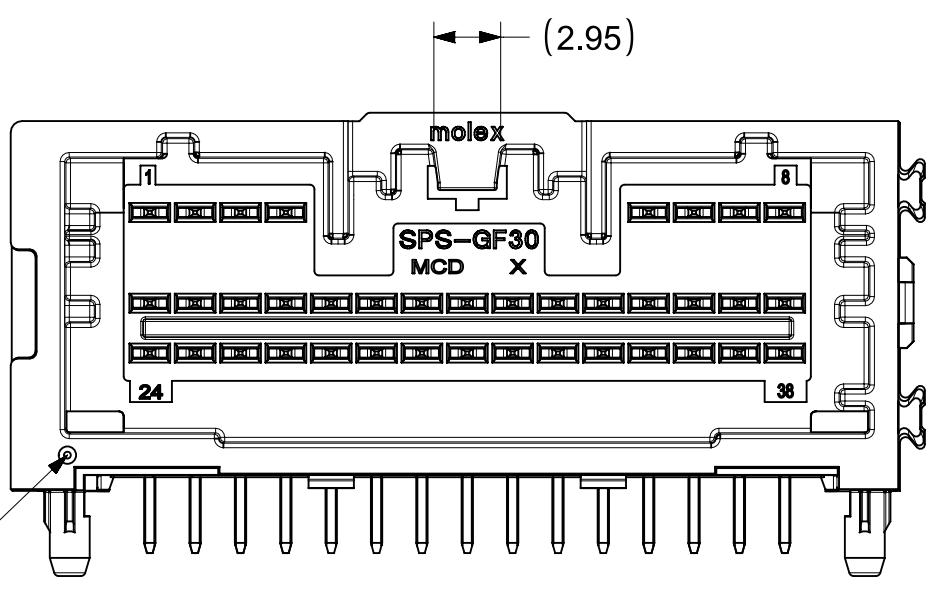
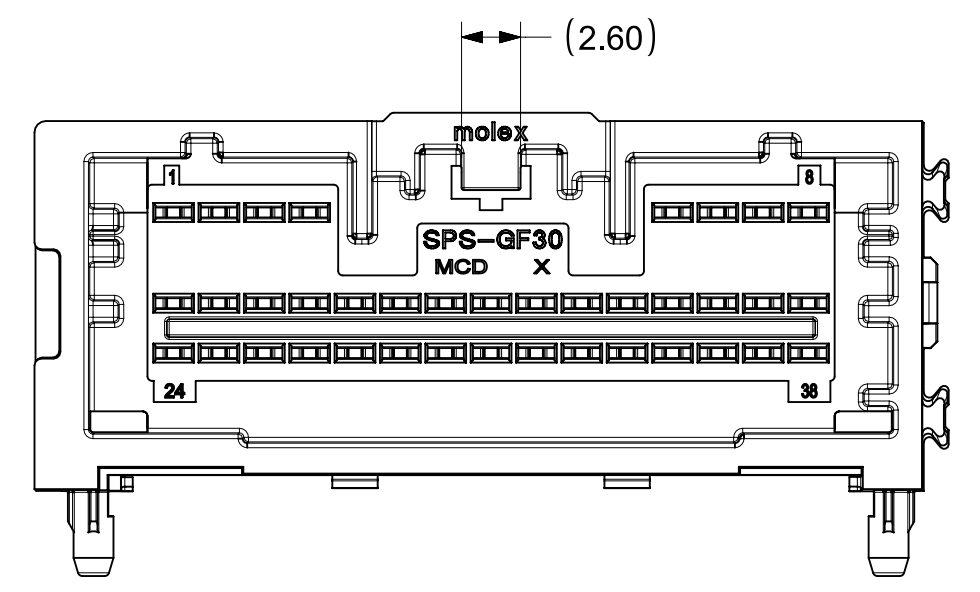
FUNCTIONAL SYMBOLS	THIS DRAWING CONTAINS INFORMATION THAT IS PROPRIETARY TO MOLEX ELECTRONIC TECHNOLOGIES, LLC AND SHOULD NOT BE USED WITHOUT WRITTEN PERMISSION	
FA = 0	DIMENSION UNITS: mm	SCALE: 5:1
FC = 0	CURRENT REV DESC: REFER TO REVISION COLUMN	
FD = 0	GENERAL TOLERANCES (UNLESS SPECIFIED)	
	ANGULAR TOL ± 0.5°	
DIVISIONAL SYMBOLS	4 PLACES ±	
	3 PLACES ±	
	2 PLACES ±	
	1 PLACE ±	
	0 PLACES ±	
DRAFT WHERE APPLICABLE MUST REMAIN WITHIN DIMENSIONS	THIRD ANGLE PROJECTION	STATUS: Production
		DRWN: Shanks Wu
		CHK'D: Ringo Hu
		APPR: Colin Zhang
	DRAWING: D-SIZE	SERIES: 34960
		2023-05-04
		2023-05-19
		2023-05-31
	MATERIAL NUMBER: SD-34960-0200	DOC TYPE: PSD
	CUSTOMER: GENERAL MARKET	DOC PART: 001
		REVISION: B8
		SHEET NUMBER: 1 OF 4

TABLE OF CONTENTS	
SHEET NO.	SHEET DESCRIPTION
3	CHART FOR MULTIBAY CONFIGURATION FOR UL94 V0 SHOW HB/V0 VERSION DIFFERENCE

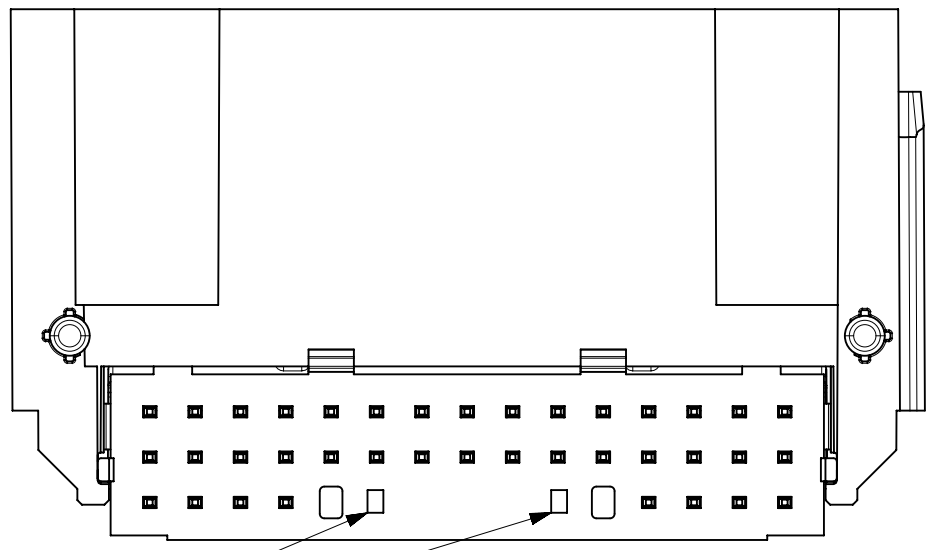
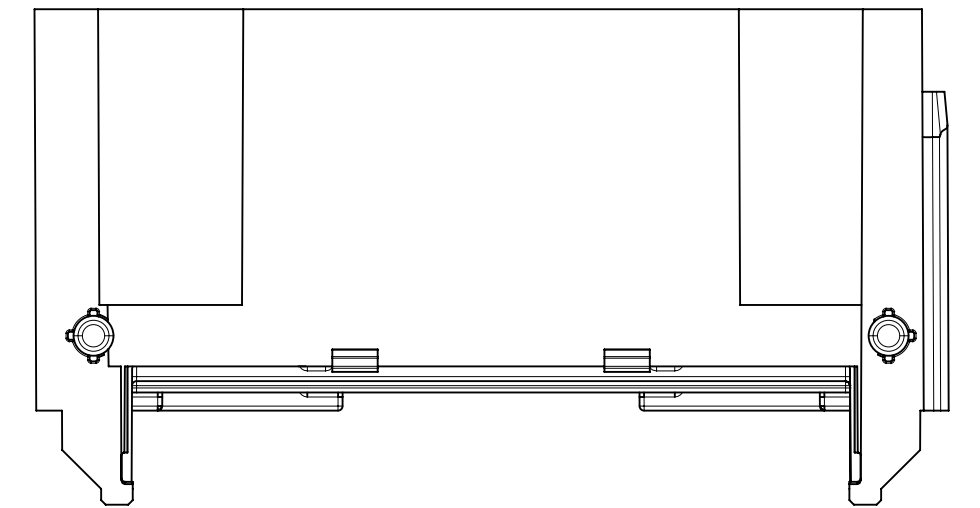
CHART FOR MULTIBAY CONFIGURATION(V0 VERSION):

2 BAY PART NUMBER (TUBE PKG)	2 BAY PART NUMBER (TRAY PKG)	BAY A						BAY B						STATUS
		P/N	INTERFACE TYPE	POL	COLOR	QTY OF PINS	FLAMMABILITY UL94	P/N	INTERFACE TYPE	POL	COLOR	QTY OF PINS	FLAMMABILITY UL94	
TBD	3001960200	2133550383	38CKT	UPDATED A	BLACK	38	V0	2133550344	34CKT	B	GREY	34	V0	SALEABLE

HB / V0 VERSION DIFFERENCE:



DEPRESSION FEATURE ADDED TO V0 PART TO DISTINGUISH FROM HB PART



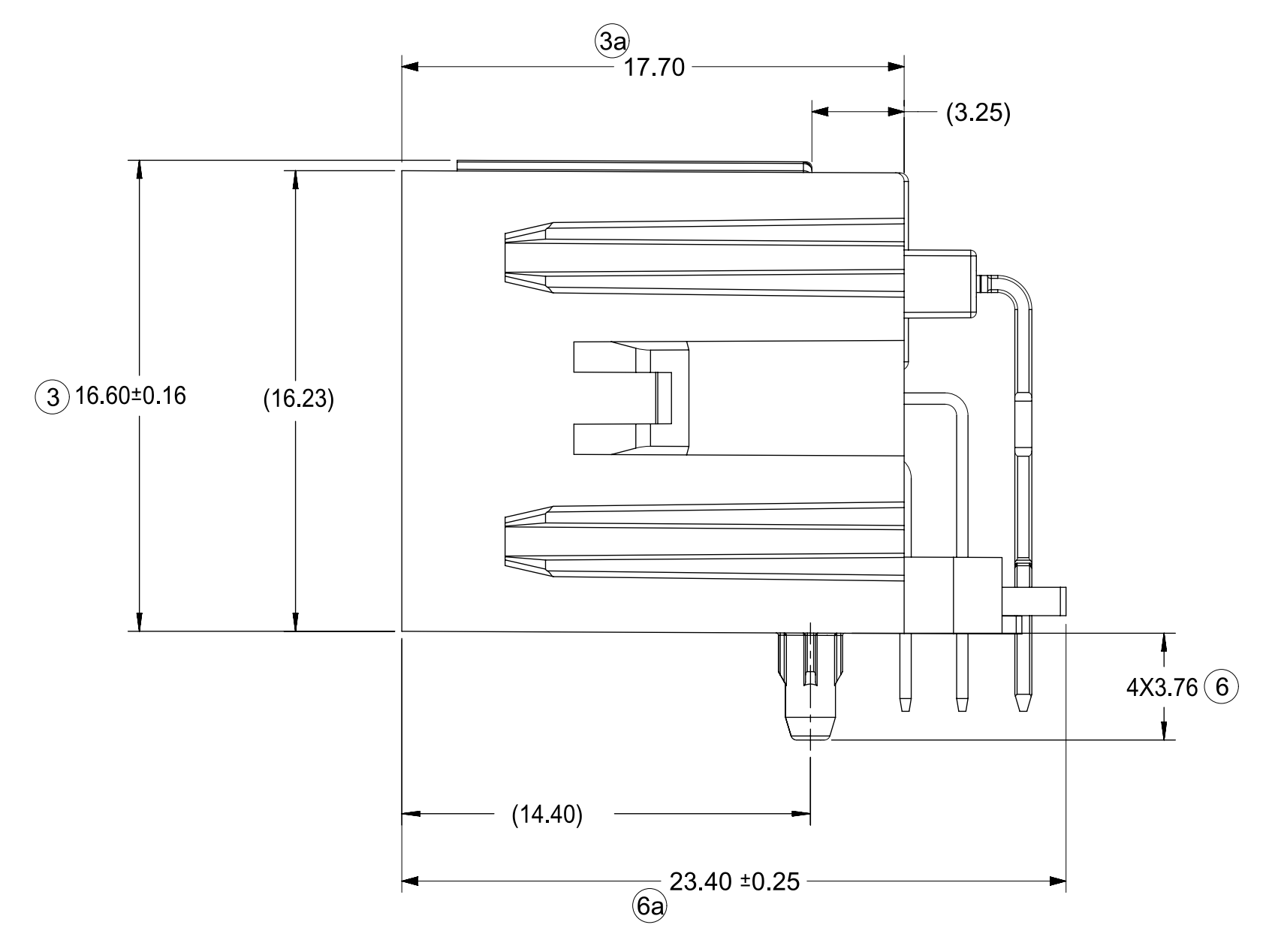
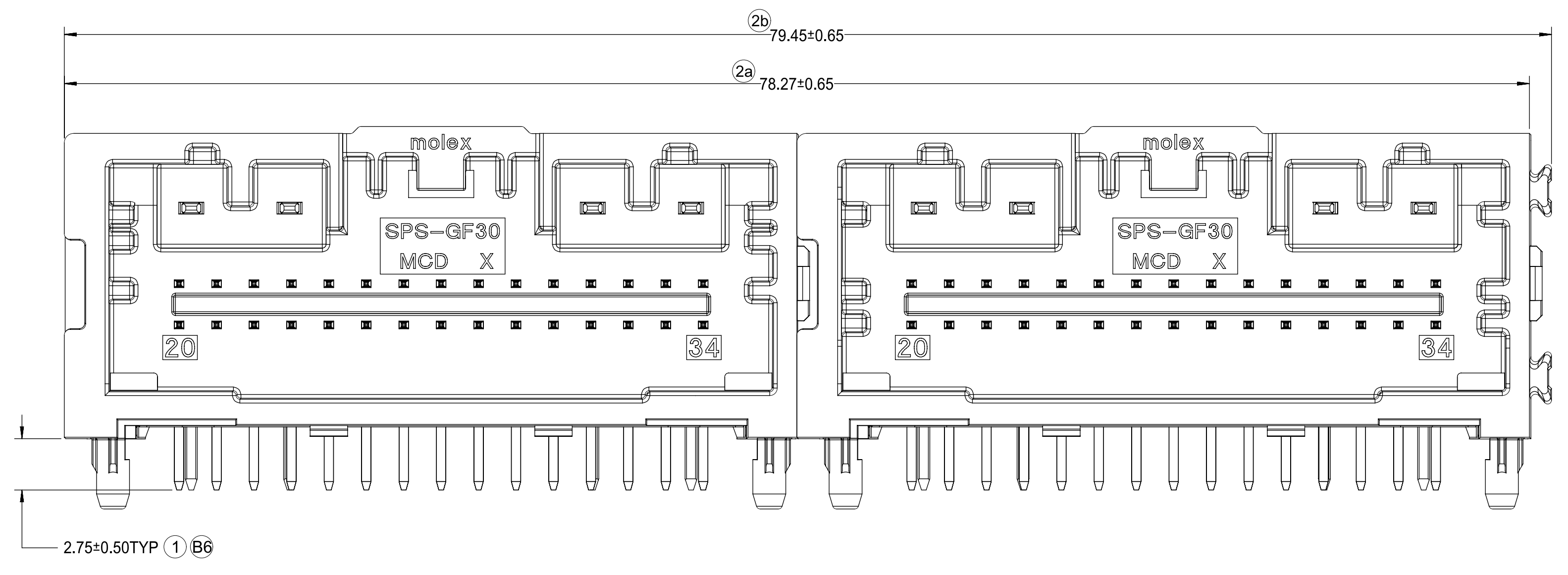
DEPRESSION FEATURE ADDED TO V0 PART TO DISTINGUISH FROM HB PART

V0 P/Ns: 213355XXXX
APPLIES TO ALL CKT SIZES,
USE 38CKT AS SHOWN

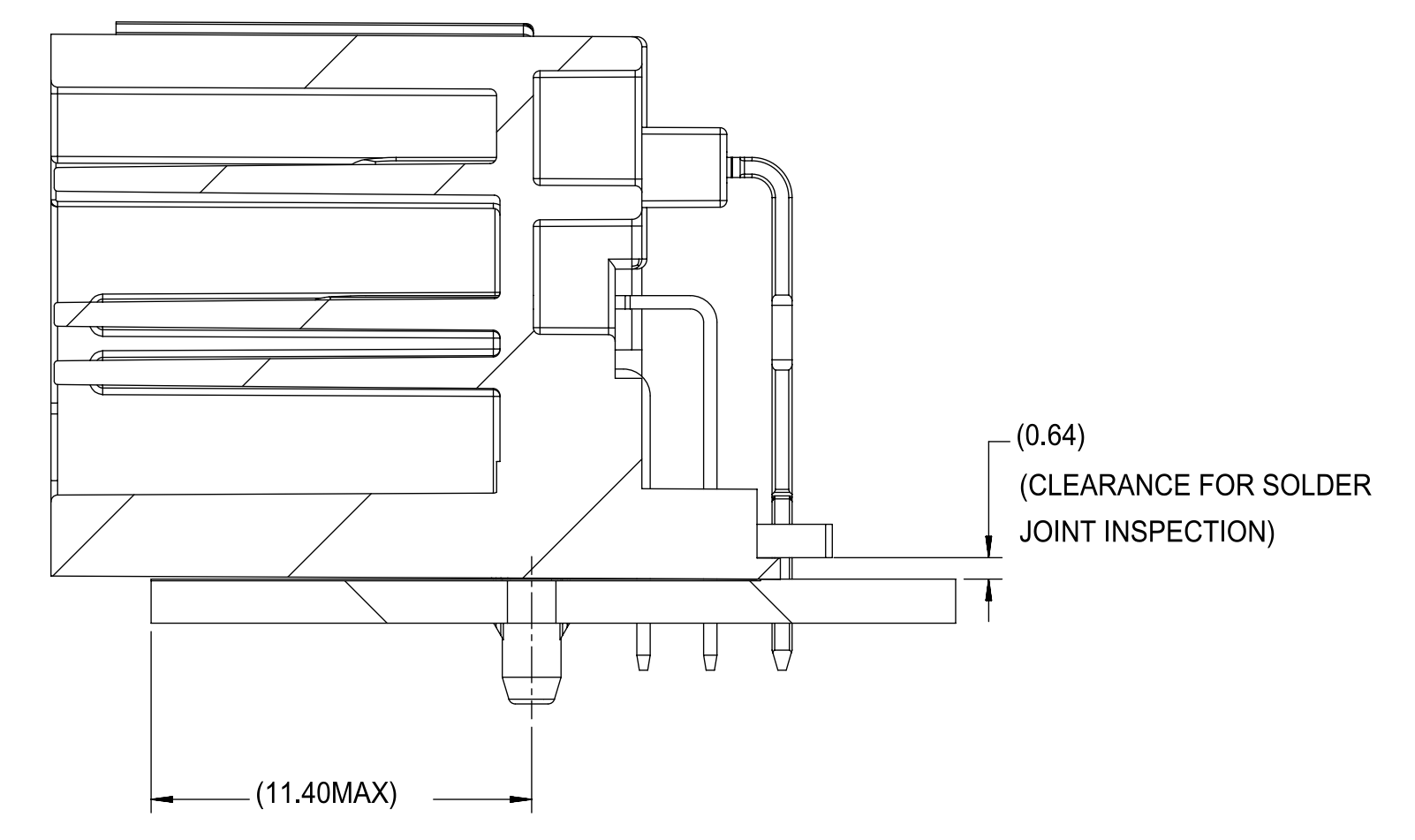
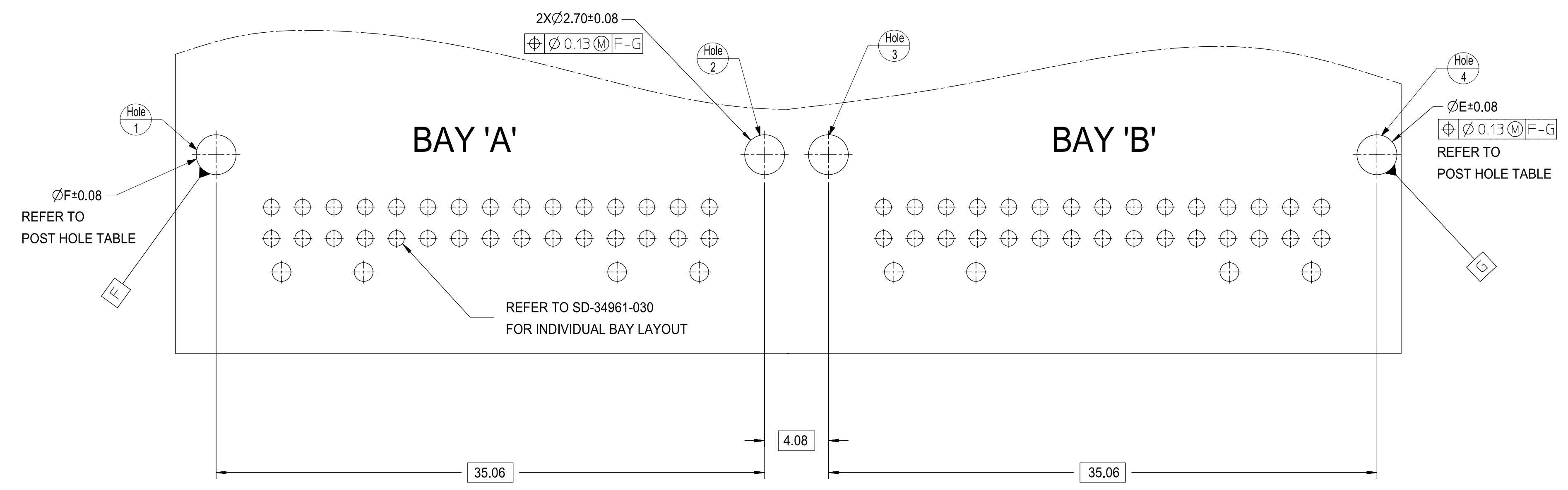
HB P/Ns: 34961XXXX
APPLIES TO ALL CKT SIZES,
USE 38CKT AS SHOWN

FUNCTIONAL SYMBOLS FA = 0 FC = 0 FP = 0 DIVISIONAL SYMBOLS	THIS DRAWING CONTAINS INFORMATION THAT IS PROPRIETARY TO MOLEX ELECTRONIC TECHNOLOGIES, LLC AND SHOULD NOT BE USED WITHOUT WRITTEN PERMISSION		CURRENT REV DESC: REFER TO REVISION COLUMN					
	DIMENSION UNITS	SCALE	<p>34 & 38 CKT MINI50 2-BAY R/A HEADER ASSEMBLY SALES DRAWING</p> <p>PRODUCT SALES DRAWING</p>					
	mm	3:1						
	GENERAL TOLERANCES (UNLESS SPECIFIED)							
ANGULAR TOL ± 0.5°								
4 PLACES ±		STATUS: Production DRWN: Shanks Wu CHK'D: Ringo Hu APPR: Colin Zhang						
3 PLACES ±								
2 PLACES ±								
1 PLACE ±								
0 PLACES ±		2023-05-04	2023-05-19	2023-05-31	DOCUMENT NUMBER SD-34960-0200	DOC TYPE PSD	DOC PART 001	REVISION B8
DRAFT WHERE APPLICABLE MUST REMAIN WITHIN DIMENSIONS		THIRD ANGLE PROJECTION	DRAWING	SERIES	MATERIAL NUMBER	CUSTOMER	SHEET NUMBER	
			D-SIZE	34960		GENERAL MARKET	3 OF 4	

TABLE OF CONTENTS	
SHEET NO.	SHEET DESCRIPTION
4	DETAIL DIMENSION VIEW REFERENCE PCB LAYOUT



RECOMMENDED PCB LAYOUT



FLUSH MOUNTING
HEADER-TO-PCB

Partial1
SCALE 5:1

POST HOLE TABLE:

FOR DIM	E	F
PRESS FIT:	2.30	2.30
DROP IN:	2.85	2.65

FUNCTIONAL SYMBOLS $\nabla_A = 0$ $\nabla_C = 0$ $\nabla_P = 0$	THIS DRAWING CONTAINS INFORMATION THAT IS PROPRIETARY TO MOLEX ELECTRONIC TECHNOLOGIES, LLC AND SHOULD NOT BE USED WITHOUT WRITTEN PERMISSION		CURRENT REV DESC: REFER TO REVISION COLUMN		
	DIMENSION UNITS	SCALE			
	mm	1:1			
	GENERAL TOLERANCES (UNLESS SPECIFIED)				
ANGULAR TOL ± 0.5°					
4 PLACES ±					
3 PLACES ±					
2 PLACES ±					
1 PLACE ±					
0 PLACES ±					
DRAFT WHERE APPLICABLE MUST REMAIN WITHIN DIMENSIONS		THIRD ANGLE PROJECTION			
		D-SIZE			
		SERIES			
		34960			
		MATERIAL NUMBER			
		GENERAL MARKET			
		CUSTOMER			
		SHEET NUMBER			
		4 OF 4			
		STATUS: Production			
		DRWN: Shanks Wu			
		CHK'D: Ringo Hu			
		APPR: Colin Zhang			
		2023-05-04			
		2023-05-19			
		2023-05-31			
		DOCUMENT NUMBER			
		SD-34960-0200			
		DOC TYPE			
		PSD			
		DOC PART			
		001			
		REVISION			
		B8			
		34 & 38 CKT MINI50 2-BAY R/A HEADER ASSEMBLY SALES DRAWING			
		PRODUCT SALES DRAWING			