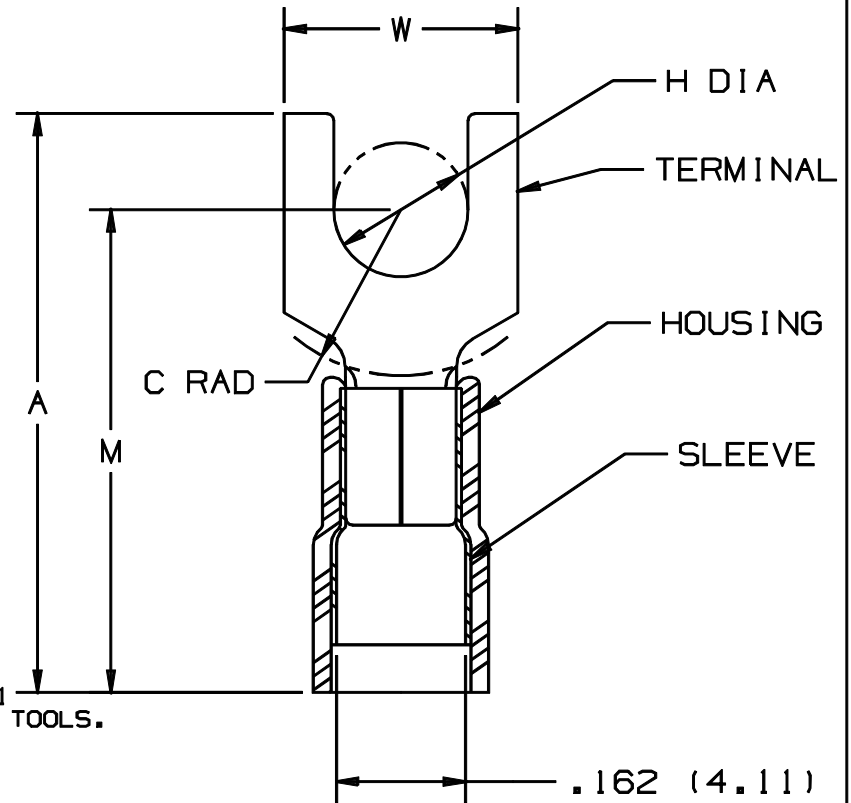


THIS COPY IS PROVIDED ON A RESTRICTED BASIS AND IS NOT TO BE USED IN ANY WAY DETRIMENTAL TO THE INTERESTS OF PANDUIT CORP.

| PANDUIT PART NUMBER | STUD SIZE | DIMENSIONS in. | | | | |
|---------------------|-----------|-----------------|----------------|---------------|----------------|---------------|
| | | A $\pm .03$ | W $\pm .01$ | C $\pm .02$ | M $\pm .03$ | H $\pm .01$ |
| PN14-6FN | #6 | .79 (20.07) | .24 (6.10) | .19 (4.83) | .65 (16.51) | .15 (3.81) |
| PN14-6F | #6 | .79 (20.07) | .28 (7.11) | .19 (4.83) | .65 (16.51) | .15 (3.81) |
| PN14-8F | #8 | .85 (21.59) | .31 (7.87) | .23 (5.84) | .67 (17.02) | .17 (4.32) |
| PN14-10F | #10 | .87 (22.10) | .34 (8.64) | .24 (6.10) | .71 (18.03) | .20 (5.08) |
| PN14-10FN | #10 | .87 (22.10) | .31 (7.87) | .24 (6.10) | .71 (18.03) | .20 (5.08) |
| PN14-14F | 1/4" | 1.02 (25.91) | .44 (11.18) | .32 (8.13) | .77 (19.56) | .27 (6.86) |



NOTES:

- UL LISTED AND CSA CERTIFIED FOR:
 - 600V. MAX. BLDG WIRE (1000 V. MAX IN SIGNS, FIXTURES & LUMINAIRES),
 - #18-14 AWG SOLID OR STRANDED COPPER WIRE WITH THE CT-550, CT-500, CT-1550, CT-1551 CT-460 (UL ONLY) AND CT-400 (UL ONLY) INSTALLATION TOOLS.
 - #16-14 AWG SOLID OR STRANDED COPPER WIRE WITH THE CT-100 AND CT-250 INSTALLATION TOOLS.
 - 221°F (105°C) MAX TEMP. RATING
- MATERIAL:
 - STAMPING - .032" (.81) THK COPPER, TIN PLATED
 - HOUSING - NYLON, BLUE
 - SLEEVE - BRASS, TIN PLATED

3. STRIP LENGTH - 7/32 $\pm 1/32$ $\pm 1/10$

4. PACKAGE QTY:
 -C=100
 -M=1000

5. DIMENSIONS IN BRACKETS ARE IN MILLIMETERS



LISTED
587H
E52164



CERTIFIED
LR31212

.162 (4.11)
MAX WIRE
INSUL DIA
.080 (2.03)
MIN. WIRE
INSUL DIA.

A41192_03

| | | | | | | | | | | | |
|-----|------|------|-----|---|-------|------|-----|--|-------------|---------------|-----------------------|
| 03 | 1/01 | KMD | | CAD FILE SPEC. WAS N41192AA_PCD_02 | | | | PANDUIT CORP. TINLEY PARK, ILLINOIS | | | |
| 02 | 1/97 | JAMB | | ADDED DIM. "MIN. WIRE INSULATION DIA." UPDATE NOTES | 05380 | | | | | | |
| 01 | 6/95 | MS | RLS | UPDATED NOTES AND DIMENSIONS | 03405 | LA | KRS | 3PC. NYLON INSULATED, 16-14 BARREL, FORKS | | | |
| 00 | 3/88 | FS | LM | RELEASED | | LA | JB | | | | |
| REV | DATE | BY | CHK | DESCRIPTION | ECN# | CUST | PM | DRAWN BY FES | CHK'D LA | SCALE NONE | DRAWING NO. A41192 |