

6

5

4

3

2

1

APPROVED: \_\_\_\_\_

DATE: \_\_\_\_\_ TITLE: \_\_\_\_\_

Rev	AWO #	Description	Date	Appr
-		RELEASED	5/12/16	

D

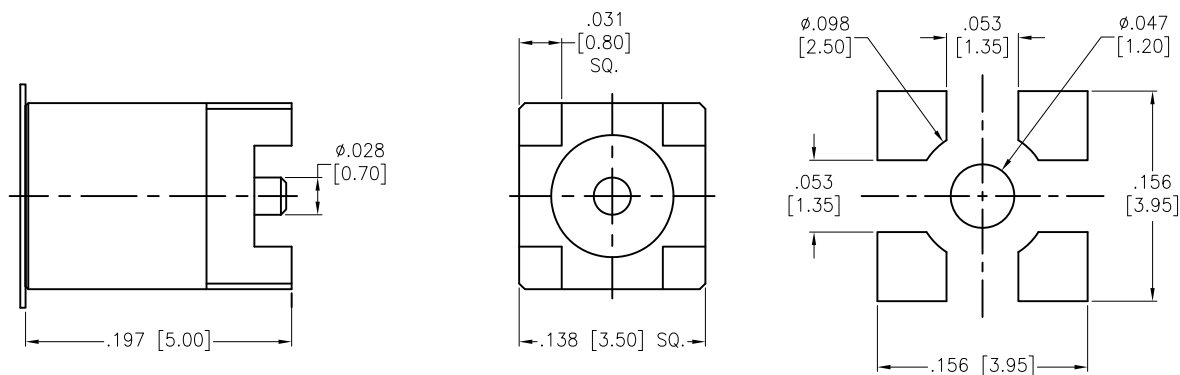
D

C

C

B

B



RECOMMENDED PCB LAYOUT

COVER TAPE	PI	AMBER
CONTACT PIN	BERYLLIUM COPPER	GOLD
INSULATOR	PTFE	WHITE
BODY	BRASS	GOLD
ITEM NAME	MATERIAL	FINISH

**SPECIFICATIONS:**

Electrical:  
 Nominal Impedance: 50 Ohms  
 Frequency range: DC-6 GHz  
 Working Voltage: 170 V max  
 Proof Voltage: 500 V  
 Temperature Rating:  
 Operating temperature: -55°C to +155°C  
 Environmental:  
 Lead free, RoHS compliant.



UNLESS OTHERWISE SPECIFIED ALL DIMENSIONS ARE INCHES [MM] TOLERANCES: EXCEPT AS NOTED INCHES HOLES .X ± .10 Ø.X ± .10 .XX ± .020 Ø.XX ± .015 .XXX ± .015 Ø.XXX ± .010		<h2 style="text-align: center;">ADAM TECH</h2> <p style="text-align: center;">909 Rahway Avenue, Union, NJ 07083          Phone: 908-687-5000 Fax: 908-687-5710</p>	
APPROVALS		DATE	
DRAWN	HR	5/12/16	
CHECKED	LW	5/12/16	
APPROVED			
TITLE		RF CONNECTOR, TYPE MMCX ST. JACK, 50 OHM, SURFACE MOUNT	
SIZE	PART NO.	REV.	
X	RF12-41-T-00-50-G	-	
REF:	S00277T	SCALE:	NTS
		SHEET 1 OF 1	

6

5

4

3

2

1

A

A