

June 1989

12Bit, Low Cost,
Monolithic Digital to Analog Converter

HI-DAC80V

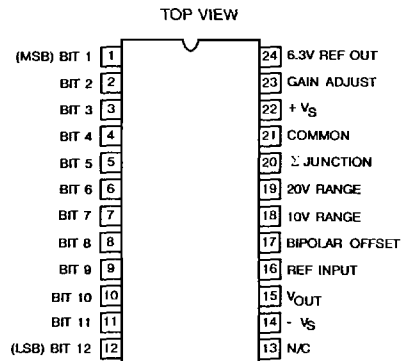
Features

- DAC 80V Alternate Source
- Monolithic Construction
- Fast Settling
- Guaranteed Monotonic
- Wafer Laser Trimmed
- Applications Resistors On-Chip
- On-Board Reference
- Dielectric Isolation (DI) Process
- $\pm 12V$ Supply Operation

Applications

- High Speed A/D Converters
- Precision Instrumentation
- CRT Display Generation

Pinout



Description

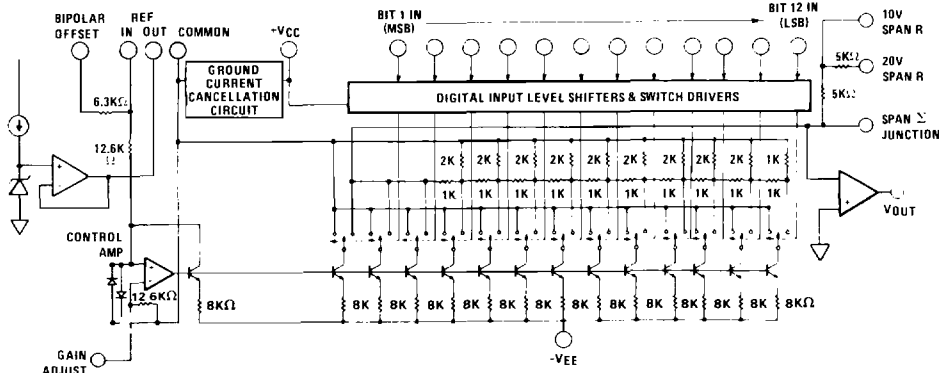
The HI-DAC80V is a monolithic direct replacement for the popular DAC80 and AD DAC80. Single chip construction along with several design innovations make the HI-DAC80V the optimum choice for low cost, high reliability applications. Harris' unique Dielectric Isolation (DI) processing reduces internal parasitics resulting in fast switching times and minimum glitch. On board span resistors are provided for good tracking over temperature, and are laser trimmed to high accuracy.

Internally the HI-DAC80V eliminates code dependent ground currents by routing current from the positive supply to the internal ground node, as determined by an

auxiliary R-2R ladder. This results in a cancellation of code dependent ground currents allowing virtually zero variation in current through the package common, pin 21.

The HI-DAC80V is available as a voltage output device which is guaranteed over the 0°C to +75°C temperature range. It includes a buried zener reference featuring low temperature coefficient as well as an on board operational amplifier. The HI-DAC80V requires only two power supplies and will operate in the range of $\pm (11.4V \text{ to } 16.5V)$.

Functional Block Diagram



CAUTION: These devices are sensitive to electrostatic discharge. Proper I.C. handling procedures should be followed.

Copyright © Harris Corporation 1989

Specifications HI-DAC80V

HI-DAC80V

Absolute Maximum Ratings (Note 1)

Power Supply Inputs $+V_S$	+20V	Digital Inputs (Bits 1 to 12)	-1V to $+V_S$
$-V_S$	-20V	Max Junction Temperature	+175°C
Reference: Input (Pin 16)	$+V_S$	Operating Temperature Range	0°C to +75°C
Output Drain	2.5mA	Storage Temperature Range	-65°C to +150°C

Electrical Specifications Unless Otherwise Specified, $T_A = +25^\circ\text{C}$, $V_S \pm 12\text{V}$ to $\pm 15\text{V}$ (Note 5), Pin 16 to Pin 24.

PARAMETER	CONDITIONS	HI-DAC80V-5			UNITS
		MIN	TYP	MAX	
RESOLUTION		-	-	12	Bits
DIGITAL INPUT (Note 3)					
Logic Levels	TTL Compatible				
Logic "1"	At $+1\mu\text{A}$	+2	-	+5.5	Volts
Logic "0"	At $-100\mu\text{A}$	0	-	+0.8	Volts
ACCURACY (Note 3)					
Linearity Error	Full Temperature	-	$\pm 1/4$	$\pm 1/2$	LSB
Differential Linearity Error	Full Temperature	-	$\pm 1/2$	$\pm 3/4$	LSB
Monotonicity	Full Temperature	Guaranteed			
Gain Error (Notes 2, 4)	Full Temperature	-	± 0.1	± 0.3	%FSR
Offset Error (Note 2)	Full Temperature	-	± 0.05	± 0.15	%FSR
DRIFT (Note 3)					
Total Bipolar Drift (Includes Gain, Offset and Linearity Drifts.)	Full Temperature	-	-	± 20	PPM/°C
Total Error	Full Temperature				
Unipolar (Note 6)		-	± 0.08	± 0.15	%FSR
Bipolar (Note 6)		-	± 0.06	± 0.1	%FSR
Gain	With Internal Reference	-	± 15	± 30	PPM/°C
	Without Internal Reference	-	± 7	-	PPM/°C
Unipolar Offset		-	± 1	± 3	PPM/°C
Bipolar Offset		-	± 5	± 10	PPM/°C
CONVERSION SPEED					
Settling Time (Note 3)	Full Scale Transition all Bits				
With 10K Feedback	ON to OFF or OFF to ON	-	3	-	μs
With 5K Feedback	to $\pm 0.01\%$ of FSR	-	1.5	-	μs
For 1 LSB Change		-	1.5	-	μs
Slew Rate		10	15	-	V/ μs

6

Specifications HI-DAC80V

HI-DAC80V

Electrical Specifications (Continued) Unless Otherwise Specified, $T_A = +25^\circ\text{C}$, $V_S \pm 12\text{V}$ to $\pm 15\text{V}$ (Note 5), Pin 16 to Pin 24.

PARAMETER	CONDITIONS	HI-DAC80V-5			UNITS
		MIN	TYP	MAX	
ANALOG OUTPUT					
Output Ranges		-	± 2.5	-	V
		-	± 5	-	V
		-	± 10	-	V
		-	0 to 5	-	V
		-	0 to 10	-	V
Output current		± 5	-	-	mA
Output Resistance		-	0.05	-	Ω
Short Circuit Duration	To Common	Continuous			
INTERNAL REFERENCE					
Output Voltage		6.250	+6.3	6.350	V
Output Impedance		-	1.5	-	Ω
External Current		-	-	+2.5	mA
Tempco of Drift		-	5	-	PPM/ $^\circ\text{C}$
POWER SUPPLY SENSITIVITY (Note 3, 5)					
+15V Supply		-	0.001	0.002	%FSR
-15V Supply		-	0.001	0.002	% V_S
POWER SUPPLY REQUIREMENTS (Note 5)					
Voltage Range					
+ V_S	Full Temperature	+11.4	+15	+16.5	V
- V_S	Full Temperature	-11.4	-15	-16.5	V
Current					
+ I_S	Full Temperature $V_S = \pm 15\text{V}$	-	+12	+15	mA
- I_S	Full Temperature $V_S = \pm 15\text{V}$	-	-15	-20	mA

NOTES: 1. Absolute maximum ratings are limiting values applied individually, beyond which the serviceability of the circuit may be impaired. Functional operation under any of these conditions is not necessarily implied.

2. Adjustable to zero using external potentiometers.
3. See definitions.
4. FSR is "full scale range" and is 20V for $\pm 10\text{V}$ range, 10V for $\pm 5\text{V}$ range, etc.
5. The HI-DAC80V will operate with supply voltages as low as $\pm 11.4\text{V}$. It is recommended that output voltage range -10V to $+10\text{V}$ not be used if the supply voltages are less than $\pm 12.5\text{V}$.
6. With Gain and Offset errors adjusted to zero at $+25^\circ\text{C}$.

Definitions of Specifications

Digital Inputs

The HI-DAC80V accepts digital input codes in complementary binary, complementary offset binary, and complementary two's complement binary.

DIGITAL INPUT	ANALOG OUTPUT		
	COMPLEMENTARY STRAIGHT BINARY	COMPLEMENTARY OFFSET BINARY	COMPLEMENTARY TWO'S COMPLEMENT*
MSB...LSB			
000...000	+ Full Scale	+ Full Scale	-LSB
100...000	Mid Scale-1 LSB	-1 LSB	+ Full Scale
111...111	Zero	- Full Scale	Zero
011...111	+1/2 Full Scale	Zero	- Full Scale

* Invert MSB with external inverter to obtain CTC Coding.

Settling Time

That interval between application of a digital step input, and final entry of the analog output within a specified window about the settled value. Harris Semiconductor usually specifies a unipolar 10V full scale step, to be measured from 50% of the input digital transition, and a window of ±1/2 LSB about the final value. The device output is then rated according to the worst (longest settling) case: low to high, or high to low. In a 12 bit system ±1/2 LSB = ±0.012% of FSR.

Thermal Drift

Thermal drift is based on measurements at +25°C, at high (T_H) and low (T_L) temperatures. Drift calculations are made for the high (T_H-25°C) and low (+25°C-T_L) ranges, and the larger of the two values is given as a specification representing worst case drift.

Gain Drift, Offset Drift, Reference Drift and Total Bipolar Drift are calculated in parts per million per °C as follows:

$$\text{Gain Drift} = \frac{\Delta \text{FSR}/\Delta^{\circ}\text{C}}{\text{FSR}} \times 10^6$$

$$\text{Offset Drift} = \frac{\Delta \text{Offset}/\Delta^{\circ}\text{C}}{\text{FSR}} \times 10^6$$

$$\text{Reference Drift} = \frac{\Delta V_{\text{REF}}/\Delta^{\circ}\text{C}}{V_{\text{REF}}} \times 10^6$$

$$\text{Total Bipolar Drift} = \frac{V_{\text{O}}/\Delta^{\circ}\text{C}}{\text{FSR}} \times 10^6$$

NOTE: FSR = Full Scale Output Voltage -Zero Scale Output Voltage

$$\Delta \text{FSR} = \text{FSR} (T_{\text{H}}) - \text{FSR} (+25^{\circ}\text{C})$$

$$\text{or } \text{FSR} (+25^{\circ}\text{C}) - \text{FSR} (T_{\text{L}})$$

V_O = Steady-state response to any input code.

Total Bipolar Drift is the variation of output voltage with temperature, in the bipolar mode of operation. It represents the net effect of drift in Gain, Offset, Linearity and Reference

Voltage. Total Bipolar Drift values are calculated, based on measurements as explained above. Gain and Offset need not be calibrated to zero at +25°C. The specified limits for TBD apply for any input code and for any power supply setting within the specified operating range.

Accuracy

LINEARITY ERROR (Short for "Integral Linearity Error." Also, sometimes called "Integral Nonlinearity" and "Nonlinearity".) - The maximum deviation of the actual transfer characteristic from an ideal straight line. The ideal line is positioned according to end-point linearity for D/A converter products from Harris Semiconductor, i.e. the line is drawn between the end-points of the actual transfer characteristic (codes 00...0 and 11...1).

DIFFERENTIAL LINEARITY ERROR - The difference between one LSB and the output voltage change corresponding to any two consecutive codes. A Differential Nonlinearity of ±1 LSB or less guarantees monotonicity.

MONOTONICITY - The property of a D/A converter's transfer function which guarantees that the output derivative will not change sign in response to a sequence of increasing (or decreasing) input codes. That is, the only output response to a code change is to remain constant, increase for increasing code, or decrease for decreasing code.

TOTAL ERROR - The net output error resulting from all internal effects (primarily non-ideal Gain, Offset, Linearity and Reference Voltage). Supply voltages may be set to any values within the specified operating range. Gain and offset errors must be calibrated to zero at +25°C. Then the specified limits for Total Error apply for any input code and for any temperature within the specified operating range.

Power Supply Sensitivity

Power Supply Sensitivity is a measure of the change in gain and offset of the D/A converter resulting from a change in -V_S or +V_S supplies. It is specified under DC conditions and expressed as full scale range percent of change divided by power supply percent change.

$$\text{P.S.S.} = \frac{\frac{\Delta \text{ Full Scale Range} \times 100}{\text{Full Scale Range (Nominal)}}}{\frac{\Delta V_{\text{S}} \times 100}{V_{\text{S}} \text{ (Nominal)}}}$$

Glitch

A glitch on the output of a D/A converter is a transient spike resulting from unequal internal ON-OFF switching times. Worst case glitches usually occur at half-scale i.e. the major carry code transition from 011...1 to 100...0 or vice versa. For example, if turn ON is greater than OFF for 011...1 to 100...0, an intermediate state of 000...0 exists, such that, the output momentarily glitches toward zero output. Matched switching times and fast switching will reduce glitches considerably. (Measured as one half the Product of duration and amplitude.)

HI-DAC80V

HI-DAC80V

Decoupling and Grounding

For best accuracy and high frequency performance, the grounding and decoupling scheme shown in figure 1 should be used. Decoupling capacitors should be connected close to the HI-DAC80V (preferably to the device pins) and should be tantalum or electrolytic bypassed with ceramic types for best high frequency noise rejection.

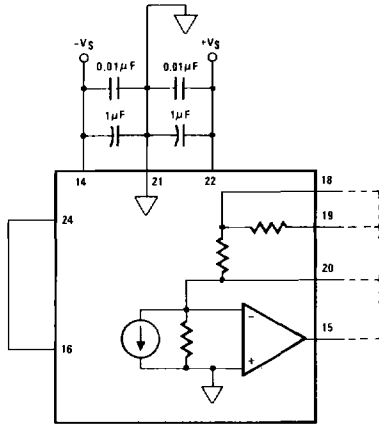


FIGURE 1.

Reference Supply

An internal 6.3 Volt reference is provided on board the HI-DAC80V. The voltage (pin 24) is accurate to $\pm 0.8\%$ and must be connected to the reference input (pin 16) for specified operation. This reference may be used externally, provided current drain is limited to 2.5mA. An external buffer amplifier is recommended if this reference is to be used to drive other system components. Otherwise, variations in the load driven by the reference will result in gain variations of the HI-DAC80V. All gain adjustments should be made under constant load conditions.

Output Voltage Ranges

HI-DAC80V

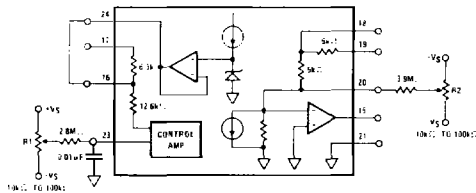


FIGURE 2.

RANGE CONNECTIONS

	RANGE	CONNECT		
		PIN 15	PIN 17	PIN 19
Unipolar	0 to +5V	18	N.C.	20
	0 to +10V	18	N.C.	N.C.
Bipolar	$\pm 2.5V$	18	20	20
	$\pm 5V$	18	20	N.C.
	$\pm 10V$	19	20	15

Gain and Offset Calibration

UNIPOLAR CALIBRATION

- Step 1: Offset
Turn all bits OFF (11...1)
Adjust R_2 for zero volts out
- Step 2: Gain
Turn all bits ON (00...0)
Adjust R_1 for FS-1LSB
That is:
4.9988 for 0 to +5V range
9.9976 for 0 to +10V range

BIPOLAR CALIBRATION

- Step 1: Offset
Turn all bits OFF (11...1)
Adjust R_2 for Negative FS
That is:
-10V for $\pm 10V$ range
-5V for $\pm 5V$ range
-2.5V for $\pm 2.5V$ range
- Step 2: Gain
Turn all bits ON (00...0)
Adjust R_1 for positive FS-1LSB
That is:
+9.9951V for $\pm 10V$ range
+4.9976V for $\pm 5V$ range
+2.4988V for $\pm 2.5V$ range

This Bipolar procedure adjusts the output range end points. The maximum error at zero (half scale) will not exceed the Linearity error. See the "Accuracy" specifications.

HI-DAC80V

Die Characteristics

Transistor Count 214
Die Size 108 x 163 mils
Thermal Impedance;
 θ_{ja} 79°C/W
 θ_{jc} 20°C/W
Tie Substrate to: Ground
Process Bipolar-DI

Ordering Information

PART NUMBER	TEMPERATURE RANGE	PACKAGE
HI1-DAC80V-5	0°C to +75°C	24 Pin Ceramic DIP
HI3-DAC80V-5	0°C to +75°C	24 Pin Plastic DIP

Note: The Ceramic DIP package will be discontinued in the future and is not recommended for new designs.

NOTICE: Harris Semiconductor's products are sold by description only. Harris Semiconductor reserves the right to make changes in circuit design and/or specifications at any time without notice. Accordingly, the reader is cautioned to verify that data sheets are current before placing orders.

For maintenance of performance and reliability, Harris Semiconductor strongly recommends that the "I.C. Handling Procedures", located in Section 1 of the current Analog Products Data Book, be followed closely by any activity involved with I.C. products.