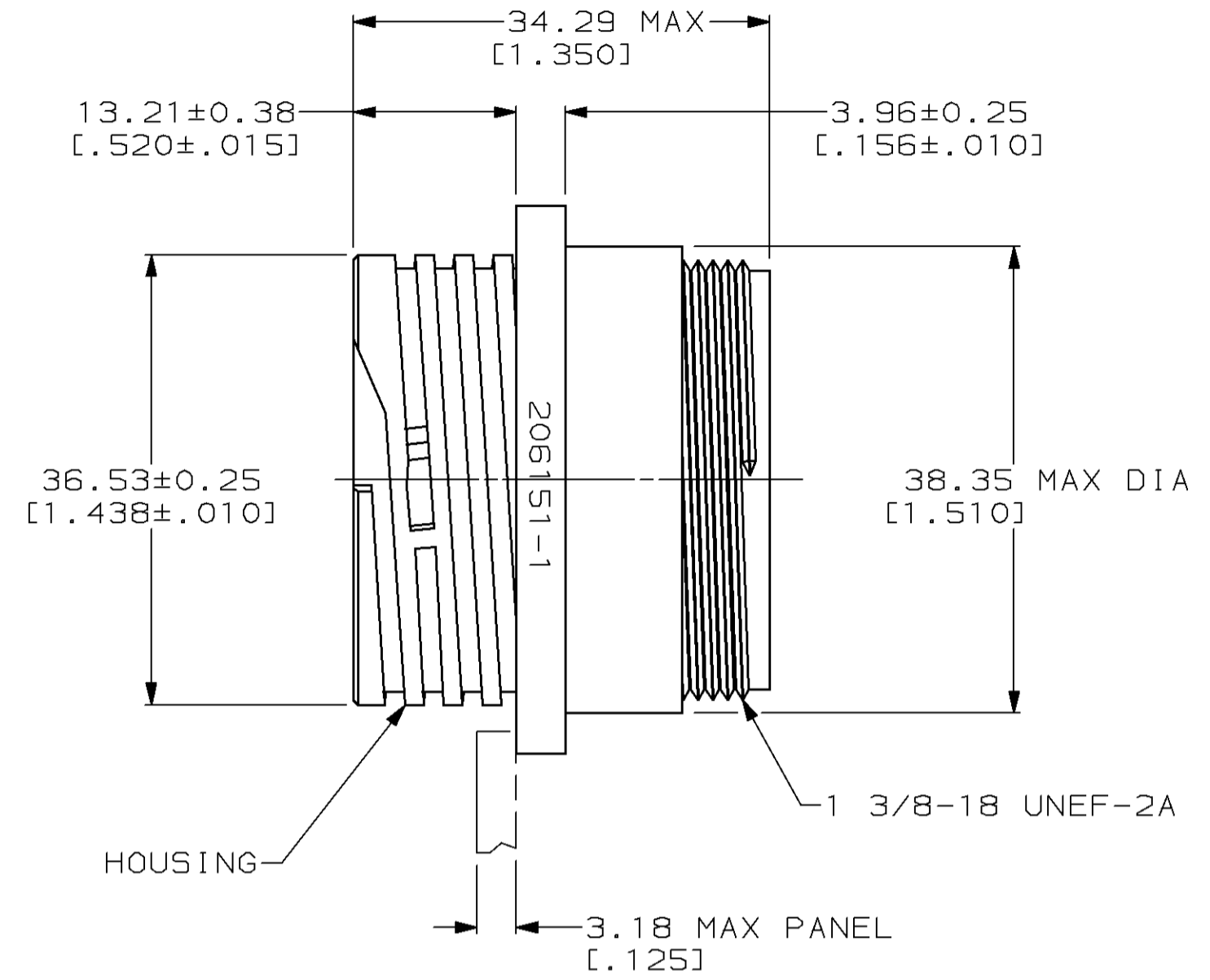
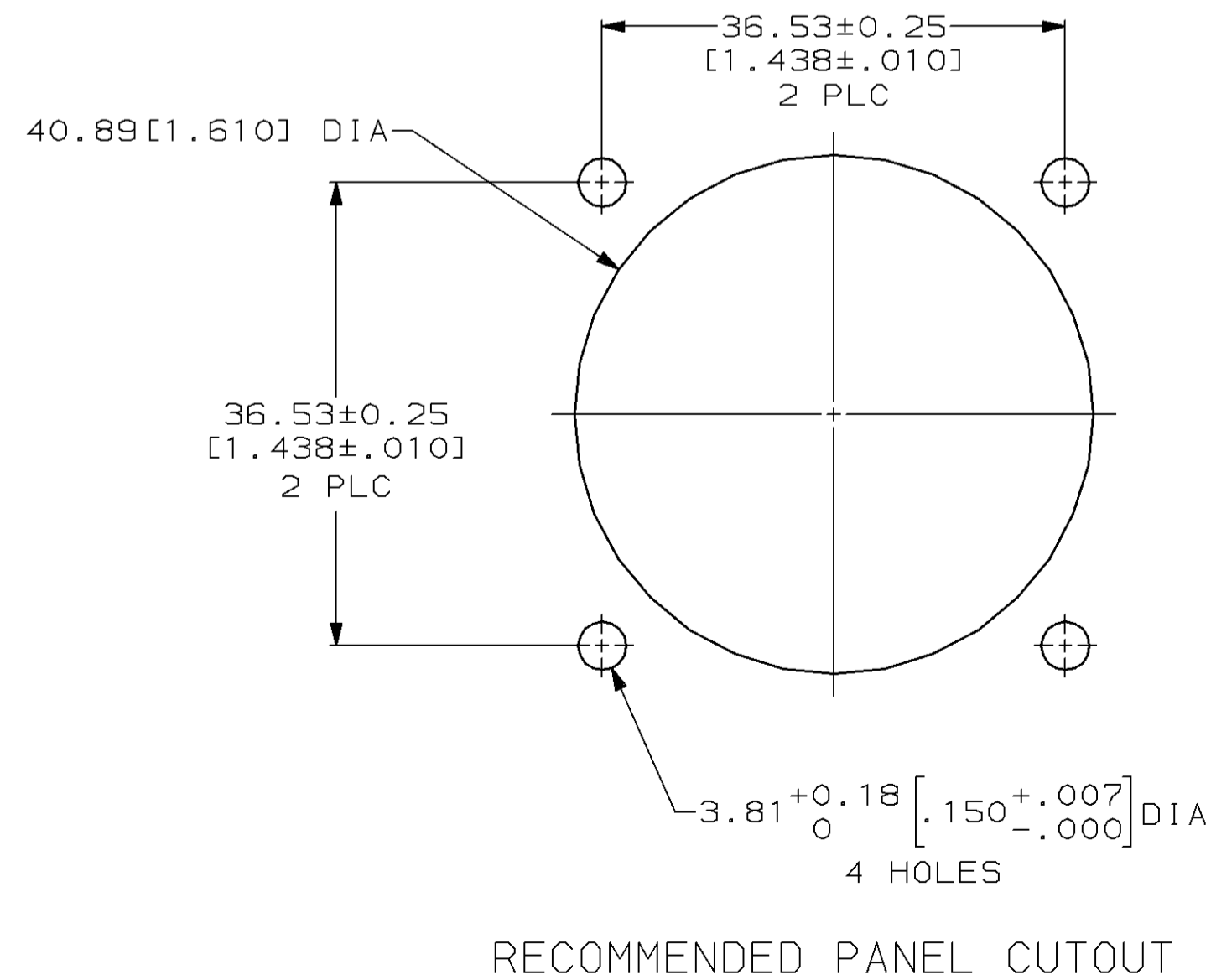
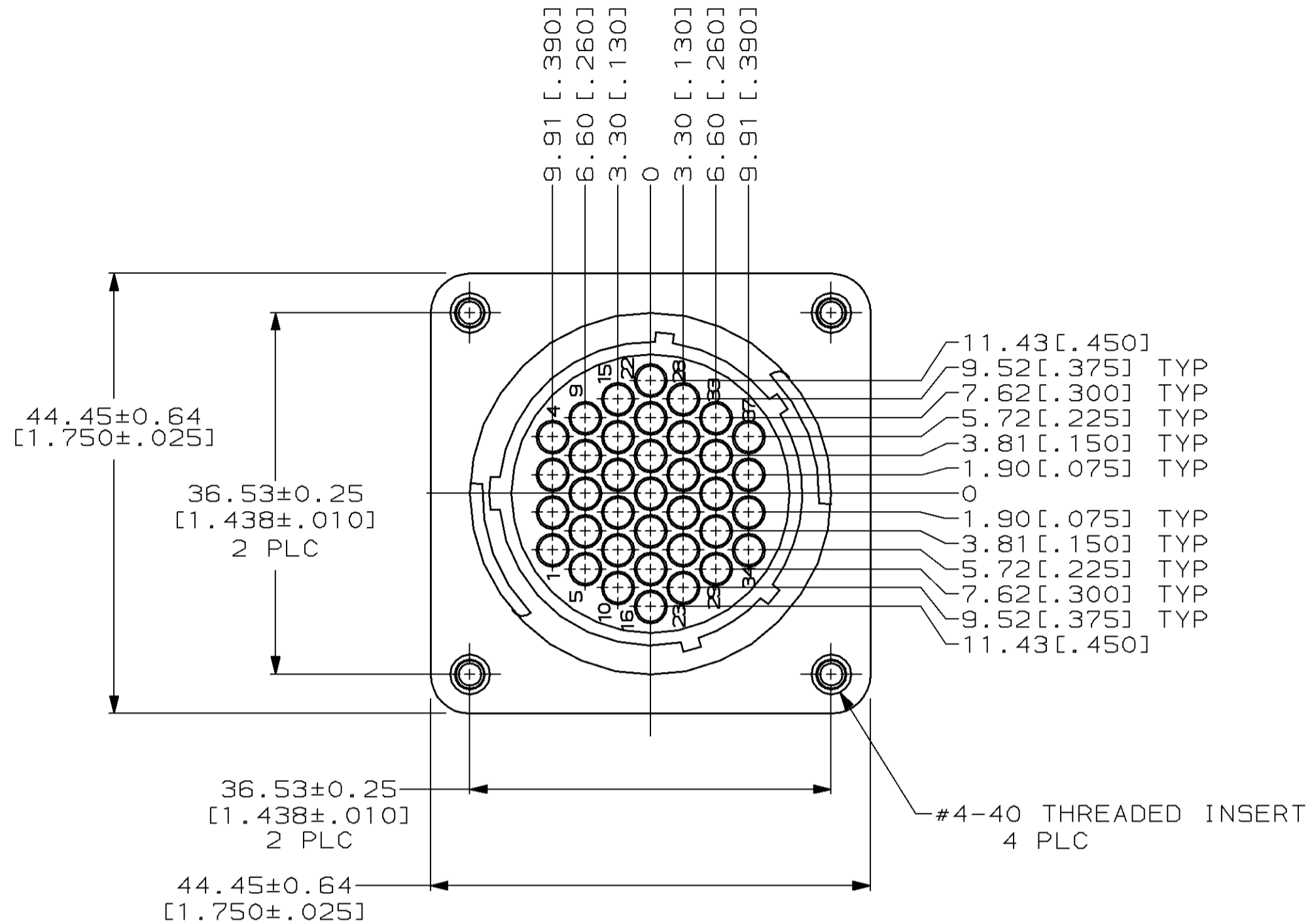


THIS DRAWING IS UNPUBLISHED.  
 RELEASED FOR PUBLICATION  
 BY AMP INCORPORATED. ALL RIGHTS RESERVED.

LOC	DIST	REVISIONS					
		P	LTR	DESCRIPTION	DATE	DWN	APVD
BD	35	0		RELEASED -1 PER NPR 5423 WAS 95-5029-3-1	06 OCT 95	-	-



1. HOUSING: NYLON, BLACK.  
#4-40 THREADED INSERTS: BRASS.
2. CAVITY IDENTIFICATION ON FRONT AND REAR FACES.
3. CONNECTOR WILL ACCEPT 37 MULTIMATE PIN CONTACTS.

787610-1

PART NUMBER

THIS DRAWING IS A CONTROLLED DOCUMENT FOR AMP INCORPORATED. IT IS SUBJECT TO CHANGE AND THE CONTROLLING ENGINEERING ORGANIZATION SHOULD BE CONTACTED FOR THE LATEST REVISION.		DWN K.FOLTZ 06 OCT 95	AMP Incorporated Harrisburg, PA 17105-3608	
DIMENSIONS: mm [INCHES]		CHK R.STONE 09 OCT 95	NAME	
TOLERANCES UNLESS OTHERWISE SPECIFIED:		APVD R.BYERS 09 OCT 95	RECEPTACLE ASSEMBLY, STANDARD SEX, SIZE 23-37, CPC	
0 PLC ± 1 PLC ± 2 PLC ±0.13 [0.005] 3 PLC ± 4 PLC ±		PRODUCT SPEC 108-10024	SIZE A2	CAGE CODE 00779
ANGLES ±		APPLICATION SPEC	DRAWING NO C=787610	SCALE 2:1
FINISH -		WEIGHT -	SHEET 1 OF 1	REV 0
MATERIAL 1		CUSTOMER DRAWING		

787610