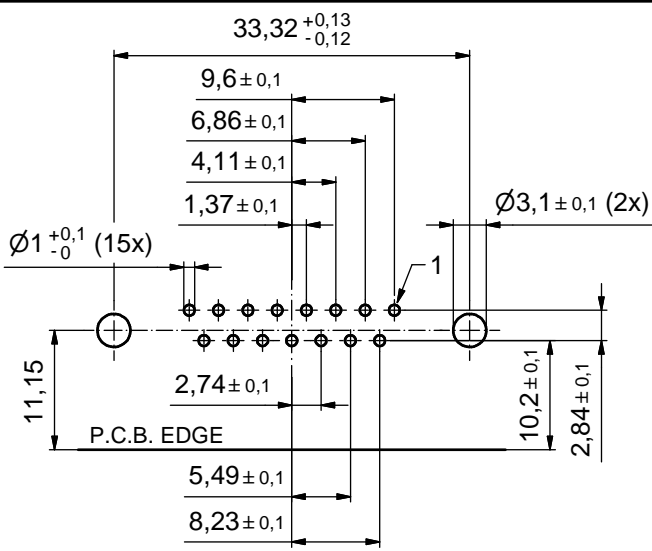
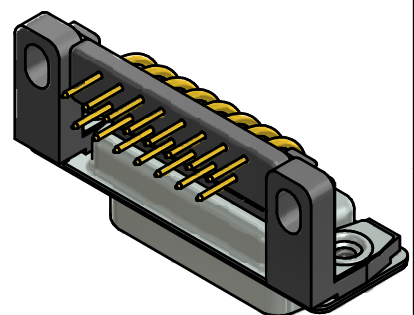
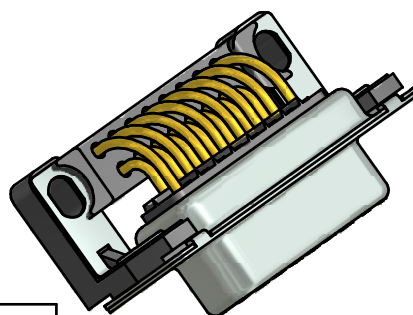
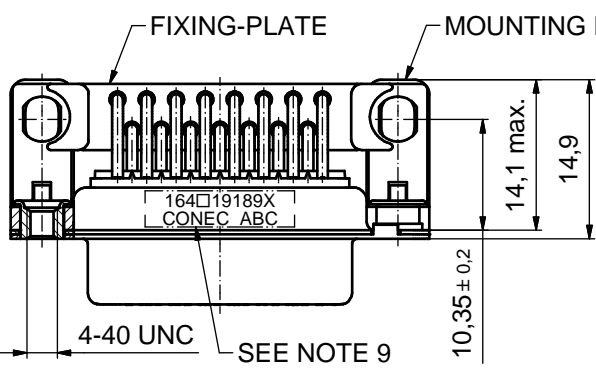
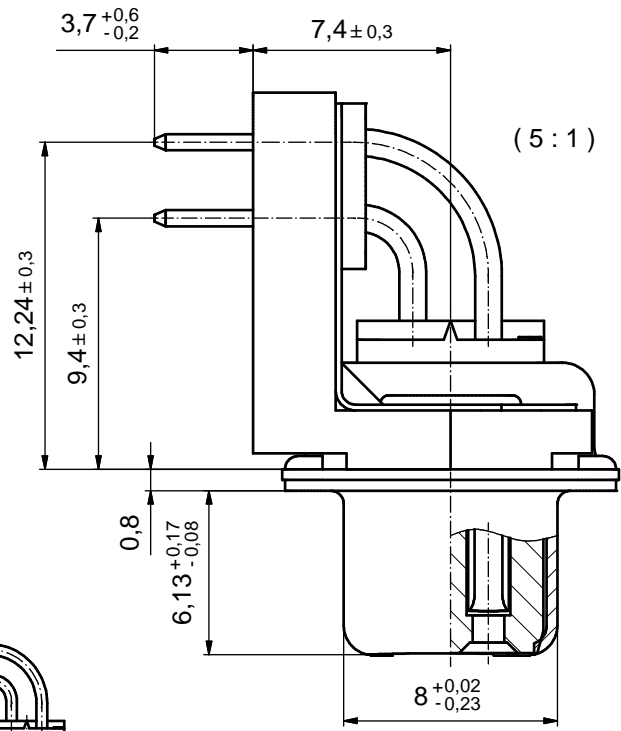
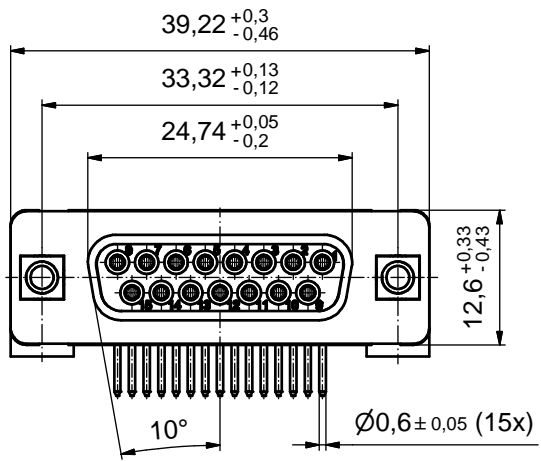


6 5 4 3 2 1



NOTES:

1. METAL SHELLS: STEEL; min. 315µm TIN over 40-80µm NICKEL
2. INSULATORS: PBT GF UL 94 V-0; BLACK
3. CONTACTS: COPPER ALLOY
PLATING (SEE PART NO):
 PLEASE ADD C for 30µm HARD GOLD over min. 50µm NICKEL
 PLEASE ADD B for 20µm HARD GOLD over min. 50µm NICKEL
 PLEASE ADD A for GOLD FLASH over NICKEL (PREFERRED TYPE)
4. MOUNTING BRACKETS: PBT GF UL 94 V-0; BLACK
5. GROUNDING BRACKETS: COPPER ALLOY; min. 200µm TIN over 80µm NICKEL
6. THREADED INSERTS: COPPER ALLOY; min. 200µm TIN over 80µm NICKEL
7. FIXING-PLATE: PBT GF UL 94 V-0; BLACK
8. MAXIMUM TORQUE VALUE FOR THREAD: 6 in.LB
9. CONNECTOR IS PART MARKED: 164□19189X CONEC ABC

P.C.B. HOLE DRILLINGS
(P.C.B. TOP SIDE)

Directive 2002/95/EC RoHS compliant

THIS DRAWING MAY NOT BE COPIED OR REPRODUCED IN ANY WAY, AND MAY NOT BE PASSED ON TO A THIRD PARTY WITHOUT WRITTEN PERMISSION. OWNERSHIP AND COPYRIGHT OF CONEC GmbH DO NOT ALTER CAD DRAWING BY HAND

tolerance		dim. in mm	
date	name	drawn	27.03.13 Lehmenkühler
appd.	27.03.13	Fischer	
norm		d-old	
rev.	a	Original	
description	date	name	



scale:	2:1 (5:1)
material:	SEE NOTES
title:	D-SUB FEMALE 90° 15pos. SOLDER PIN ANGLED 0.370inch threaded insert, mounting+grounding bracket, fixing-plate
dwg no:	16K1A3214
part no:	164□19189X (see note 3)
DIN-A3	sh: 1

6 5 4 3 2 1