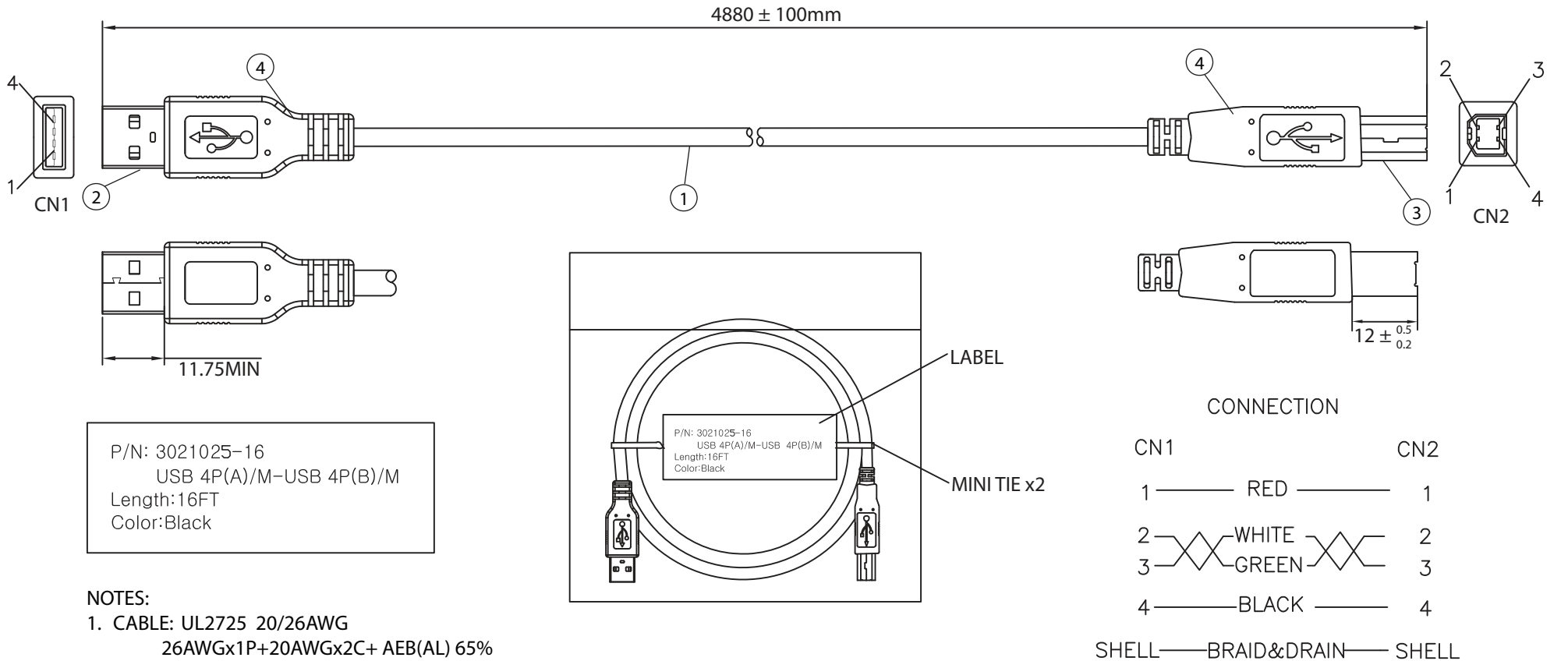


THESE DRAWINGS ARE THE PROPERTY OF QUALTEK ELECTRONICS AND NOT TO BE REPRODUCED FOR OR COMMUNICATED TO A THIRD PARTY WITHOUT THE EXPRESS WRITTEN PERMISSION OF AN OFFICER OF QUALTEK ELECTRONICS.

REVISION			
REV.	DESCRIPTION	DATE	APPROVED
B	Updated Specifications	02-09-12	LY



**NOTES:**

1. CABLE: UL2725 20/26AWG  
 26AWGx1P+20AWGx2C+ AEB(AL) 65%  
 OUTER JACKET: BLACK, OD: 5.3 ± 0.2mm
2. CONNECTOR: USB A TYPE MALE  
 INSULATOR: WHITE PBT  
 PIN G/F  
 GOLD PLATED SHELL
3. CONNECTOR: USB B TYPE MALE  
 INSULATOR: WHITE PBT  
 PIN G/F  
 GOLD PLATED SHELL
4. PVC MOLDED: COLOR V398 45P BLACK
5. ELECTRICAL TEST:
  - <1>.100% OPEN SHORT & MISS WIRE TEST
  - <2>.INSULATION RESISTANCE: DC400V 10M ohm MIN.
  - <3>.CONDUCTOR RESISTANCE: 3 ohm MAX.
6. PACKING: 1PC/POLYBAG W/ LABEL

CONTROLLED

Dim range (mm)	Tolerance +/- (mm)	Qualtek Electronics Corp. WCI DIVISION		
		Part Number: 3021025-16	RoHS Compliant	
0-1	0.15	Description: USB 4P(A)/M - USB 4P(B)/M		
1-6	0.20			
6-18	0.30		UNIT: mm	REV. B
18-50	0.50		Checked / Date	Approved / Date
50-120	0.70	Drawn / Date		
120-250	0.90	B.Grubb 01-26-07	01-26-07	JJH / 01-26-07
250-500	1.20			