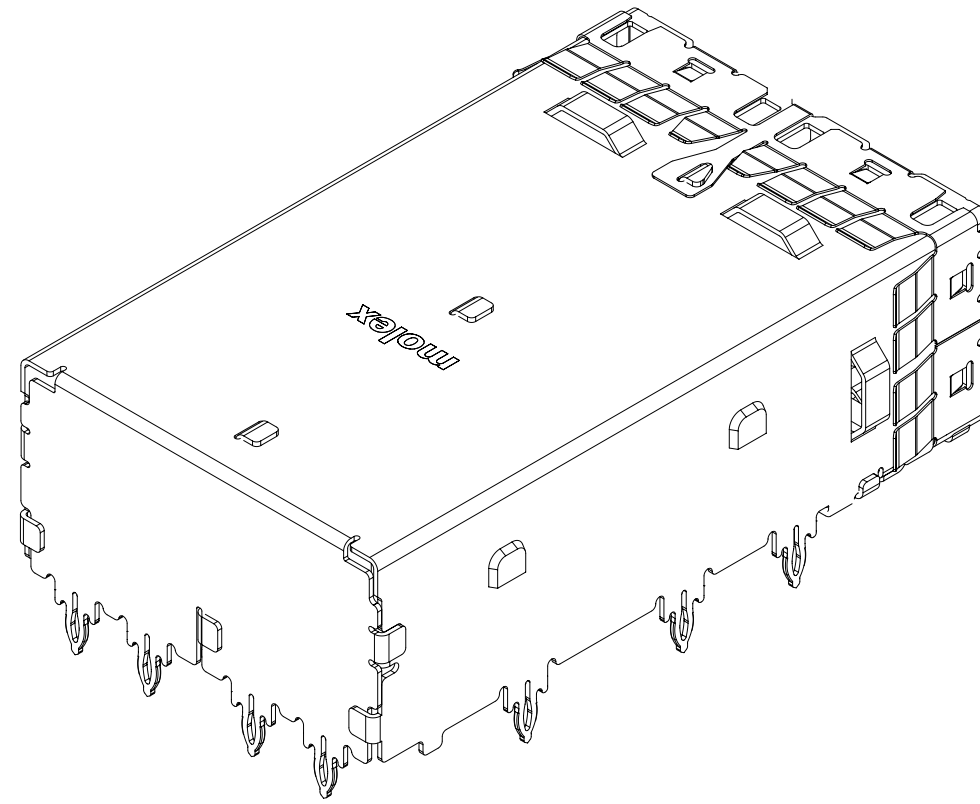
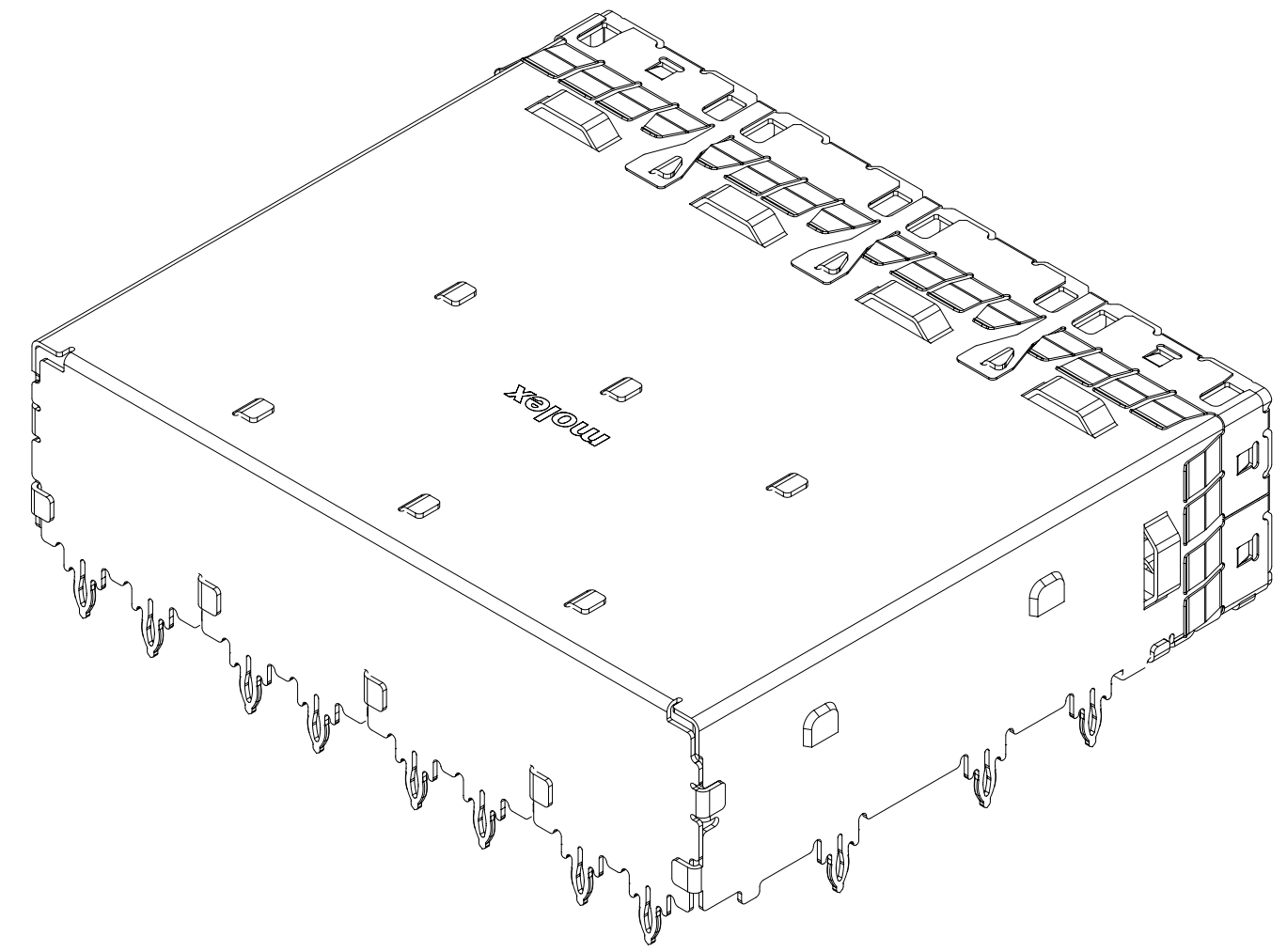


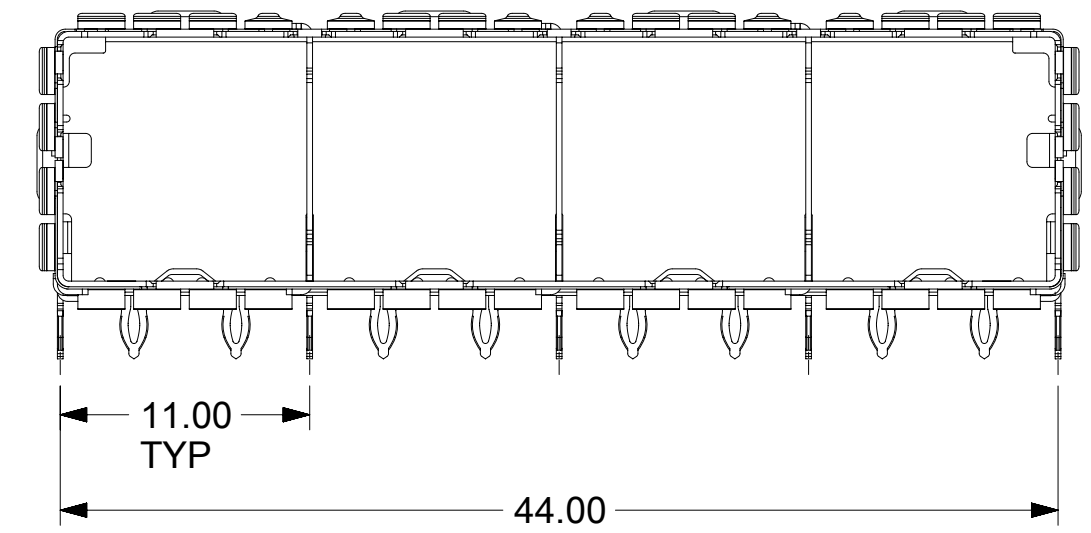
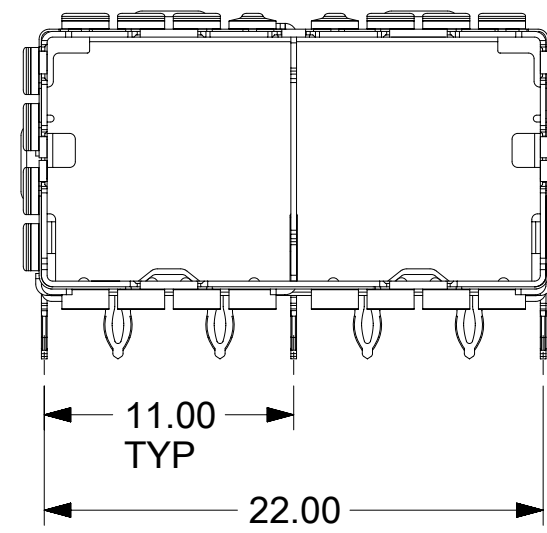
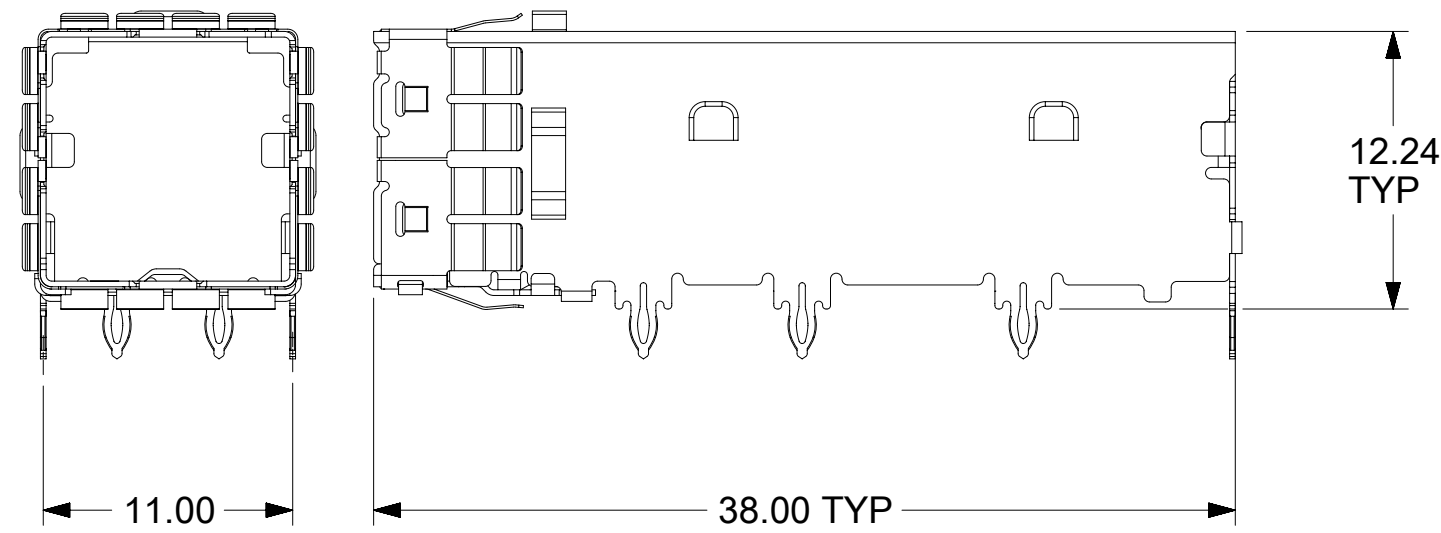
1X1



1X2



1X4



- NOTES:
- MATERIALS:  
EMI CAGE: STAINLESS STEEL  
EMI FINGERS: COPPER ALLOY
  - FINISHES:  
EMI FINGERS: 0.50µM MIN NICKEL
  - FOR FOOTPRINT AND ASSEMBLY INFORMATION REFER TO SALES DRAWING: PDD 1724731111
  - MOUNTING INFORMATION REFER TO APPLICATION SPECIFICATION 1724730001
  - PACKAGING SPECIFICATION: PDD 1724738000
  - THIS PART CONFORMS TO CLASS C REQUIREMENTS OF MOLEX COSMETIC SPECIFICATION PS-45499-002

CONFIGURATION	MATERIAL NUMBER
1X1	1724735001
1X2	1724735002
1X4	1724735004

THIS DRAWING CONTAINS INFORMATION THAT IS PROPRIETARY TO MOLEX ELECTRONIC TECHNOLOGIES, LLC AND SHOULD NOT BE USED WITHOUT WRITTEN PERMISSION									
SYMBOLS		DIMENSION UNITS	SCALE	CURRENT REV DESC:					
▽ = 0	mm	3:1	EC NO: 178504						
▽ = 0	GENERAL TOLERANCES (UNLESS SPECIFIED)		DRWN: AKOLAK 2018/06/28						
▽ = 0	ANGULAR TOL ± 1.0°		CHK'D: TMCLELLAND 2018/06/28						
▽ = 0	4 PLACES ±		APPR: TMCLELLAND 2018/06/28						
▽ = 0	3 PLACES ± 0.1		INITIAL REVISION:						
▽ = 0	2 PLACES ± 0.15		DRWN: AKOLAK 2018/04/10						
▽ = 0	1 PLACE ± 0.25		APPR: TMCLELLAND 2018/06/27						
▽ = 0	0 PLACES ±		THIRD ANGLE PROJECTION		DRAWING		SERIES		
▽ = 0	DRAFT WHERE APPLICABLE MUST REMAIN WITHIN DIMENSIONS		C-SIZE		172473		MATERIAL NUMBER		
DOCUMENT STATUS		P1		RELEASE DATE		2018/06/28 19:22:27		CUSTOMER	
12		11		10		9		1	

**molex**

IPASS ZHD RA SMT EXTERNAL CAGE SD

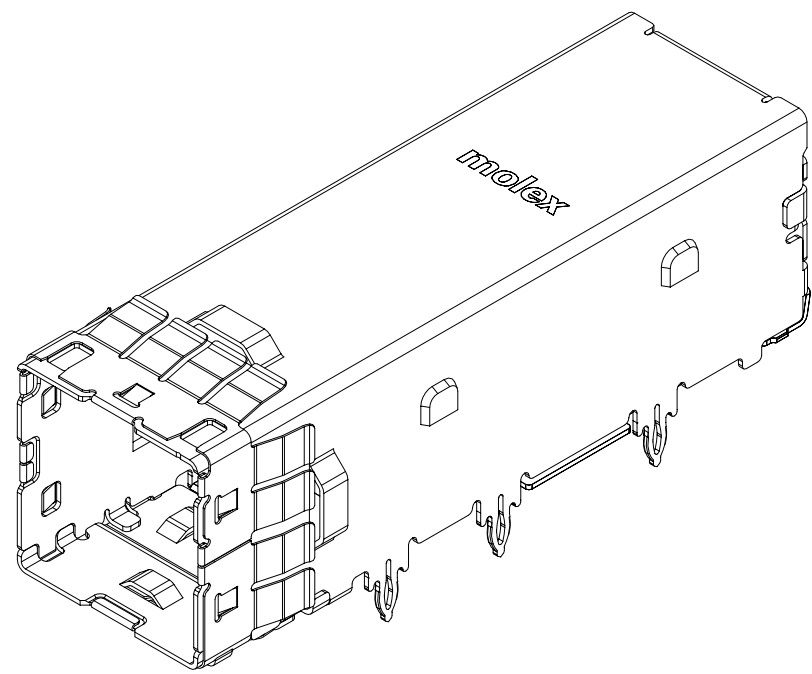
PRODUCT CUSTOMER DRAWING

DOCUMENT NUMBER	DOC TYPE	DOC PART	REVISION
1724730012	PSD	000	A1

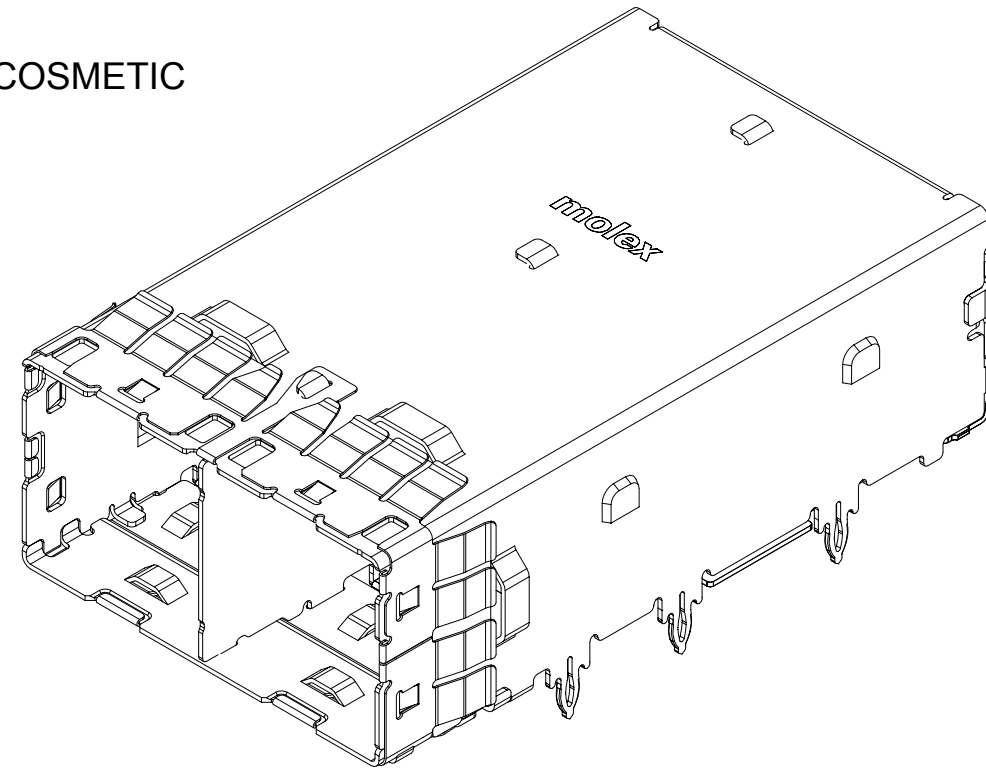
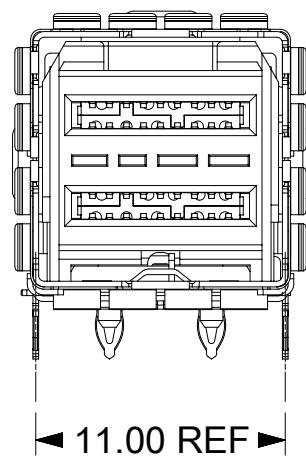
MATERIAL NUMBER	CUSTOMER	SHEET NUMBER
SEE TABLE	GENERAL MARKET	1 OF 1

DOCUMENT STATUS	P1	RELEASE DATE	2018/06/28 19:22:27
-----------------	----	--------------	---------------------

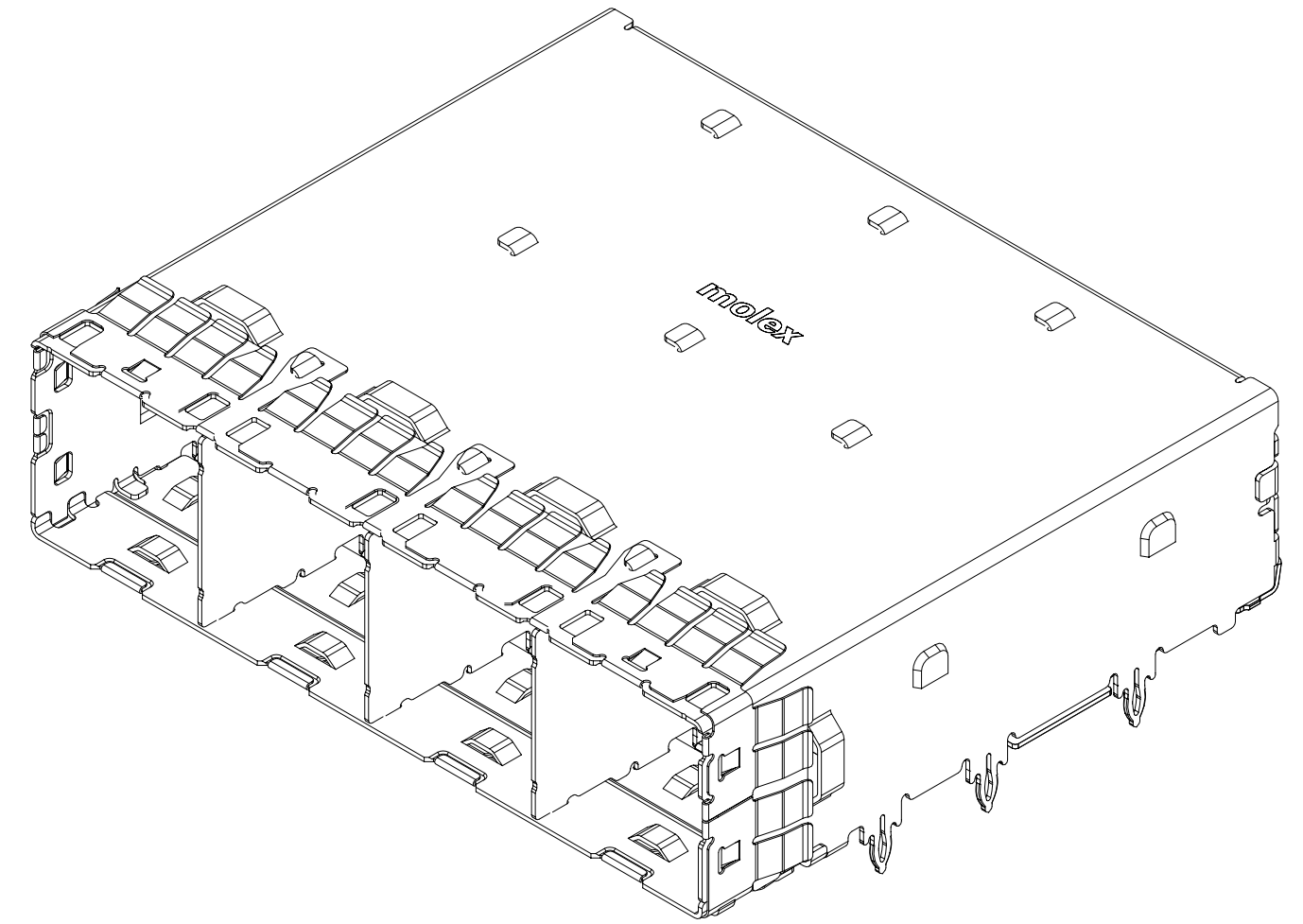
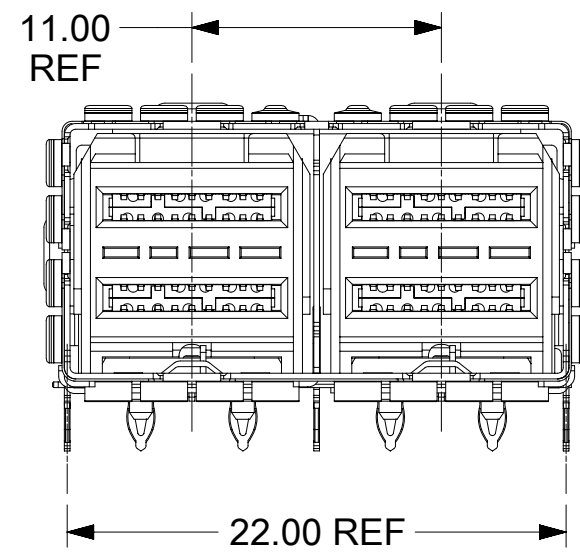
- NOTES:
1. FOR 2 PEG CONNECTOR DETAILS REFER TO SALES DRAWING: PSD 1724730011
  2. FOR 3 PEG CONNECTOR DETAILS REFER TO SALES DRAWING: PSD 1724739995
  3. FOR CAGE DETAILS REFER TO SALES DRAWING: PSD 1724730012
  4. PRODUCT SPECIFICATION: 1724730011
  5. MOUNTING INFORMATION: REFER TO APPLICATION SPECIFICATION: 1724730001
  6. MATES WITH: MOLEX CABLE SERIES 111068, 111073, 111074, & 111075
  7. PLUG MODULE PCB LAYOUT REFER TO SD-76866-9900
  8. THIS PART CONFORMS TO CLASS C REQUIREMENTS OF MOLEX COSMETIC SPECIFICATION PS-45499-002



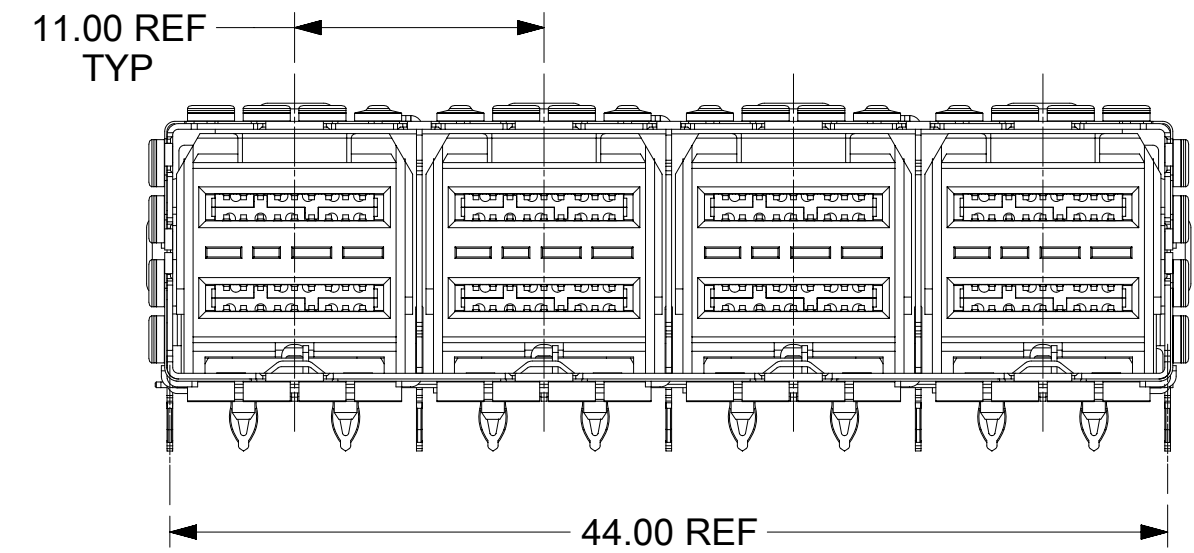
1 X 1



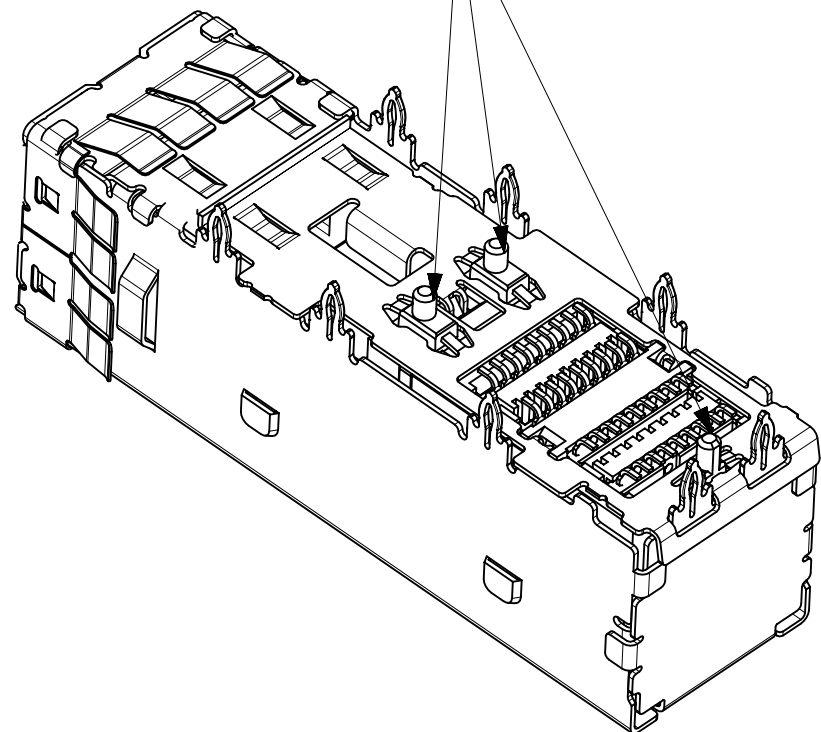
1 X 2



1 X 4

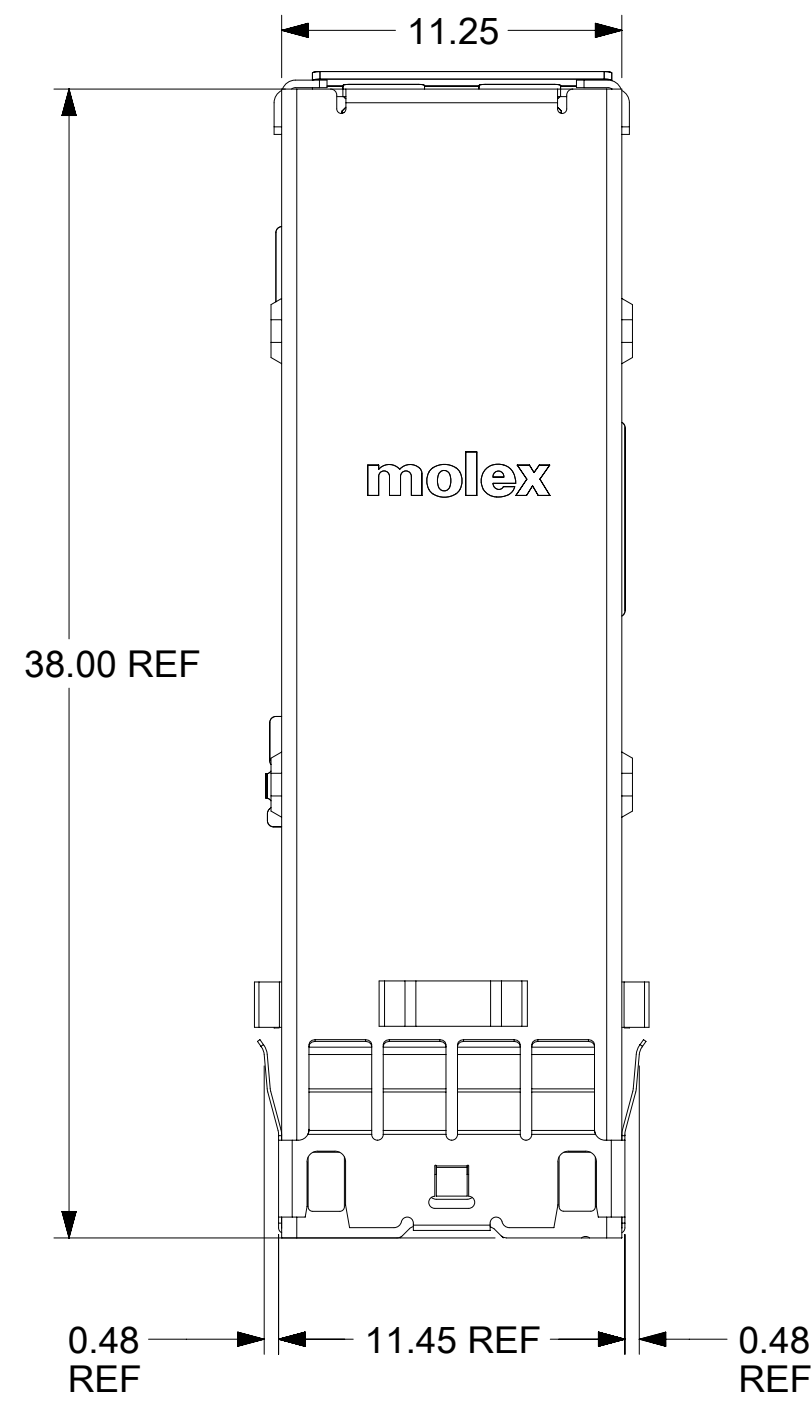


1724739995 CONNECTOR WITH 3 PEG

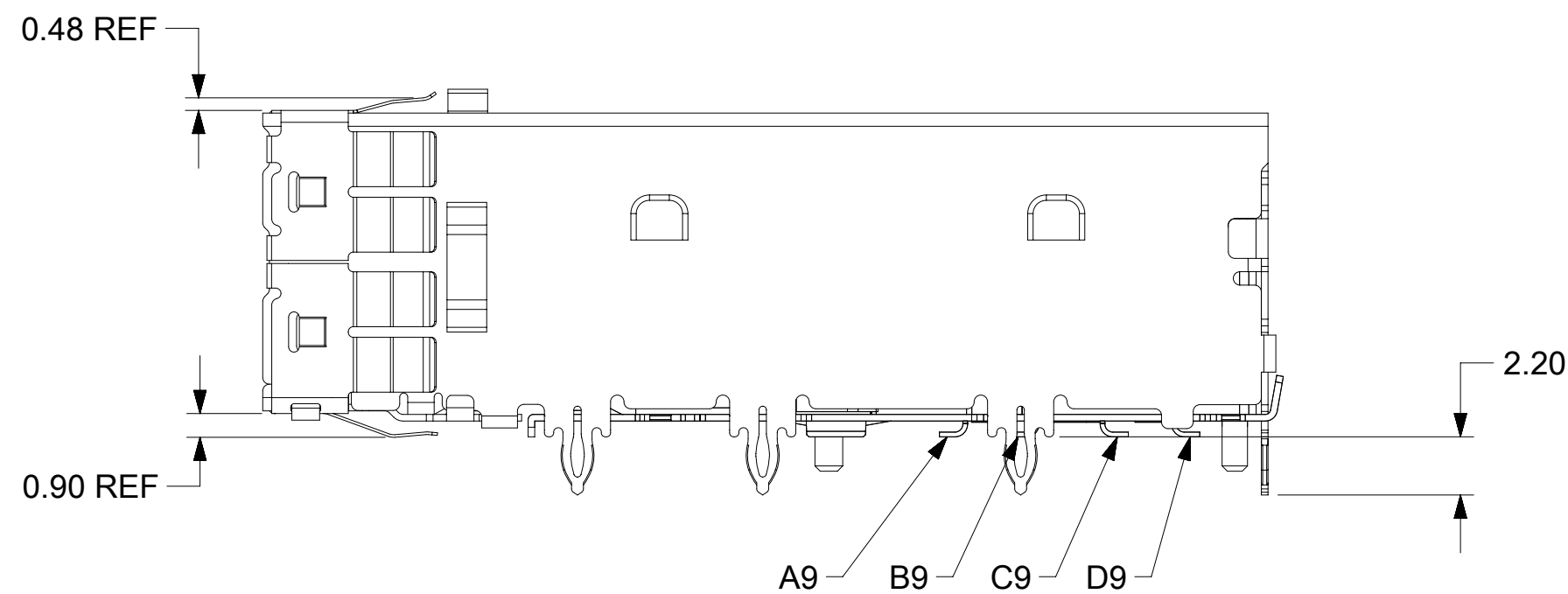
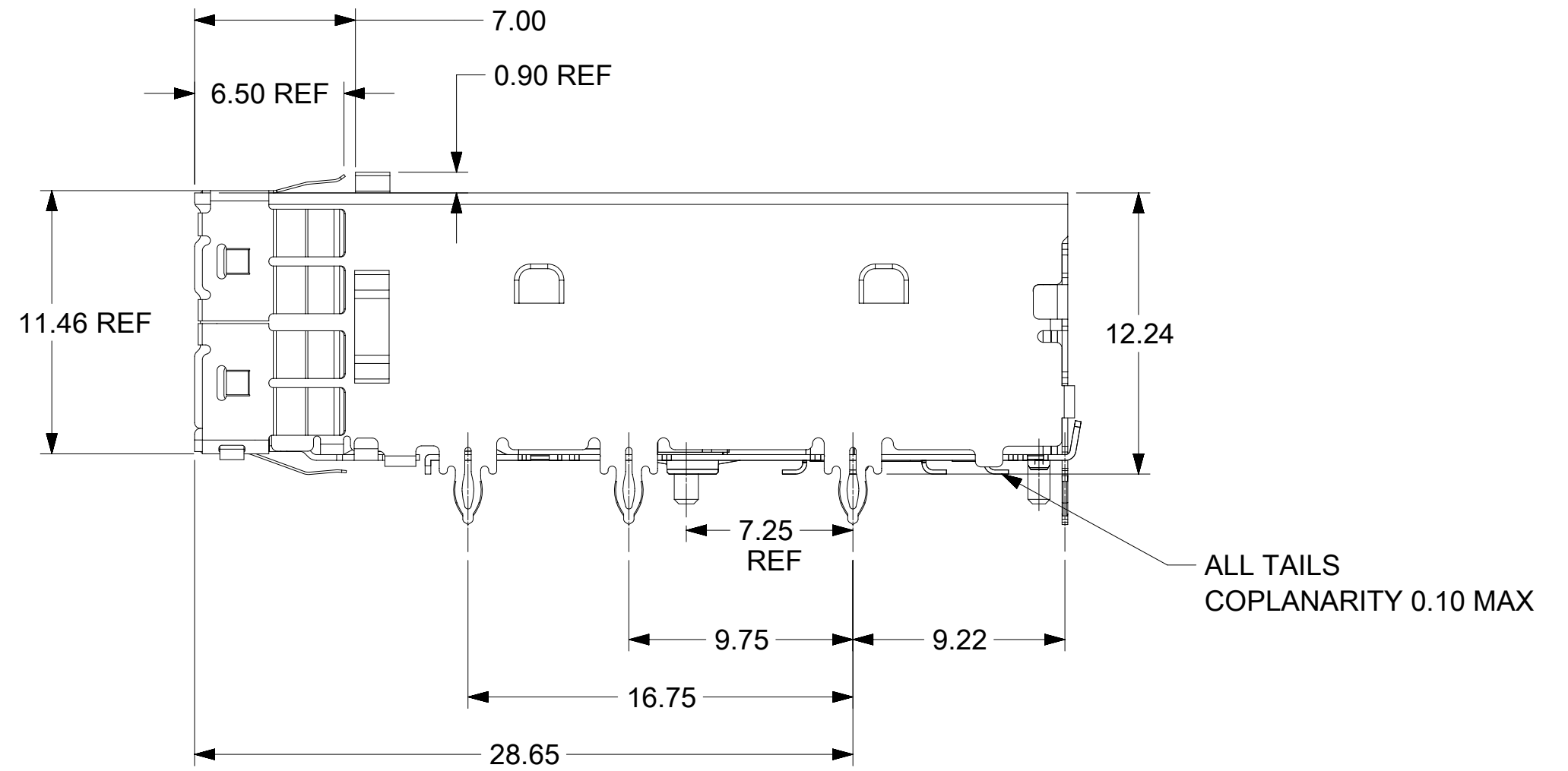
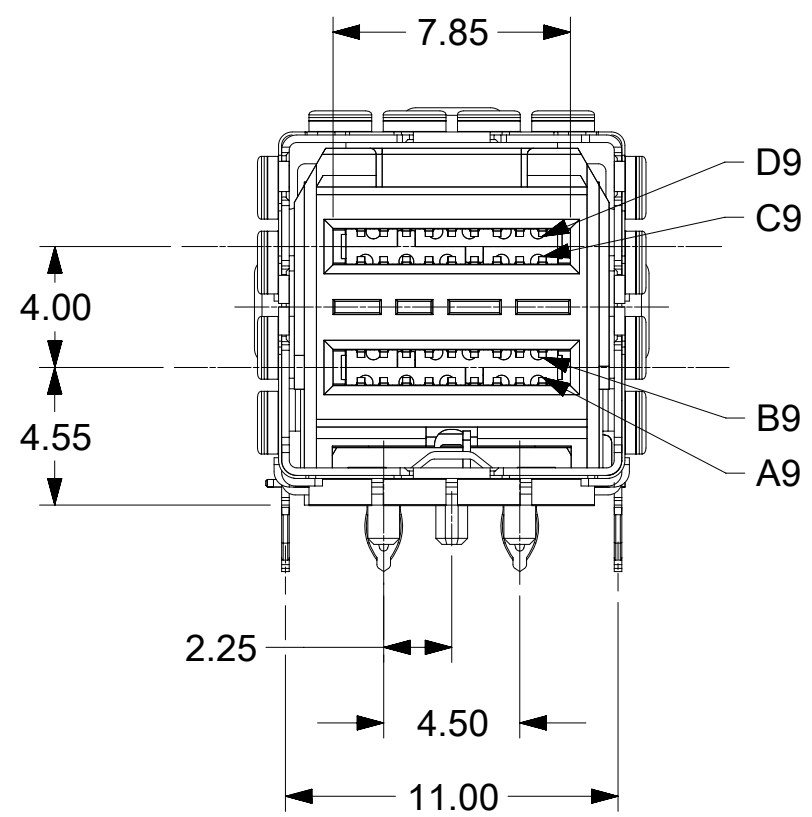


CONFIGURATION	MATERIAL NUMBER	
	CAGE	CONNECTOR WITH 3 PEG
1 x 1	1724735001	1724739995 (1X)
1 x 2	1724735002	1724739995 (2X)
1 x 4	1724735004	1724739995 (4X)

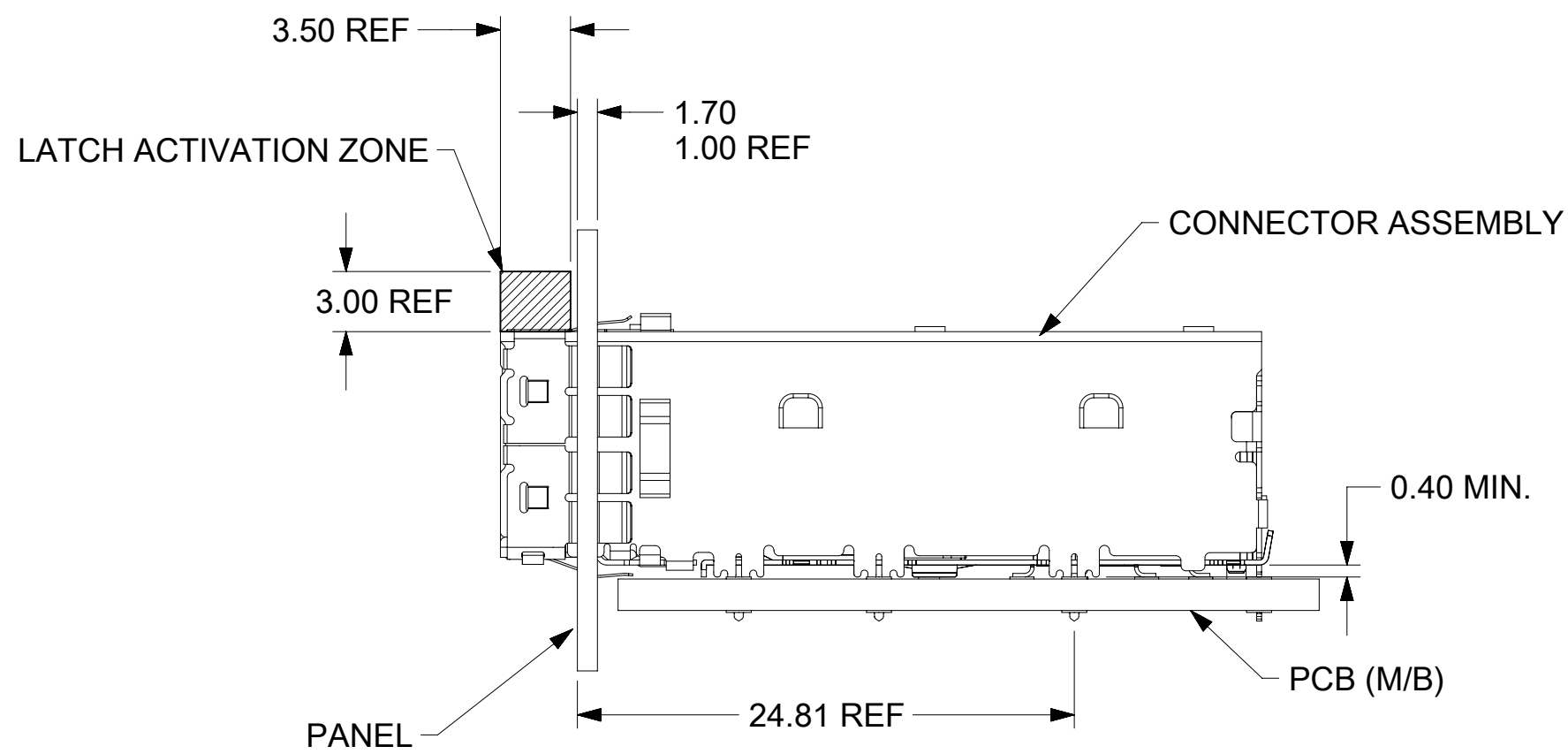
FUNCTIONAL SYMBOLS $\nabla_A = 0$ $\nabla_C = 0$ $\nabla_P = 0$ DIVISIONAL SYMBOLS	THIS DRAWING CONTAINS INFORMATION THAT IS PROPRIETARY TO MOLEX ELECTRONIC TECHNOLOGIES, LLC AND SHOULD NOT BE USED WITHOUT WRITTEN PERMISSION		CURRENT REV DESC:		
	DIMENSION UNITS	SCALE	EC NO: 733789		
	mm	3:1	DRWN: SUGEEB		
	GENERAL TOLERANCES (UNLESS SPECIFIED)		2023/01/03		
ANGULAR TOL ± °		CHK'D: GGA		IPASS RA SMT EXTERNAL SD	
4 PLACES ±		APPR: GGA		PRODUCT CUSTOMER DRAWING	
3 PLACES ± 0.1		INITIAL REVISION:		DOCUMENT NUMBER	
2 PLACES ± 0.15		DRWN: AKOLAK		1724731111	
1 PLACE ± 0.25		APPR: TMCLELLAND		DOC TYPE DOC PART REVISION	
0 PLACES ±		THIRD ANGLE PROJECTION		PSD 001 B6	
DRAFT WHERE APPLICABLE MUST REMAIN WITHIN DIMENSIONS		DRAWING C-SIZE		MATERIAL NUMBER CUSTOMER SHEET NUMBER	
		SERIES 172473		SEE TABLE GENERAL MARKET 1 OF 5	



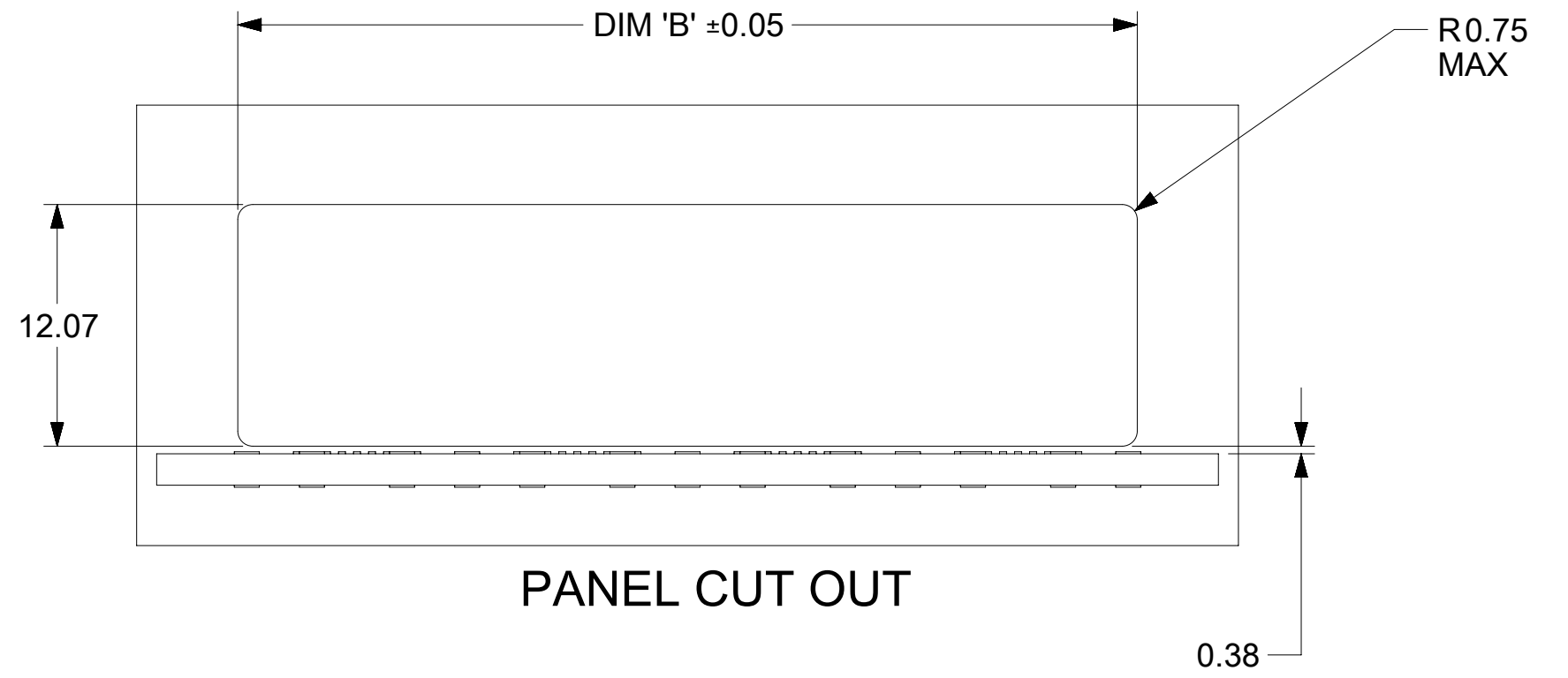
SHOWN 1X1 ASSEMBLY WITH 1724739995 CONNECTOR



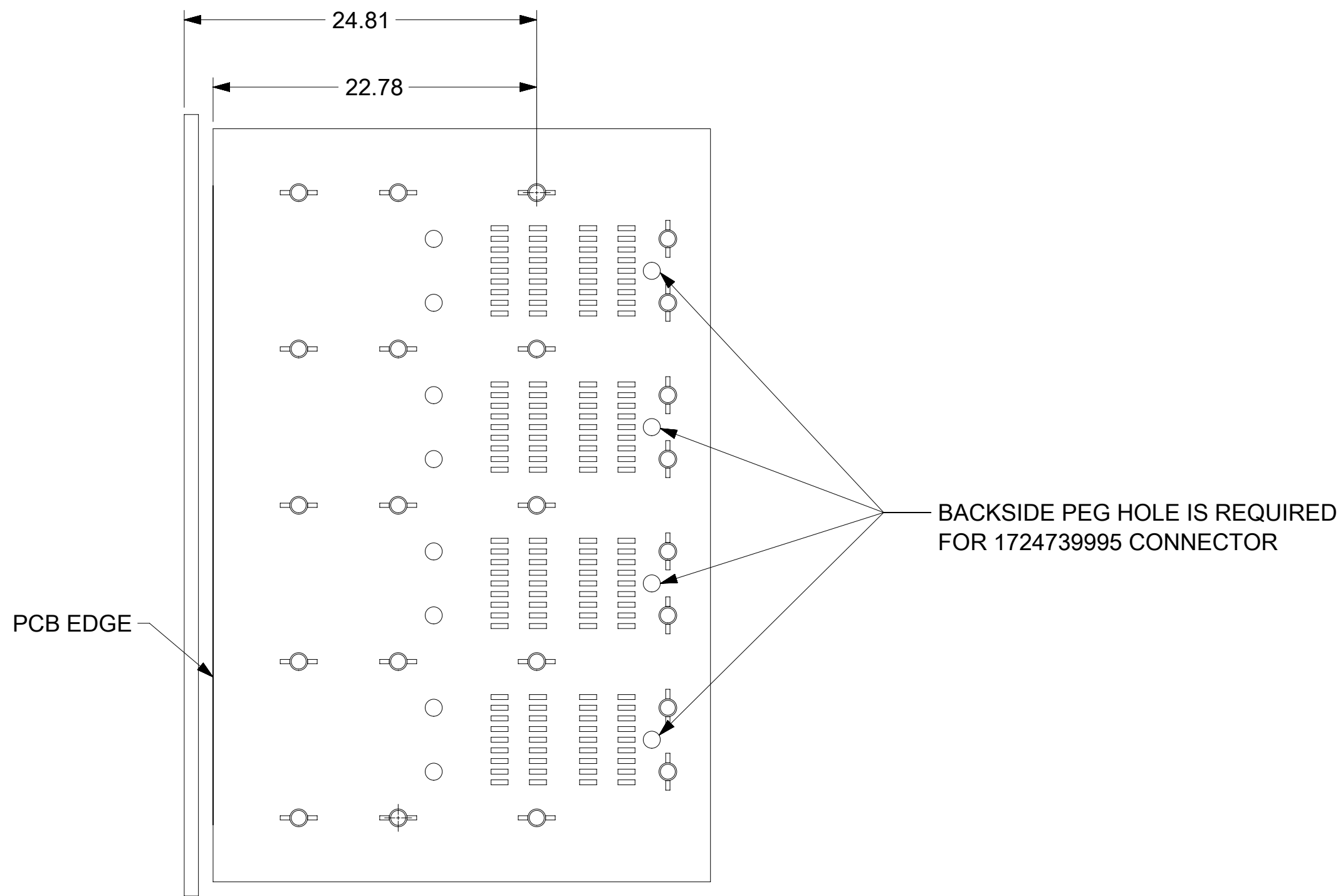
FUNCTIONAL SYMBOLS	THIS DRAWING CONTAINS INFORMATION THAT IS PROPRIETARY TO MOLEX ELECTRONIC TECHNOLOGIES, LLC AND SHOULD NOT BE USED WITHOUT WRITTEN PERMISSION		
	DIMENSION UNITS	SCALE	CURRENT REV DESC:
$\nabla_A = 0$	mm	4:1	EC NO: 733789 DRWN: SUGEEB CHK'D: GGA APPR: GGA
$\nabla_C = 0$	GENERAL TOLERANCES (UNLESS SPECIFIED)		
$\nabla_P = 0$	ANGULAR TOL ± °		2023/01/03
DIVISIONAL SYMBOLS	4 PLACES ±		2023/01/19
	3 PLACES ± 0.1		2023/01/19
	2 PLACES ± 0.15		2023/01/19
	1 PLACE ± 0.25		
0 PLACES ±			
DRAFT WHERE APPLICABLE MUST REMAIN WITHIN DIMENSIONS		THIRD ANGLE PROJECTION	DRAWING
			C-SIZE
		SERIES	172473
DOCUMENT STATUS		P1	RELEASE DATE
2023/01/19		04:51:45	
MATERIAL NUMBER		CUSTOMER	SHEET NUMBER
SEE TABLE		GENERAL MARKET	2 OF 5
DOCUMENT NUMBER		DOC TYPE	DOC PART
1724731111		PSD	001
INITIAL REVISION:		REVISION	B6
DRWN: AKOLAK		2017/11/10	
APPR: TMCLELLAND		2018/06/27	
<b>molex</b>			
IPASS RA SMT EXTERNAL SD			
PRODUCT CUSTOMER DRAWING			



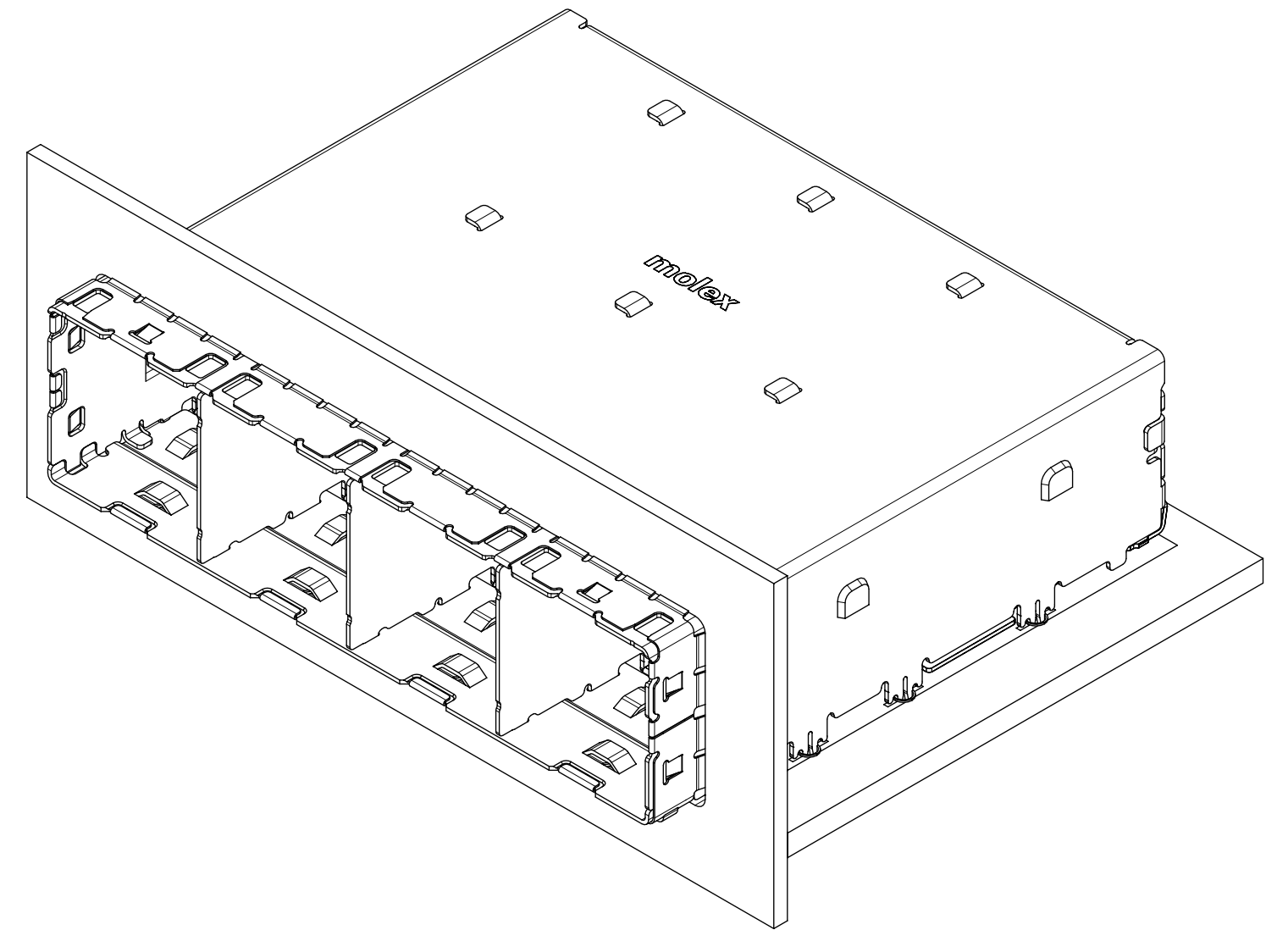
ASSEMBLED VIEW



PANEL CUT OUT



PCB TO PANEL VIEW



CONFIGURATION	DIM 'A' (MIN)	DIM 'B'
1 X 1	12.00.	11.90
1 X 2	23.00	22.90
1 X 4	45.00	44.90

THIS DRAWING CONTAINS INFORMATION THAT IS PROPRIETARY TO MOLEX ELECTRONIC TECHNOLOGIES, LLC AND SHOULD NOT BE USED WITHOUT WRITTEN PERMISSION											
FUNCTIONAL SYMBOLS		DIMENSION UNITS		SCALE		CURRENT REV DESC:					
FA = 0		mm		3:1		EC NO: 733789					
FC = 0		GENERAL TOLERANCES (UNLESS SPECIFIED)						DRWN: SUGEEB		2023/01/03	
FD = 0		ANGULAR TOL ± °						CHK'D: GGA		2023/01/19	
DIVISIONAL SYMBOLS		4 PLACES ±		°		APPR: GGA		2023/01/19		PRODUCT CUSTOMER DRAWING	
		3 PLACES ± 0.1				INITIAL REVISION:		2017/11/10		DOCUMENT NUMBER	
		2 PLACES ± 0.15				DRWN: AKOLAK		2018/06/27		1724731111	
		1 PLACE ± 0.25				APPR: TMCLELLAND				PSD 001 B6	
		0 PLACES ±				THIRD ANGLE PROJECTION		DRAWING		SHEET NUMBER	
		DRAFT WHERE APPLICABLE MUST REMAIN WITHIN DIMENSIONS				C-SIZE		SERIES		MATERIAL NUMBER	
						172473		GENERAL MARKET		SEE TABLE	

**molex**

IPASS RA SMT EXTERNAL SD

PRODUCT CUSTOMER DRAWING

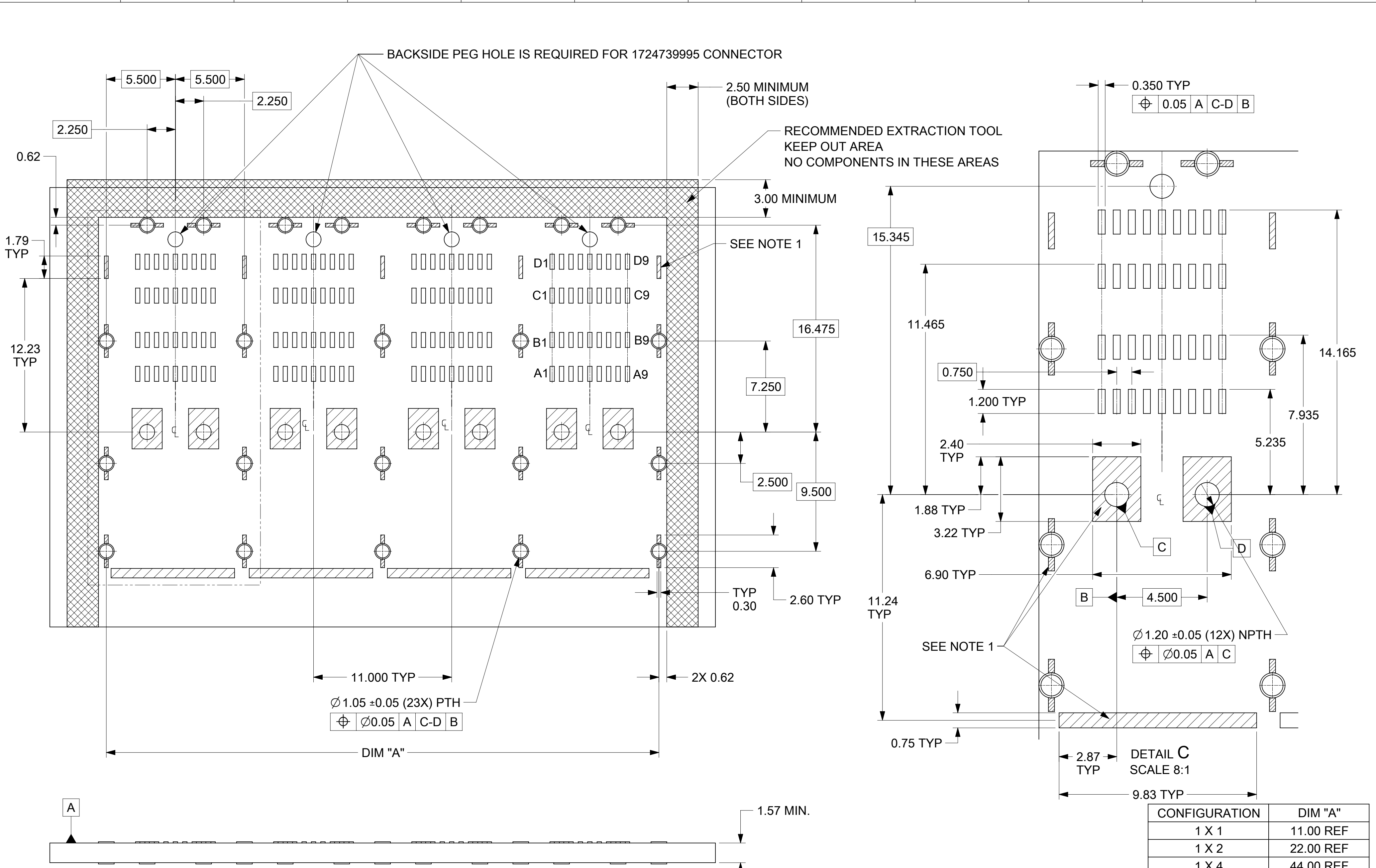
DOC TYPE DOC PART REVISION

1724731111 PSD 001 B6

CUSTOMER SHEET NUMBER

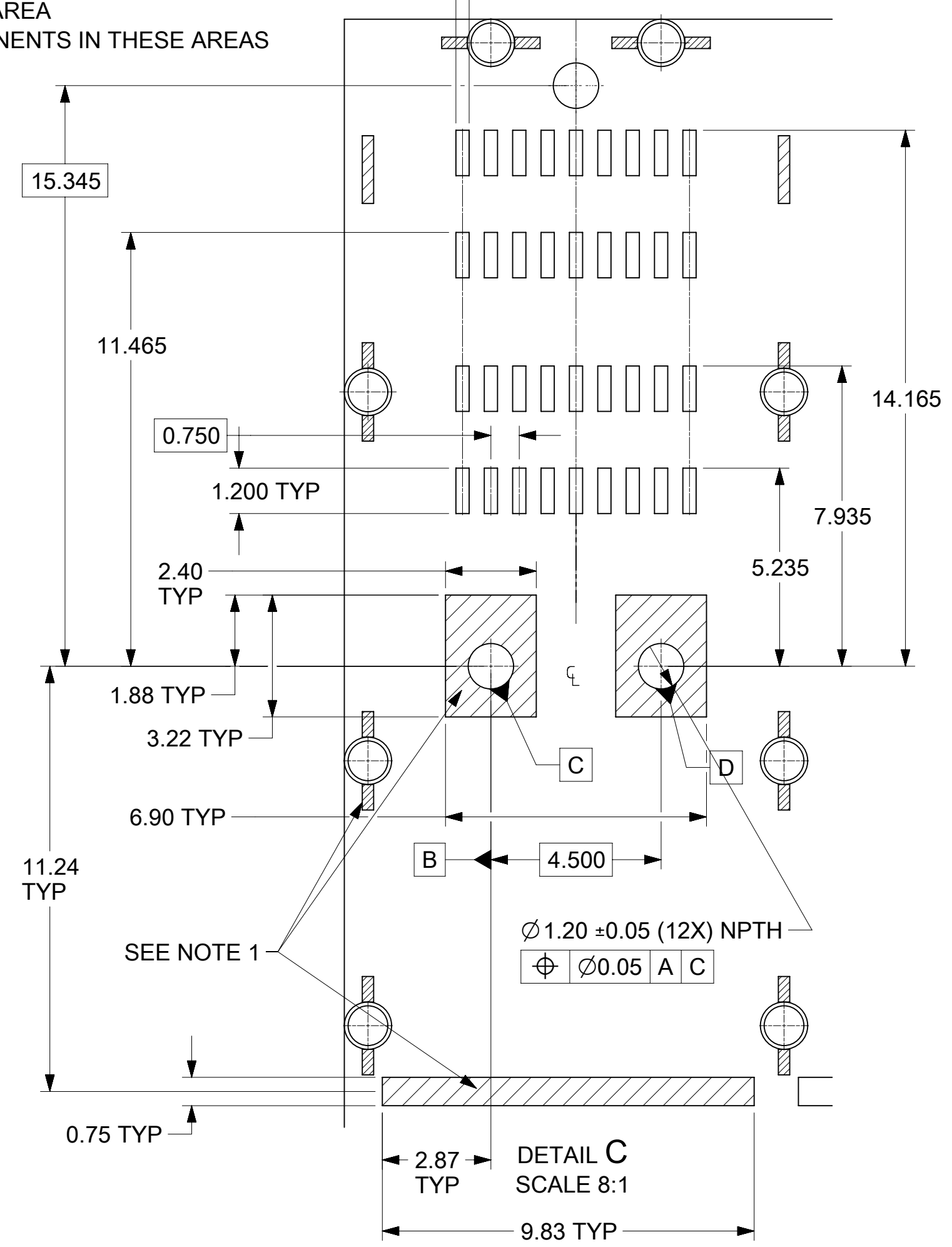
GENERAL MARKET 3 OF 5

DOCUMENT STATUS	P1	RELEASE DATE	2023/01/19	04:51:45
-----------------	----	--------------	------------	----------



SHOWN 1X4 RECOMMENDED FOOTPRINT


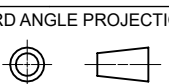
- NOTES:
- KEEP OUT ZONE: TRACES, VIAS AND COMPONENT ARE NOT ALLOWED ON SURFACE OF PCB IN THESE AREAS;
  - THE ENTIRE AREA UNDER THE CONNECTOR IS A COMPONENT KEEP OUT ZONE, THE DETAIL INFORMATION REFER TO SI ROUTING SPEC. 1724730100.



CONFIGURATION	DIM "A"
1 X 1	11.00 REF
1 X 2	22.00 REF
1 X 4	44.00 REF

FUNCTIONAL SYMBOLS		THIS DRAWING CONTAINS INFORMATION THAT IS PROPRIETARY TO MOLEX ELECTRONIC TECHNOLOGIES, LLC AND SHOULD NOT BE USED WITHOUT WRITTEN PERMISSION		CURRENT REV DESC:	
$\nabla_A = 0$	DIMENSION UNITS	SCALE			
$\nabla_C = 0$	mm	5:1			
$\nabla_P = 0$	GENERAL TOLERANCES (UNLESS SPECIFIED)				
DIVISIONAL SYMBOLS		ANGULAR TOL			
4 PLACES	±	°			
3 PLACES	±	0.1			
2 PLACES	±	0.15			
1 PLACE	±	0.25			
0 PLACES	±				
DRAFT WHERE APPLICABLE MUST REMAIN WITHIN DIMENSIONS		THIRD ANGLE PROJECTION	DRAWING	SERIES	MATERIAL NUMBER
			C-SIZE	172473	SEE TABLE
		EC NO: 733789		2023/01/03	
		DRWN: SUGEEB		2023/01/19	
		CHK'D: GGA		2023/01/19	
		APPR: GGA			
		INITIAL REVISION:			
		DRWN: AKOLAK		2017/11/10	
		APPR: TMCLELLAND		2018/06/27	
		DOCUMENT NUMBER		DOC TYPE	
		1724731111		PSD	
		CUSTOMER		DOC PART	
		GENERAL MARKET		001	
		SHEET NUMBER		REVISION	
		4 OF 5		B6	

DATE	VERSION	DESCRIPTION
2021/11/16	B3	1. UPDATE THE DEFINITION OF DATUM A AND DATUM B ON PCB; 2. ADDED NEW 3 PEG 1724739995 CONNECTOR INFORMATION
2022/04/12	B5	1. UPDATE TOP SURFANCE KEEP OUT AREA; 2.CANCEL REPEAT SHOWN PAGE.
2023/01/03	B6	1. REMOVED OBSOLETED PART 1724736001 2 PEG CONNECTOR.

FUNCTIONAL SYMBOLS										THIS DRAWING CONTAINS INFORMATION THAT IS PROPRIETARY TO MOLEX ELECTRONIC TECHNOLOGIES, LLC AND SHOULD NOT BE USED WITHOUT WRITTEN PERMISSION															
DIMENSION UNITS		SCALE		CURRENT REV DESC:										 <p>IPASS RA SMT EXTERNAL SD</p> <p>PRODUCT CUSTOMER DRAWING</p>											
mm		1:1		EC NO: 733789																					
GENERAL TOLERANCES (UNLESS SPECIFIED)										DRWN: SUGEEB 2023/01/03															
ANGULAR TOL ± °										CHK'D: GGA 2023/01/19															
DIVISIONAL SYMBOLS		3 PLACES ± 0.1		APPR: GGA 2023/01/19										DOCUMENT NUMBER						DOC TYPE		DOC PART		REVISION	
		2 PLACES ± 0.15		INITIAL REVISION:										1724731111						PSD		001		B6	
		1 PLACE ± 0.25		DRWN: AKOLAK 2017/11/10										MATERIAL NUMBER						CUSTOMER		SHEET NUMBER			
		0 PLACES ±		APPR: TMCLELLAND 2018/06/27										SEE TABLE						GENERAL MARKET		5 OF 5			
DRAFT WHERE APPLICABLE MUST REMAIN WITHIN DIMENSIONS										THIRD ANGLE PROJECTION		DRAWING		SERIES		MATERIAL NUMBER		CUSTOMER		SHEET NUMBER					
												C-SIZE		172473		SEE TABLE		GENERAL MARKET		5 OF 5					